

CLEANER 15™

Rotational Thrombectomy System

English - All directions should be read before use

	pages
Directions For Use in Peripheral Vasculature	1-4
Directions For Use in Grafts and Fistulae	5-6

DEVICE DESCRIPTION:

The CLEANER 15™ Rotational Thrombectomy System is a 7Fr percutaneous catheter based system (single piece construction). A disposable, hand-held battery operated rotator drive unit is attached to a sinusoid wire which rotates at approximately 4000 RPM. The wire and atraumatic soft tip are radiopaque for fluoroscopic visualization.

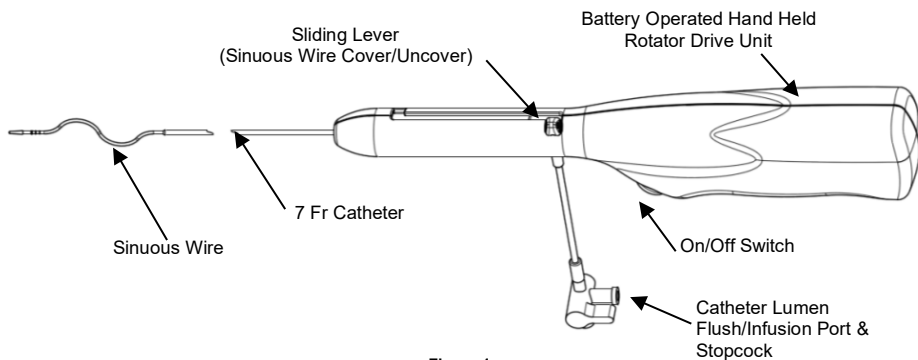


Figure 1

INDICATIONS FOR USE:

The CLEANER 15™ Rotational Thrombectomy System is indicated for mechanical declotting and controlled and selective infusion of physician-specified fluids, including thrombolytics, in the peripheral vasculature.

CONTRAINDICATIONS:

The CLEANER 15™ Rotational Thrombectomy System is contraindicated in the following:

- This system is contraindicated when, in the medical judgment of the physician, such a procedure may compromise the patient's condition.
- Not designed for peripheral vasculature dilation purposes.
- This system is not intended for the infusion of blood or blood products.
- Refer to the product insert of the therapeutic solution of choice for indications, contraindications, side effects, and precautions.
- In native vessels smaller than 6mm in diameter
- In patients without a vascular filter such as an inferior vena cava filter.

Peripheral Vasculature

WARNINGS AND PRECAUTIONS:

- Prior to use, read all package insert warnings, precautions, and instructions. Failure to do so may result in severe patient injury and death.
- These procedures should only be performed by physicians and staff familiar with the equipment and techniques involved. The device has been sterilized by EtO and is sterile unless the package is opened or damaged. The package should be examined before use; if damaged, DO NOT USE. The device is intended for single patient use only; DO NOT REUSE OR RE-STERILIZE.
- Prior to use, carefully examine the CLEANER 15™ Rotational Thrombectomy System to verify that it has not been damaged during shipment. If the product components show any sign of damage, DO NOT USE.
- Due to the risk of exposure to HIV (Human Immunodeficiency Virus) or other blood borne pathogens, health care workers should routinely use universal blood and body fluid precautions in the care of all patients. Sterile technique must be strictly adhered to during any handling of the device.
- Do not advance if resistance is met without first determining the cause of resistance under fluoroscopy and taking any necessary remedial action. Excessive force against resistance may result in damage to the device or vasculature.
- Prior to introduction, and anytime the CLEANER 15™ is removed from the vascular system, the catheter should be flushed.
- If the catheter or guidewire becomes kinked or otherwise damaged during use, discontinue use and replace.
- Practitioners must be aware of potential complications associated with peripheral vasculature thrombolysis including:
 - Vessel perforation or rupture
 - Vessel spasm
 - Hematoma
 - Sepsis/Infection
 - Intimal disruption
 - Vascular thrombosis
 - Allergic reaction to contrast medium
 - Thromboembolic episodes
 - Distal embolization of blood clots
 - Hemorrhage
 - Pain and tenderness
 - Thrombophlebitis
 - Arterial dissection
 - Drug reactions
 - Arteriovenous fistula
 - Amputation
- Potential fatigue failure of the CLEANER 15™ sinuous wire may occur with prolonged activation of the CLEANER 15™ device. A withdrawal rate of 1-2 cm/second is recommended when sharp radii are encountered (i.e. radius of a loop graft or fistula, radii < 3 cm).

A SUGGESTED PROCEDURE:

Use sterile technique.

Patient Preparation:

1. Premedicate with appropriate anxiolytic, analgesic and/or antibiotic per hospital protocol.

Device Performance Testing:

2. Remove the CLEANER 15™ Rotational Thrombectomy System from the package. Press the ON/OFF switch to ensure that the sinuous wire spins freely (refer to Figure 2). Release the switch to stop the rotator. **Precaution: Do not use the device if it does not activate immediately when the switch is pressed, and deactivate immediately when the switch is released.**

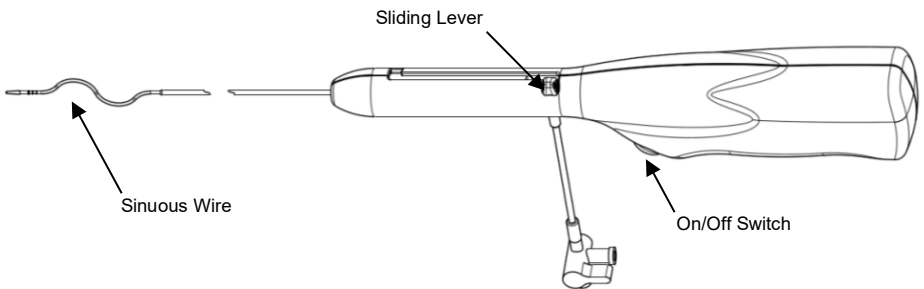


Figure 2

3. Attach a syringe of therapeutic agent or heparinized saline to the catheter flush port and flush the CLEANER 15™ catheter. Be sure that fluid exits from the most distal catheter hole which is located near the end of the catheter. Close the stopcock to "lock" the therapeutic agent or heparin in the catheter and remove the syringe.

Treatment:

The exact treatment procedure is to be determined by the physician. The following option describes how the procedure may be performed.

Peripheral Vasculature

4. Complete the procedure under continuous fluoroscopy. Do not initiate sinus wire rotation (device activation) unless proper device positioning is confirmed within the peripheral vasculature.
5. Prepare and drape the puncture site as required.
6. Administer local anesthetic at the puncture site for venous sheath insertion.
7. Select an appropriately sized sheath to accommodate the CLEANER 15™ catheter and other devices/ catheters that may be used during the procedure. Maximum guidewire size will be dependent upon the introducer sheath/dilator assembly chosen. If crossing the iliac bifurcation, a long reinforced sheath should be used.
8. Prepare and place the venous introducer sheath per hospital protocol. The venous sheath should be placed in the venous limb of the peripheral vasculature, and directed toward the treatment site. The venous sheath placement can be optional depending on the clot burden in the vessel.
9. Place the device in the covered position by pushing the sliding lever to the distal position and rotating the sliding lever to lock in the covered position (refer to Figure 3). When in the covered position, only the flexible tip of the sinus wire should extend from the catheter. **Warning: The device should not be activated in the covered position.**
10. Support the flexible tip between the thumb and index finger during insertion through the sheath valve. Insert the covered device through the venous sheath and into the venous limb of the peripheral vasculature.
11. Attach a 10cc syringe containing the therapeutic agent intended for infusion to the stopcock. Open the stopcock to enable flow. **Warning: Do not draw blood back into the catheter.**

Note: Follow the manufacturer's instructions regarding reconstitution and dilution of specified fluids.

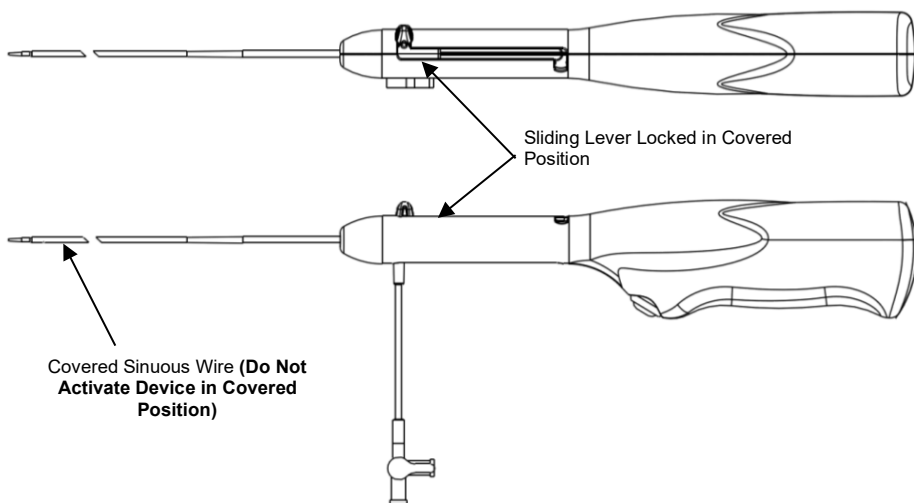


Figure 3

12. Advance the flexible tip up to the distal most extent of the clot. Uncover the sinus wire by unlocking, fully retracting the sliding lever and rotating the sliding lever until an audible "click" is heard (refer to Figure 4). Confirm device positioning within the treatment site via fluoroscopy. Press the ON/OFF switch to activate rotation.

Peripheral Vasculature

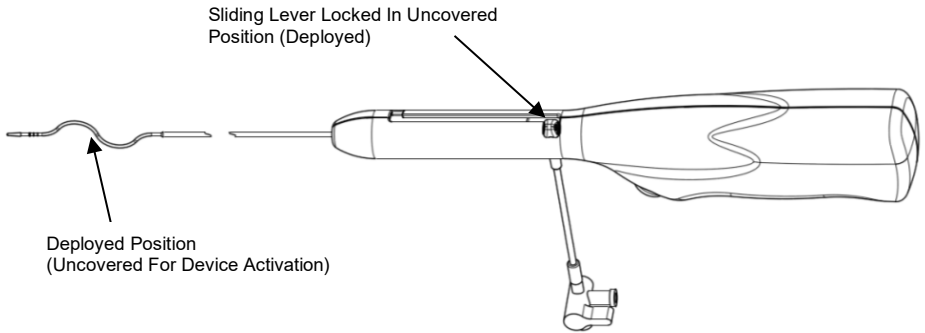


Figure 4

13. With the device activated, slowly withdraw the rotating sinusoidal wire along the treatment site while infusing therapeutic agent through the infusion port to break up the clot. **Warning: A withdrawal rate of 1-2 cm/second is recommended when sharp radii are encountered.** When the sinusoidal wire reaches the tip of the venous sheath, release the switch to turn off the rotating dispersion wire.
14. Cover the device and remove it from the peripheral vasculature. Flush the catheter lumen with heparinized saline and manually remove any accumulated fibrin from the sinusoidal wire.
15. Aspirate the macerated clot via the sheath and discard the aspirate. **Precaution: Continued unsuccessful aspiration may collapse the sheath and vessel.**
16. Inject a small amount of contrast via the venous sheath to assess the degree of thrombus removal accomplished. **Warning: Avoid over-injection of contrast to minimize the risk of embolization.** Treat the residual thrombus by repeating steps 11-15 until acceptable thrombus removal is achieved.
17. When the thrombus removal is complete, treat any underlying disease or stenosis per hospital protocol.
18. Perform the final angiogram.
19. Remove the sheaths from the peripheral vasculature.
20. Achieve hemostasis at the puncture site(s) per hospital protocol.

Grafts and Fistulae

INDICATIONS FOR USE:

The CLEANER 15™ Rotational Thrombectomy System is indicated for mechanical declotting of native vessel dialysis fistulae and synthetic dialysis access grafts.

CONTRAINDICATIONS:

The CLEANER 15™ Rotational Thrombectomy System is contraindicated in the following:

- When in the medical judgment of the physician, such a procedure may compromise the patient's condition.
- In native vessels smaller than 6mm in diameter
- Existing hemodialysis access site infection.
- Immature native vessel dialysis fistulae (fistulae that have not been used for at least one hemodialysis treatment).

WARNINGS AND PRECAUTIONS:

- Prior to use, read all package insert warnings, precautions, and instructions. Failure to do so may result in severe patient injury and death.
- These procedures should only be performed by physicians and staff familiar with the equipment and techniques involved. The device has been sterilized by EIO and is sterile unless the package is opened or damaged. The package should be examined before use; if damaged, DO NOT USE. The device is intended for single patient use only; DO NOT REUSE OR RE-STERILIZE.
- Prior to use, carefully examine the CLEANER 15™ Rotational Thrombectomy System to verify that it has not been damaged during shipment. If the product components show any sign of damage, DO NOT USE.
- Due to the risk of exposure to HIV (Human Immunodeficiency Virus) or other blood borne pathogens, health care workers should routinely use universal blood and body fluid precautions in the care of all patients. Sterile technique must be strictly adhered to during any handling of the device.
- Practitioners must be aware of potential complications associated with dialysis fistula and graft thrombolysis including:
 - Hemorrhage
 - Symptomatic pulmonary embolism
 - Arterial embolization
 - Allergic reaction to contrast media
 - Pseudoaneurysm
 - Pain and/or tenderness
 - Vessel tear or disruption
 - Infection
 - Perforation of the artery or vein
 - Hematoma
 - Death
- Caution should be used when dislodging the plug at the arterial anastomosis to minimize the risk of arterial embolization.
- Due to the lack of excretion associated with hemodialysis patients, use of contrast should be kept to a minimum throughout this procedure.
- Potential fatigue failure of the CLEANER 15™ sinuous wire may occur with prolonged activation of the CLEANER 15™ device. A withdrawal rate of 1-2 cm/second is recommended when sharp radii are encountered (i.e. radius of a loop graft or fistula, radii < 3 cm).

A SUGGESTED PROCEDURE:

Use sterile technique.

Patient Preparation:

1. Premedicate with appropriate anxiolytic, analgesic and/or antibiotic per hospital protocol.

Device Performance Testing:

2. Remove the CLEANER 15™ Rotational Thrombectomy System from the package. Press the ON/OFF switch to ensure that the sinuous wire spins freely (refer to Figure 2). Release the switch to stop the rotator. **Precaution: Do not use the device if it does not activate immediately when the switch is pressed, and deactivate immediately when the switch is released.**
3. Flush the CLEANER 15™ catheter with heparinized saline through the catheter lumen flush port. Return the stopcock to the off position prior to operation.

Thrombolysis Procedure:

4. Complete the CLEANER 15™ thrombolysis procedure under continuous fluoroscopy. Do not initiate sinuous wire rotation (device activation) unless proper device positioning is confirmed within the fistula or graft.
5. Prepare and drape the puncture site as required.
6. Administer local anesthetic at the puncture site for venous sheath insertion.
7. Select an appropriately sized sheath to accommodate the CLEANER 15™ catheter and other devices/ catheters that may be used during the procedure. Maximum guidewire size will be dependent upon the introducer sheath/dilator assembly chosen.
8. Prepare and place the venous introducer sheath per hospital protocol. The venous sheath should be placed in the venous limb of the graft, and directed toward the venous anastomosis. In fistulae, the venous sheath placement can be optional depending on the clot burden in the vessel. If a venous sheath is used, it should be placed in the venous limb of the fistula and directed toward the central venous outflow. Note: If no venous sheath is used in the AV fistula, then go to step 16.

Grafts and Fistulae

9. Place the device in the covered position by pushing the sliding lever to the distal position and rotating the sliding lever to lock in the covered position (refer to Figure 3). When in the covered position, only the flexible tip of the sinuous wire should extend from the catheter. The device should not be activated in the covered position.
10. Support the flexible tip between the thumb and index finger during insertion through the sheath valve. Insert the covered device through the venous sheath and into the venous limb of the fistula or graft.
11. In a graft, advance the flexible tip up to the venous anastomosis. **Warning: Do not advance it beyond the anastomosis.** In a fistula, advance the flexible tip up to the central most extent of the clot. Uncover the sinuous wire by unlocking, fully retracting the sliding lever and rotating the sliding lever until an audible "click" is heard (refer to Figure 4). Confirm device positioning within the fistula or graft via fluoroscopy. Press the ON/OFF switch to activate rotation.
Note: Caution should be taken while uncovering the wire to avoid advancing the wire into the clot and past the anastomosis.
12. With the device activated, slowly withdraw the rotating sinuous wire along the graft or fistula to break up the clot. **Warning: A withdrawal rate of 1-2 cm/second is recommended when sharp radii are encountered.** When the sinuous wire reaches the tip of the venous sheath, release the switch to turn off the rotator.
13. Cover the device and remove it from the graft or fistula. Flush the catheter lumen with heparinized saline and manually remove any accumulated fibrin from the sinuous wire.
14. Aspirate the macerated clot via the sheath and discard the aspirate. **Precaution: Continued unsuccessful aspiration may collapse the sheath and graft/fistula.**
15. Inject a small amount of contrast via the venous sheath to assess the degree of thrombus removal accomplished. **Warning: Avoid over-injection of contrast to minimize the risk of arterial embolization.** Treat the residual thrombus by repeating steps 11-14 until acceptable thrombus removal is achieved.
16. Administer local anesthetic at the puncture site for arterial sheath insertion. Prepare and place the arterial introducer sheath per hospital protocol. The arterial sheath should be directed toward the arterial anastomosis. **Precaution: The arterial and venous sheath tips must not overlap.**
17. Support the flexible tip between the thumb and index finger during insertion through the sheath valve. Insert the covered device through the arterial sheath into the arterial limb of the fistula or graft.
18. In a graft, advance the flexible tip up to the arterial anastomosis. **Warning: Do not advance it beyond the anastomosis.** In a fistula, advance the flexible tip up to the central most extent of the clot. Uncover the sinuous wire by unlocking, fully retracting the sliding lever and rotating the sliding lever until an audible "click" is heard. Confirm device positioning within the fistula or graft via fluoroscopy. Press the ON/OFF switch to activate rotation.
19. With the device activated, slowly withdraw the rotating sinuous wire, in the uncovered position, along the graft or fistula to break up the clot. **Warning: A withdraw rate of 1-2 cm/second is recommended when sharp radii are encountered.** When the sinuous wire reaches the tip of the arterial sheath, release the switch to turn off the rotator.
20. Cover the device and remove it from the graft or fistula. Flush the catheter lumen with heparinized saline and manually remove any accumulated fibrin from the sinuous wire.
21. Aspirate the macerated clot using either sheath and discard the aspirate. **Precaution: Continued unsuccessful aspiration may collapse the sheath and graft/fistula.**
22. Pass an appropriate catheter through the arterial sheath, and carefully feed it past the arterial anastomosis of the graft or fistula. Inflate the balloon, if it is a balloon catheter. Pull the arterial plug into the middle of the arterial limb. Deflate the balloon and remove the balloon catheter.
23. Reinsert the covered CLEANER 15™ device through the arterial sheath into the arterial limb of the graft or fistula.
24. Uncover the sinuous wire and activate the device to break up the arterial plug, using contrast to guide maceration.
25. Cover the device and remove it from the graft or fistula. Flush the catheter lumen with heparinized saline and manually remove any accumulated fibrin from the sinuous wire.
26. Aspirate the macerated clot via the sheath and discard the aspirate.
27. Inject contrast to assess the degree of thrombus removal. Treat any residual thrombus using the CLEANER 15™ via either sheath, as needed.
28. When the thrombus removal is complete, treat any underlying disease or stenosis per hospital protocol.
29. Perform the final fistulogram.
30. Remove the sheaths from the fistula or graft.
31. Achieve hemostasis at the puncture site(s) per hospital protocol.

WARNING:

For single use only. Do not reuse, reprocess or re-sterilize. Reuse, reprocessing or re-sterilization may compromise the structural integrity of the device and/or lead to device failure which in turn may result in patient injury, illness or death. Reuse, reprocessing or re-sterilization may also create a risk of contamination of the device and/or cause patient infection or cross-infection, including, but not limited to, the transmission of infectious disease(s) from one patient to another. Contamination of the device may lead to injury, illness or death of the patient.

STORAGE:

Store at controlled room temperature. Do not expose to organic solvents, ionizing radiation or ultraviolet light.

DISPOSAL:

Dispose of the catheter system in accordance with the Waste Electrical and Electronic Equipment Directive (WEEEED) and according to the standard institutional procedures for medical waste including single-use, blood contacting devices.

DISCLAIMER OF WARRANTY AND LIMITATION OF REMEDY:

There is no express or implied warranty, including without limitation and implied warranty of merchantability or fitness for a particular purpose, on the Argon Medical product(s) described in this publication. Under no circumstances shall Argon Medical be liable for any direct, incidental or consequential damages other than as expressly provided by specific law. No person has the authority to bind Argon Medical to any representation or warranty except as specifically set forth herein.

Descriptions or specifications in Argon Medical printed matter, including this publication, are meant solely to generally describe the product at the time of manufacture and do not constitute any express warranties.

Argon Medical will not be responsible for any direct, incidental or consequential damages from reuse of the product.



MEDICAL — GENERAL MEDICAL EQUIPMENT
AS TO ELECTRICAL SHOCK, FIRE AND MECHANICAL HAZARDS ONLY
IN ACCORDANCE WITH IEC60601-1 3rd Ed. & CAN/CSA-C22.2
NO. 60601.1 (2008), AAMI ES 60601-1:2008
4CR3



The symbols glossary is located electronically at www.argonmedical.com/symbols



EMERGO EUROPE
Westervoortsedijk 60
6827 AT Arnhem
The Netherlands
+31 70 345 8570



ARGON MEDICAL DEVICES, INC.
1445 Flat Creek Road
Athens, Texas 75751 USA
Tel: +1 (903) 675 9321
Tel: +1 (800) 927 4669
www.argonmedical.com



Emergo Consulting (UK) Limited
c/o Cr 360 - UL International
Compass House, Vision Park Histon
Cambridge CB24 9BZ
United Kingdom

CLEANER 15™

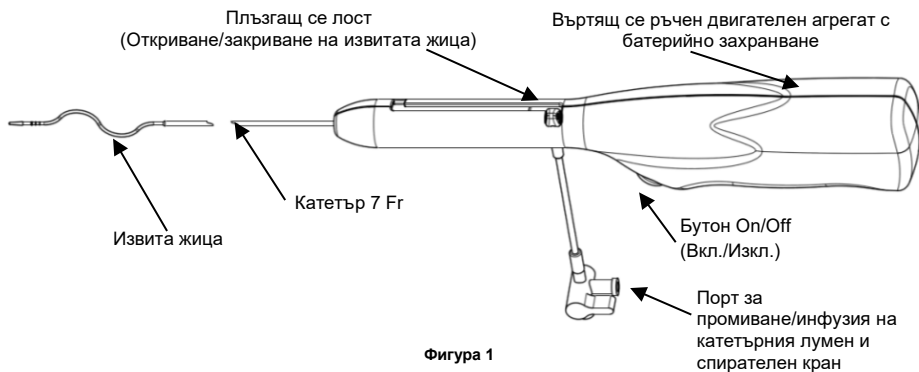
Rotational Thrombectomy System

Bulgarian - Преди употреба всички указания трябва да се прочетат

	страници
Указания за употреба в периферната васкулатура	1-4
Указания за употреба при графтове и фистули	5-6

ОПИСАНИЕ НА ИЗДЕЛИЕТО:

Системата за ротационна тромбектомия CLEANER 15™ е 7Fr перкутанна система, базирана на катетър (единична конструкция). Въртящ се ръчен двигателен агрегат за еднократна употреба, задвижван от батерия, е свързан към извита жица, която се върти при приблизително 4000 оборота в минута. Жичата и атраматичният мек връх са рентгеноконтрастни за флуороскопска визуализация.



ПОКАЗАНИЯ ЗА УПОТРЕБА:

Системата за ротационна тромбектомия CLEANER 15™ е предназначена за механично отстраняване на съсиреци и контролирана и селективна инфузия на определени от лекар течности, включително тромболитици, в периферната васкулатура.

ПРОТИВОПОКАЗАНИЯ:

Системата за ротационна тромбектомия CLEANER 15™ е противопоказна в следните случаи:

- Системата е противопоказна когато, по медицинска преценка на лекаря, подобна процедура може да увреди състоянието на пациента.
- Не е предназначена за дилатация на периферната васкулатура.
- Тази система не е предназначена за преливане на кръв или кръвни продукти.
- Вижте листовката на продукта на избрания терапевтичен разтвор за показания, противопоказания, странични ефекти и предпазни мерки.
- В нативни съдове с диаметър, по-малък от 6 мм
- При пациенти без васкуларен филтър, като филтър на долна вена кава.

Периферна васкулатура

ПРЕДУПРЕЖДЕНИЯ И ПРЕДПАЗНИ МЕРКИ:

- Преди употреба прочетете всички предупреждения, предпазни мерки и инструкции от листовката. В противен случай може да се стигне до сериозно нараняване и смърт на пациента.
- Тези процедури трябва да се извършват само от лекари и персонал, запознати с оборудването и прилаганата техника. Устройството е стерилизирано с EtO и е стерилно, освен ако опаковката е отворена или повредена. Опаковката трябва да бъде разгледана преди употреба; ако е повредена, **ДА НЕ СЕ ИЗПОЛЗВА**. Устройството е предназначено за употреба само при един пациент; **ДА НЕ СЕ ИЗПОЛЗВА ПОВТОРНО И ДА НЕ СЕ СТЕРИЛИЗИРА ПОВТОРНО**.
- Преди употреба внимателно разгледайте системата за ротационна тромбектомия CLEANER 15™, за да се уверите, че не е била повредена по време на транспортиране. Ако компонентите на продукта показват каквито и да било признаци на повреда, **ДА НЕ СЕ ИЗПОЛЗВА**.
- Поради риска от излагане на HIV (човешки имунодефицитен вирус) или други пренасяни по кръвен път патогени, здравните работници следва да използват рутинно универсалните предпазни мерки за работа с кръв и телесни течности при грижите за всички пациенти. При всяко боравене с устройството трябва да се спазва стриктно стерилна техника.
- Ако усещате съпротивление, не придвижвайте напред, преди първо да определите причината за съпротивлението под флуороскопия и преди да са предприети всички необходими коригиращи действия. Прекомерна сила при съпротивление може да доведе до повреда на устройството или увреждане на васкулатурата.
- Преди въвеждане и винаги, когато CLEANER 15™ се изважда от васкуларната система, катетърът трябва да се промива.
- Ако катетърът или водещата жица се изкривят или повредят по друг начин по време на употреба, преустановете използването им и ги подменете.
- Лекарите трябва да са наясно с потенциалните усложнения, свързани с тромболизата на периферната васкулатура, включително:
 - Перфорация или руптура на съда
 - Спазъм на съдовете
 - Хематом
 - Сепсис/инфекция
 - Разрушаване на интимата
 - Съдова тромбоза
 - Алергична реакция към контрастното вещество
 - Тромбоемболични епизоди
 - Дистална емболизация на кръвни съсиреци
 - Кръвоизлив
 - Болка и чувствителност
 - Тромбофлебит
 - Разрязване на артерията
 - Лекарствени реакции
 - Артериовенозна фистула
 - Ампутация
- При продължителна активация на устройството CLEANER 15™ може да настъпи потенциална повреда поради умора на извитата жица на CLEANER 15™. Препоръчва се скорост на изтегляне от 1-2 см/секунда при откриване на ясно очертани радиуси (напр. радиуси на затворен графт или фистула, радиус < 3 см).

ПРЕДЛОЖЕНА ПРОЦЕДУРА:

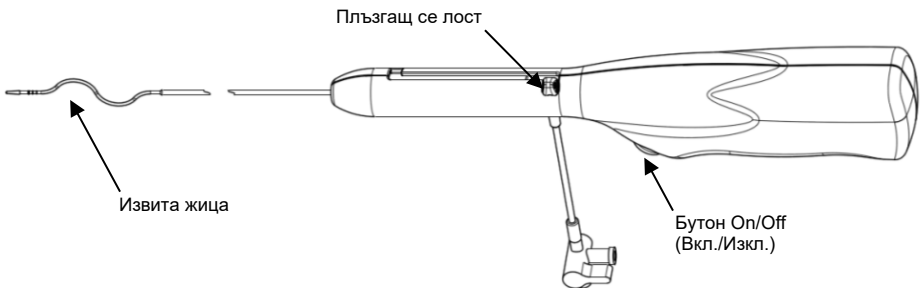
Използвайте стерилна техника.

Подготовка на пациента:

1. Направете премедикация с подходящ седатив, аналгетик и/или антибиотик съгласно болничния протокол.

Тестване на работата на устройството:

2. Извадете системата за ротационна тромбектомия CLEANER 15™ от опаковката. Натиснете бутона ON/OFF (Вкл./Изкл.), за да се уверите, че извитата жица се върти свободно (вижте фигура 2). Отпуснете бутона, за да спрете ротатора. **Предпазна мярка: Не използвайте устройството, ако то не се активира веднага щом бутонът бъде натиснат и не се деактивира незабавно при освобождаването му.**



Фигура 2

Периферна васкулатура

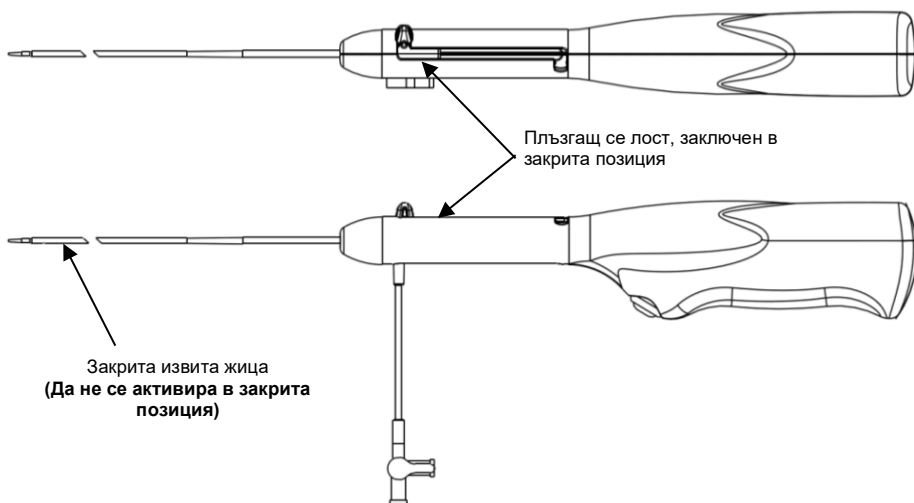
3. Свържете спринцовка с терапевтично средство или хепаринизиран физиологичен разтвор към порта за промиване на катетъра и промийте катетъра на CLEANER 15™. Уверете се, че течността излиза от най-далечния отвор на катетъра, разположен близо до края на катетъра. Затворете спирателния кран, за да "заключите" терапевтичното средство или хепарина в катетъра, и махнете спринцовката.

Лечение:

Точната процедура на лечение трябва да се определи от лекаря. Следната опция описва как може да се извърши процедурата.

4. Изпълнете процедурата под постоянна флуороскопия. Не започвайте въртене на извитата жица (активиране на устройството), освен ако е потвърдено правилно позициониране на устройството вътре в периферната васкулатура.
5. Подгответе и застелете мястото на пункция както е необходимо.
6. Приложете локален анестетик на мястото на пункция за вкарване на венозното дезиле.
7. Изберете дезиле с правилен размер, което да поставите в катетъра CLEANER 15™ и други устройства/катетри, които може да се използват по време на процедурата. Максималният размер на водещата жица ще зависи от избора на комплект на интродюсерното дезиле/дилататора. Ако се преминава илиачната бифуркация трябва да се използва дълго подсилено дезиле.
8. Подгответе и сложете венозното интродюсерно дезиле съгласно болничния протокол. Венозното дезиле трябва да бъде поставено във венозния клон на периферната васкулатура и насочено към мястото на лечение. Поставянето на венозното дезиле може да е по избор в зависимост от тежестта на запушване на съда.
9. Сложете устройството в закритата позиция, като натиснете плъзгащия се лост до дисталната позиция и го завъртите, за да се заключи в закритата позиция (вижте фигура 3). Когато е в закритата позиция, само гъвкавият връх на извитата жица трябва да се изтегля от катетъра. **Предупреждение: Устройството не трябва да се активира в закритата позиция.**
10. Поддържайте гъвкавия връх между палеца и показалеца по време на вкарване през клапата на дезилето. Вкарайте закритото устройство през венозното дезиле и във венозния клон на периферната васкулатура.
11. Свържете спринцовка от 10 куб. см, съдържаща терапевтично средство, предназначено за вливане, към спирателния кран. Отворете спирателния кран, за да активирате потока. **Предупреждение: Не изтегляйте кръв обратно в катетъра.**

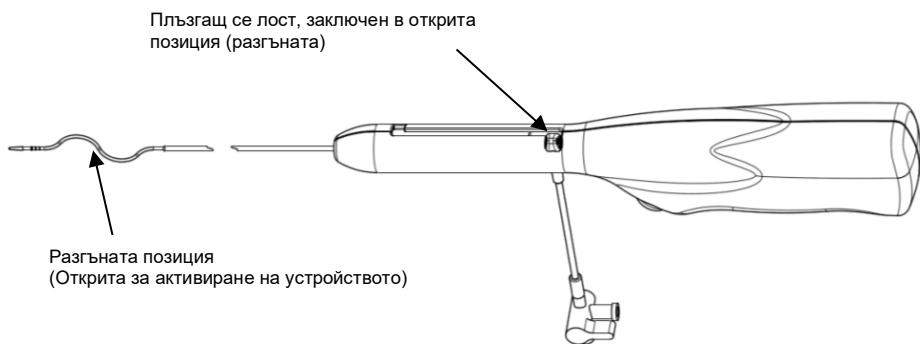
Забележка: Следвайте инструкциите на производителя относно пълното смесване и разреждане на определените течности.



Фигура 3

12. Придвижете гъвкавия връх до дисталната максимална степен на съсирека. Открийте извитата жица като отключите, издърпайте изцяло плъзгащия се лост и го завъртите, докато се чуе ясно доловимо щракване (вижте фигура 4). Потвърдете позиционирането на устройството в мястото на лечение чрез флуороскопия. Натиснете бутона ON/OFF (Вкл./Изкл.), за да активирате въртенето.

Периферна васкулатура



Фигура 4

13. С активирано устройство бавно издърпайте въртящата се извита жица покрай мястото на лечение като инфузирате терапевтичното средство през порта за инфузия, за да разбияте съсирека. **Предупреждение: Препоръчва се скорост на изтегляне от 1-2 см в секунда при откриването на ясно очертани радиуси.** Когато извитата жица достигне върха на венозното дезиле, освободете бутона, за да изключите въртящата се диспергираща жица.
14. Закрийте устройството и го извадете от периферната васкулатура. Промийте лумена на катетъра с хепаринизиран физиологичен разтвор и ръчно отстранете всеки натрупан фибрин от извитата жица.
15. Аспирирайте омекналия съсирек през дезилето и извършете аспирата. **Предпазна мярка: Продължителна неуспешна аспирация може да деформира дезилето и съда.**
16. Инжектирайте малко количество контраст през венозното дезиле, за да оцените степента на извършеното отстраняване на тромба. **Предупреждение: Избягвайте прекомерното инжектиране на контраст, за да се минимизира рискът от емболизация.** Третирайте остатъчния тромб като повторите стъпки 11-15 до постигането на приемливо отстраняване на тромба.
17. Когато тромбът е напълно отстранен, третирайте всяко подлежащо заболяване или стеноза съгласно болничния протокол.
18. Направете окончателната ангиограма.
19. Извадете дезилетата от периферната васкулатура.
20. Извършете хемостаза на мястото/-ата на пункция съгласно болничния протокол.

Графтове и фистули

ПОКАЗАНИЯ ЗА УПОТРЕБА:

Системата за ротациона тромбектомия CLEANER 15™ е показана за механично премахване на съсирек от диализна фистула на нативен съд и синтетични графтове за диализен достъп.

ПРОТИВОПОКАЗАНИЯ:

Системата за ротациона тромбектомия CLEANER 15™ е противопоказана в следните случаи:

- Когато, по медицинска преценка на лекаря, подобна процедура може да увреди състоянието на пациента.
- В нативни съдове с диаметър, по-малък от 6 мм
- Съществуваща инфекция на мястото за хемодиализен достъп.
- Незрели диализни фистули на нативен съд (фистули, които не са били използвани за поне едно хемодиализно лечение).

ПРЕДУПРЕЖДЕНИЯ И ПРЕДПАЗНИ МЕРКИ:

- Преди употреба прочетете всички предупреждения, предпазни мерки и инструкции от листовката. В противен случай може да се стигне до сериозно нараняване и смърт на пациента.
- Тези процедури трябва да се извършват само от лекари и персонал, запознати с оборудването и прилаганата техника. Устройството е стерилизирано с EtO и е стерилно, освен ако опаковката е отворена или повредена. Опаковката трябва да бъде разгледана преди употреба: ако е повредена, **ДА НЕ СЕ ИЗПОЛЗВА**. Устройството е предназначено за употреба само при един пациент; **ДА НЕ СЕ ИЗПОЛЗВА ПОВТОРНО И ДА НЕ СЕ СТЕРИЛИЗИРА ПОВТОРНО**.
- Преди употреба внимателно разгледайте системата за ротациона тромбектомия CLEANER 15™, за да се уверите, че не е била повредена по време на транспортиране. Ако компонентите на продукта показват каквито и да било признаци на повреда, **ДА НЕ СЕ ИЗПОЛЗВА**.
- Поради риска от излагане на HIV (човешки имунодефицитен вирус) или други пренасяни по кръвен път патогени, здравните работници следва да използват рутинно универсалните предпазни мерки за работа с кръв и телесни течности при грижите за всички пациенти. При всяко боравене с устройството трябва да се спазва стриктно стерилна техника.
- Лекарите трябва да са наясно за потенциалните усложнения, свързани с диализната фистула и тромболитата на графта, включително:
 - Кръвоизлив
 - Симптоматична белодробна емболия
 - Артериална емболизация
 - Алергична реакция към контрастното вещество
 - Псевдоаневризма
 - Болка и/или чувствителност
 - Разкъсване или разрушаване на съда
 - Инфекция
 - Перфорация на артерия или вена
 - Хематом
 - Смърт
- Трябва да се внимава при изваждане на запушалката при артериалната анастомоза, за да се минимизира рискът от артериална емболизация.
- Поради липса на екскреция, свързана с пациентите на хемодиализа, използването на контрастно вещество трябва да бъде сведено до минимум по време на тази процедура.
- При продължителна активация на устройството CLEANER 15™ може да настъпи потенциална повреда поради умора на извитата жица на CLEANER 15™. Препоръчва се скорост на изтегляне от 1-2 см/секунда при откриване на ясно очертани радиуси (напр. радиуси на затворен графт или фистула, радиус < 3 см).

ПРЕДЛОЖЕНА ПРОЦЕДУРА:

Използвайте стерилна техника.

Подготовка на пациента:

1. Направете премедикация с подходящ седатив, аналгетик и/или антибиотик съгласно болничния протокол.

Тестване на работата на устройството:

2. Извадете системата за ротациона тромбектомия CLEANER 15™ от опаковката. Натиснете бутона ON/OFF (Вкл./Изкл.), за да се уверите, че извитата жица се върти свободно (вижте фигура 2). Отпуснете бутона, за да спрете ротатора. **Предпазна мярка: Не използвайте устройството, ако то не се активира веднага щом бутонът бъде натиснат и не се деактивира незабавно при освобождаването му.**
3. Промийте катетъра на CLEANER 15™ с хепаринизиран физиологичен разтвор през порта за промиване на лумена на катетъра. Върнете спирателния кран на позиция off (изкл.) преди операцията.

Процедура при тромболиза:

4. Изпълнете процедурата за тромболиза с CLEANER 15™ при постоянна флуороскопия. Не започвайте въртене на извитата жица (активиране на устройството), освен ако е потвърдено правилно позициониране на устройството вътре във фистулата или графта.
5. Подгответе и застелете мястото на пункция както е необходимо.
6. Приложете локален анестетик на мястото на пункция за вкарване на венозното дезиле.

Графтове и фистули

- Изберете дезиле с правилен размер, което да поставите в катетъра CLEANER 15™ и други устройства/катетри, които може да се използват по време на процедурата. Максималният размер на водещата жица ще зависи от избора на комплект на интродюсерното дезиле/дилататора.
- Подгответе и сложете венозното интродюсерно дезиле съгласно болничния протокол. Венозното дезиле трябва да бъде поставено във венозния клон на графта и насочено към венозната анастомоза. При фистули поставянето на венозното дезиле може да е по избор в зависимост от тежестта на запущване на съда. Ако се използва венозно дезиле, то трябва да бъде поставено във венозния клон на фистулата и насочено към централния венозен поток. Забележка: Ако не се използва венозно дезиле при AV фистула, преминете към стъпка 16.
- Сложете устройството в закритата позиция като натиснете плъзгачия се лост до дисталната позиция и го завъртете, за да се заключи в закритата позиция (вижте фигура 3). Когато е в закритата позиция, само гъвкавият връх на извитата жица трябва да се изтегля от катетъра. Устройството не трябва да се активира в закритата позиция.
- Поддържайте гъвкавия връх между палеца и показалеца по време на вкарване през клапата на дезилето. Вкарайте закритото устройство през венозното дезиле и във венозния клон на фистулата или графта.
- При графт придвижете гъвкавия връх нагоре до венозната анастомоза. **Предупреждение: Не го придвижвайте отвъд анастомозата.** При фистула придвижете гъвкавия връх до централната максимална степен на съсирека. Открийте извитата жица, като отключите, издърпате изцяло плъзгачия се лост и го завъртете, докато се чуе ясно доловимо шракване (вижте фигура 4). Потвърдете позиционирането на устройството във фистулата или графта чрез флуороскопия. Натиснете бутон ON/OFF (Вкл./Изкл.), за да активирате въртенето.
Забележка: Трябва да се внимава при откриването на жицата, за да се избегне придвижването на жицата в съсирека и покрай анастомозата.
- С активирано устройство бавно издърпайте въртящата се извита жица покрай графта или фистулата, за да разбие съсирека. **Предупреждение: Препоръчва се скорост на изтегляне от 1-2 см в секунда при откриването на ясно очертани радиуси.** Когато извитата жица достигне върха на венозното дезиле, освободете бутона, за да изключите агрегата.
- Закрийте устройството и го извадете от графта или фистулата. Промийте лумена на катетъра с хепаринизиран физиологичен разтвор и ръчно отстранете всеки натрупан фибрин от извитата жица.
- Аспирирайте омекалия съсирек през дезилето и изхвърлете аспирата. **Предпазна мярка: Продължителна неуспешна аспирация може да деформира дезилето и графта/фистулата.**
- Инжектирайте малко количество контраст през венозното дезиле, за да оцените степента на извършеното отстраняване на тромба. **Предупреждение: Избягвайте прекомерното инжектиране на контраст, за да се минимизира рискът от артериална емболизация.** Третирайте остатъчния тромб като повторите стъпки 11-14 до постигането на приемливо отстраняване на тромба.
- Приложете локален анестетик на мястото на пункция за вкарване на артериално дезиле. Подгответе и сложете артериалното интродюсерно дезиле съгласно болничния протокол. Артериалното дезиле трябва да бъде насочено към артериалната анастомоза. **Предпазна мярка: Върховете на артериалното и венозното дезиле не трябва да се припокриват.**
- Поддържайте гъвкавия връх между палеца и показалеца по време на вкарване през клапата на дезилето. Вкарайте закритото устройство през артериалното дезиле в артериалния клон на фистулата или графта.
- При графт придвижете гъвкавия връх нагоре до артериалната анастомоза. **Предупреждение: Не го придвижвайте отвъд анастомозата.** При фистула придвижете гъвкавия връх до централната максимална степен на съсирека. Открийте извитата жица като отключите, издърпате изцяло плъзгачия се лост и го завъртете, докато се чуе ясно доловимо шракване. Потвърдете позиционирането на устройството във фистулата или графта чрез флуороскопия. Натиснете бутон ON/OFF (Вкл./Изкл.), за да активирате въртенето.
- С активирано устройство бавно издърпайте въртящата се извита жица в открита позиция покрай графта или фистулата, за да разбие съсирека. **Предупреждение: Препоръчва се скорост на изтегляне от 1-2 см в секунда при откриването на ясно очертани радиуси.** Когато извитата жица достигне върха на артериалното дезиле, освободете бутон, за да изключите агрегата.
- Закрийте устройството и го извадете от графта или фистулата. Промийте лумена на катетъра с хепаринизиран физиологичен разтвор и ръчно отстранете всеки натрупан фибрин от извитата жица.
- Аспирирайте омекалия съсирек, като използвате което и да е дезиле, и изхвърлете аспирата. **Предпазна мярка: Продължителна неуспешна аспирация може да деформира дезилето и графта/фистулата.**
- Прекарайте подходящ катетър през артериалното дезиле и внимателно го изведете покрай артериалната анастомоза на графта или фистулата. Раздуйте балона, ако е катетър с балон. Издърпайте артериалната запушалка в средата на артериалния клон. Изпуснете балона и извадете балонния катетър.
- Вкарайте повторно закритото устройство CLEANER 15™ през артериалното дезиле в артериалния клон на графта или фистулата.
- Разкрийте извитата жица и активирайте устройството, за да разрушите артериалната запушалка, като използвате контрастно вещество, за да насочвате мацерацията.
- Закрийте устройството и го извадете от графта или фистулата. Промийте лумена на катетъра с хепаринизиран физиологичен разтвор и ръчно отстранете всеки натрупан фибрин от извитата жица.
- Аспирирайте омекалия съсирек през дезилето и изхвърлете аспирата.
- Инжектирайте контрастно вещество, за да оцените степента на отстраняване на тромба. Третирайте всякакъв остатък, като използвате CLEANER 15™ през което и да е дезиле, ако е необходимо.
- Когато тромбът е напълно отстранен, третирайте всяко подлежащо заболяване или стеноза съгласно болничния протокол.
- Направете окончателната фистулограма.
- Извадете дезилетата от фистулата или графта.
- Извършете хемостаза на мястото/ата на пункция съгласно болничния протокол.

ПРЕДУПРЕЖДЕНИЕ:

Само за еднократна употреба. Да не се използва, обработва или стерилизира повторно. Повторната употреба, повторната обработка или повторната стерилизация може да наруши структурната цялост на устройството и/или да доведат до счупване на устройството, което на свой ред може да доведе до нараняване, болест или смърт на пациента. Повторната употреба, повторната обработка или повторната стерилизация може също така да създаде риск от замърсяване на устройството и/или да причинят инфекция или кръстосана инфекция на пациента, включително, но не само, предаване на инфекциозна/-и болест/-и от един пациент на друг. Замърсяването на устройството може да доведе до нараняване, заболяване или смърт на пациента.

СЪХРАНЕНИЕ:

Съхранявайте в помещения с контролирана температура. Да не се излага на органични разтвори, йонизираща радиация или ултравиолетова светлина.

ИЗХВЪРЛЯНЕ:

Изхвърлете катетърната система в съответствие с Директивата за изхвърляне на електрическо и електронно оборудване (WEEE) и съгласно стандартните процедури на здравното заведение за медицински отпадък, включително устройства за еднократна употреба, влизали в контакт с кръв.

ОТКАЗ ОТ ГАРАНЦИЯ И ОГРАНИЧАВАНЕ НА ОБЕЗЩЕТИЕТО:

Няма изрична или подразбираща се гаранция, включително без ограничения и подразбираща се гаранция за продаваемост или пригодност за определена цел, за продуктите на Argon Medical, описани в тази публикация. При никакви обстоятелства Argon Medical няма да носят отговорност за каквито и да било преки, случайни или последващи щети, различни от изрично посоченото от конкретния закон. Нито едно лице няма право да ангажира Argon Medical с каквато и да е гаранция или представителство, освен както изрично е посочено тук.

Описания или спецификации в печатни материали на Argon Medical, включително настоящата публикация, са предназначени единствено за общо описание на продукта към момента на производство и не представляват никакви изрични гаранции.

Argon Medical няма да бъдат отговорни за никакви преки, инцидентни или последващи щети от повторна употреба на продукта.



MEDICAL — GENERAL MEDICAL EQUIPMENT
AS TO ELECTRICAL SHOCK, FIRE AND MECHANICAL HAZARDS ONLY
IN ACCORDANCE WITH IEC60601-1 3rd Ed. & CAN/CSA-C22.2
NO. 60601.1 (2008), AAMI ES 60601-1:2008
4CR3



Речникът на символите е наличен в електронен вид на адрес www.argonmedical.com/symbols



EMERGO EUROPE
Westervoortsedijk 60
6827 AT Arnhem
The Netherlands
+31 70 345 8570



ARGON MEDICAL DEVICES, INC.
1445 Flat Creek Road
Athens, Texas 75751 USA
Tel: +1 (903) 675 9321
Tel: +1 (800) 927 4669
www.argonmedical.com



Emergo Consulting (UK) Limited
c/o Cr 360 - UL International
Compass House, Vision Park Histon
Cambridge CB24 9BZ
United Kingdom

CLEANER 15™

Rotational Thrombectomy System

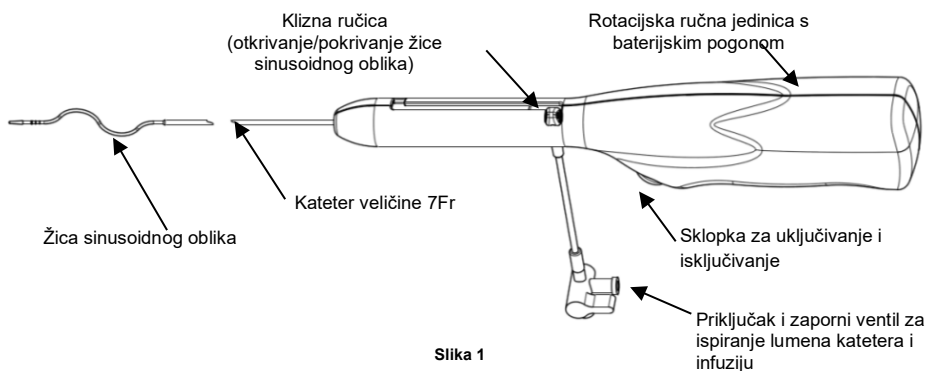
Bosnian - Prije uporabe pročitajte sve upute

stranice

Upute za uporabu u perifernoj vaskulaturi	1-4
Upute za uporabu u graftovima i fistulama	5-6

OPIS UREĐAJA:

Rotacijski sustav za trombektomiju CLEANER 15™ perkutani je kateterski sustav veličine 7Fr (jednodijelna struktura). Rotacijska ručna jedinica s baterijskim pogonom za jednokratnu uporabu priključuje se na žicu sinusoidnog oblika koja se okreće brzinom od otprilike 4000 o/min. Žica i atraumatski meki vrh neprozirni su za fluoroskopsku vizualizaciju.



INDIKACIJE ZA UPORABU:

Rotacijski sustav za trombektomiju CLEANER 15™ namijenjen je mehaničkom razbijanju ugrušaka te kontroliranoj i selektivnoj infuziji tekućina koje odredi liječnik, uključujući trombolite, u perifernu vaskulaturu.

KONTRAINDIKACIJE:

Rotacijski sustav za trombektomiju CLEANER 15™ kontraindiciran je u sljedećim slučajevima:

- ovaj je sustav kontraindiciran kada bi, prema stručnoj prosudbi liječnika, takav postupak mogao ugroziti stanje pacijenta.
- Nije namijenjen dilataciji perifere vaskulature.
- Ovaj sustav nije namijenjen za infuziju krvi ili krvnih produkata.
- Indikacije, kontraindikacije, nuspojave i mjere opreza potražite u uputi u pakiranju odabrane terapijske otopine.
- u neprepariranim krvnim žilama promjera manjeg od 6 mm;
- U pacijenata bez vaskularnog filtra poput donjeg filtra za venu cavu.

Periferna vaskulatura

UPOZORENJA I MJERE OPREZA:

- Prije uporabe pročitajte sva upozorenja, mjere opreza i upute u dokumentu u pakiranju proizvoda. U suprotnom biste mogli prouzročiti teške ozljede i smrt pacijenta.
- Ove postupke bi trebali provoditi samo liječnici i zdravstveno osoblje upoznato s primjenjivom opremom i tehnikama. Uređaj je steriliziran etilen oksidom i sterilan je ako pakiranje nije otvoreno ili oštećeno. Pakiranje treba pregledati prije uporabe; ako ima oštećenja, **NEMOJTE GA KORISTITI**. Uređaj je namijenjen za uporabu samo na jednom pacijentu; **NEMOJTE GA PONOVRNO KORISTITI ILI STERILIZIRATI**.
- Prije uporabe pažljivo pregledajte rotacijski sustav za trombektomiju CLEANER 15™ kako biste se uvjerali da tijekom isporuke nije oštećen. Ako na komponentama proizvoda ima bilo kakvih znakova oštećenja, **NEMOJTE GA KORISTITI**.
- Zbog opasnosti od izlaganja HIV-u (virusu humane imunodeficijencije) ili drugim krvlju prenosivim patogenima, zdravstveni djelatnici moraju pri njezi svih bolesnika primjenjivati univerzalne mjere opreza za postupanje s krvlju i tjelesnim tekućinama. Moraju se pridržavati sterilnih tehnika tijekom bilo kakvog rukovanja uređajem.
- Nemojte potiskivati ako naidete na otpor bez prethodnog utvrđivanja uzroka otpora pod fluoroskopijom i poduzimanja potrebnih korektivnih radnji. Primjena prevelike sile pri nailasku na otpor može izazvati oštećenje krvne žile.
- Prije uvođenja i prilikom svakog uklanjanja uređaja CLEANER 15™ iz krvožilnog sustava kateter se mora isprati.
- Ako se kateter ili žica vodilica saviju ili na bilo koji drugi način oštete tijekom uporabe, prekinite rad i zamijenite ih.
- Zdravstveni djelatnici koji obavljaju zahvate moraju biti svjesni komplikacija povezanih s trombolizom perifernih krvnih žila, uključujući:
 - perforaciju ili pucanje krvnih žila
 - spazam krvne žile
 - hematoma
 - sepsu/infekciju
 - disrupciju intime
 - trombozu krvnih žila
 - alergijsku reakciju na kontrastno sredstvo
 - tromboembolijske epizode
 - distalnu embolizaciju krvnih ugrušaka
 - krvarenje
 - bol i osjetljivost
 - tromboflebitis
 - disekciju arterije
 - reakcije na lijek
 - arteriovensku fistulu
 - amputaciju
- Potencijalni kvar zbog zamora žice sinusoidnog oblika uređaja CLEANER 15™ može nastati zbog duge aktivacije uređaja CLEANER 15™. Brzina povlačenja 1 – 2 cm/s preporučuje se kada se dođe do oštih radijusa (odnosno radijusa grafta u obliku petlje ili fistule koji iznose < 3 cm).

PREPORUČENI POSTUPAK:

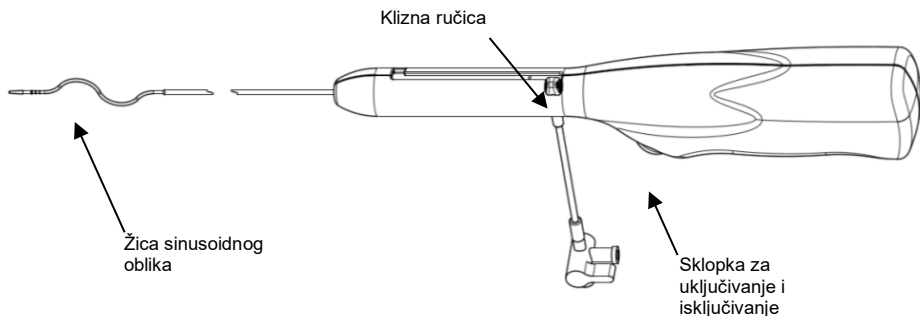
Upotrijebite sterilnu tehniku.

Priprema pacijenta:

1. Dajte pacijentu odgovarajuću predmedikaciju anksiolitika, analgetika i/ili antibiotika u skladu s bolničkim protokolom.

Ispitivanje rada uređaja:

2. Izvadite rotacijski sustav za trombektomiju CLEANER 15™ iz pakiranja. Pritisnite sklopku za uključivanje/isključivanje kako biste se uvjerali da se žica sinusoidnog oblika slobodno okreće (Slika 2). Otpustite sklopku kako biste zaustavili uređaj za rotaciju. **Mjera opreza: Nemojte upotrebljavati uređaj ako se aktivira odmah nakon pritiska sklopke i deaktivira odmah nakon njezina otpuštanja.**



Slika 2

Periferna vaskulatura

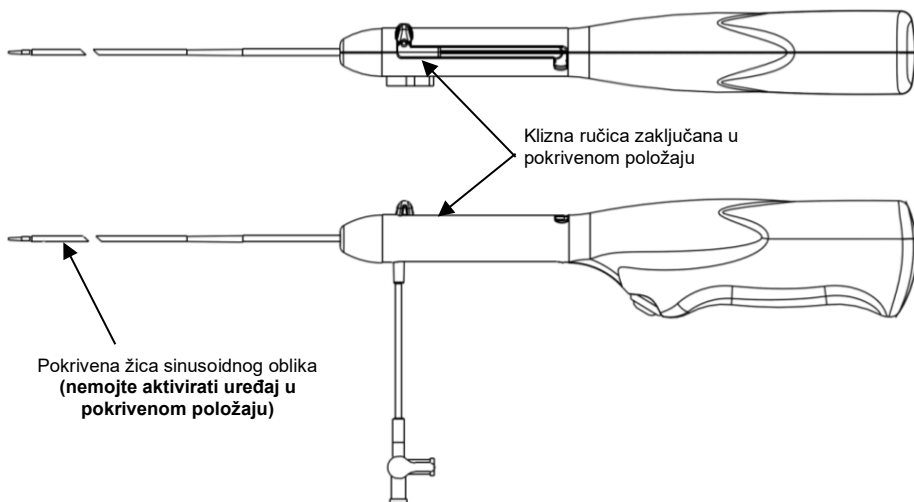
3. Priključite štrcaljku s terapeutskim sredstvom ili hepariniziranom fiziološkom otopinom na priključak za ispiranje katetera i isperite kateter uređaja CLEANER 15™. Provjerite izlazi li tekućina iz krajnjeg distalnog otvora koji se nalazi u blizini kraja katetera. Zatvorite zaporni ventil da biste „zaključali“ ulazak terapeutskog sredstva ili heparina u kateter i uklonili štrcaljku.

Liječenje:

Točan postupak liječenja mora odrediti liječnik. U sljedećem opisu navedeno je kako bi se taj postupak mogao provesti.

4. Provedite postupak pod kontinuiranom fluoroskopijom. Nemojte pokretati rotaciju žice sinusoidnog oblika (aktivaciju uređaja) ako ne potvrdite odgovarajuće pozicioniranje uređaja u perifernoj vaskulaturi.
5. Prema potrebi pripremite i pokrijte mjesto punkcije.
6. Dajte lokalni anestetik na mjestu punkcije radi umetanja venske obloge.
7. Odaberite oblogu odgovarajuće veličine kako biste mogli postaviti kateter uređaja CLEANER 15™ i druge uređaje/katetere koji se mogu koristiti tijekom postupka. Maksimalna veličina žice vodilice ovisit će o odabranom sklopu obloge uvodnika/dilatatora. Ako prolazite kroz ilijakalnu bifurkaciju, treba upotrijebiti dugu ojačanu oblogu.
8. Pripremite i postavite oblogu za venski uvodnik u skladu s bolničkim protokolom. Venska obloga mora se postaviti u vensku granu perifere vaskulature te usmjeriti prema mjestu liječenja. Postavljanje venske obloge može biti dodatna opcija, ovisno o opterećenju ugruškom u krvnoj žili.
9. Postavite uređaj u pokriven položaj pritiskom klizne ručice u distalni položaj i njezinim okretanjem kako biste je zaključali u pokrivenom položaju (Slika 3). Nakon što dođe u pokriveni položaj, iz katetera treba viriti samo fleksibilni vrh žice sinusoidnog oblika. **Upozorenje: Uređaj se ne smije aktivirati u pokrivenom položaju.**
10. Poduprite fleksibilni vrh palcem i kažiprstom tijekom uvođenja kroz ventil obloge. Umetnite pokriveni uređaj kroz vensku oblogu i u vensku granu perifere vaskulature.
11. Pričvrstite štrcaljku od 10cc s terapeutskim sredstvom namijenjenim za infuziju na zaporni ventil. Otvorite zaporni ventil kako biste omogućili protok. **Upozorenje: Nemojte povlačiti krv natrag u kateter.**

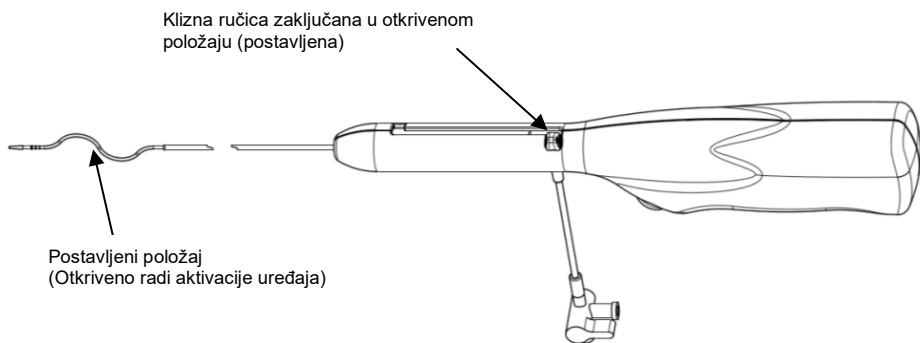
Napomena: Slijedite upute proizvođača u vezi s rekonstitucijom i razrjeđivanjem navedenih tekućina.



Slika 3

12. Potisnite fleksibilni vrh do krajnjeg distalnog kraja ugruška. Otključavanjem otkrijte žicu sinusoidnog oblika, potpuno povlačeći kliznu ručicu i okretanjem klizne ručice dok ne začujete „klik“ (Slika 4). Potvrdite položaj uređaja na mjestu liječenja putem fluoroskopije. Pritisnite sklopku za uključivanje/isključivanje da biste aktivirali rotaciju.

Periferna vaskulatura



Slika 4

13. Dok je uređaj aktiviran, polako povucite rotacijsku žicu sinusoidnog oblika uz mjesto liječenja te istovremeno ubrizgajte terapijsko sredstvo kroz priključak za infuziju kako biste razbili ugrušak. **Upozorenje: Brzina povlačenja od 1 – 2 cm/s preporučuje se u slučaju oštrih radijusa.** Kada žica sinusoidnog oblika dođe do vrha venske obloge, otpustite sklopku kako biste isključili rotacijsku žicu za disperziju.
14. Pokrijte uređaj i izvucite ga iz periferne vaskulature. Isperite lumen katetera hepariniziranom fiziološkom otopinom i ručno uklonite nakupljeni fibrin sa žice sinusoidnog oblika.
15. Usisajte omekšali ugrušak kroz oblogu i bacite aspirat. **Mjera opreza: Kontinuirana neuspješna aspiracija može prouzročiti kolaps obloge i krvne žile.**
16. Ubrizgajte malu količinu kontrastnog sredstva kroz vensku oblogu kako biste procijenili stupanj uspješnog uklanjanja tromba. **Upozorenje: Izbjegavajte prekomjerno ubrizgavanje kontrastnog sredstva kako biste smanjili opasnost od embolizacije.** Liječite ostatak tromba ponavljanjem 11. – 15. koraka sve dok ne postignete prihvatljiv stupanj uklanjanja.
17. Nakon dovršetka uklanjanja tromba, liječite osnovnu bolest ili stenozu u skladu s bolničkim protokolom.
18. Snimite završni angiogram.
19. Uklonite obloge iz periferne vaskulature.
20. Ostvarite hemostazu na mjestu(ima) punkcije u skladu s bolničkim protokolom.

Graftovi i fistule

INDIKACIJE ZA UPORABU:

Rotacijski sustav za trombektomiju CLEANER 15™ namijenjen je mehaničkom razbijanju ugrušaka u fistulama neprepariranih krvnih žila i sintetičkim pristupnim graftovima za dijalizu u krvnim žilama.

KONTRAINDIKACIJE:

Rotacijski sustav za trombektomiju CLEANER 15™ kontraindiciran je u sljedećim slučajevima:

- kada bi, prema stručnoj prosudbi liječnika, takav postupak mogao ugroziti stanje pacijenta;
- u neprepariranim krvnim žilama promjera manjeg od 6 mm;
- u slučaju postojeće infekcije pristupnog mjesta za hemodijalizu;
- kod nezrelih fistula za dijalizu u neprepariranim krvnim žilama (fistule koje nisu korištene najmanje za jednu hemodijalizu).

UPOZORENJA I MJERE OPREZA:

- Prije uporabe pročitajte sva upozorenja, mjere opreza i upute u dokumentu u pakiranju proizvoda. U suprotnom biste mogli prouzročiti teške ozljede i smrt pacijenta.
- Ove postupke bi trebali provoditi samo liječnici i zdravstveno osoblje upoznato s primjenjivom opremom i tehnikama. Uređaj je steriliziran etilen oksidom i sterilan je ako pakiranje nije otvoreno ili oštećeno. Pakiranje treba pregledati prije uporabe; ako ima oštećenja, NEMOJTE GA KORISTITI. Uređaj je namijenjen za uporabu samo na jednom pacijentu; NEMOJTE GA PONOVRNO KORISTITI ILI STERILIZIRATI.
- Prije uporabe pažljivo pregledajte rotacijski sustav za trombektomiju CLEANER 15™ kako biste se uvjerali da tijekom isporuke nije oštećen. Ako na komponentama proizvoda ima bilo kakvih znakova oštećenja, NEMOJTE GA KORISTITI.
- Zbog opasnosti od izlaganja HIV-u (virusu humane imunodeficijencije) ili drugim krvlju prenosivim patogenima, zdravstveni djelatnici moraju pri njezi svih bolesnika primjenjivati univerzalne mjere opreza za postupanje s krvlju i tjelesnim tekućinama. Moraju se pridržavati sterilnih tehnika tijekom bilo kakvog rukovanja uređajem.
- Zdravstveni djelatnici koji obavljaju zahvate moraju biti svjesni komplikacija povezanih s dijaliznim fistulama i trombolizom graftova, uključujući:
 - krvarenje
 - simptomatsku plućnu emboliju
 - arterijsku embolizaciju
 - alergijsku reakciju na kontrastno sredstvo
 - pseudoaneurizmu
 - bol i/ili osjetljivost
 - kidanje ili pucanje krvne žile
 - infekciju
 - perforaciju arterije ili vene
 - hematom
 - smrt
- Morate biti oprezni prilikom premještanja čepa na arterijskoj anastomozi kako biste smanjili opasnost od arterijske embolizacije.
- Zbog nedovoljnog izlučivanja povezanog s hemodijaliziranim pacijentima, uporaba kontrastnog sredstva treba biti minimalna tijekom cijelog postupka.
- Potencijalni kvar zbog zamora žice sinusoidnog oblika uređaja CLEANER 15™ može nastati zbog duge aktivacije uređaja CLEANER 15™. Brzina povlačenja 1 – 2 cm/s preporučuje se kada se dođe do oštrih radijusa (odnosno radijusa grafta u obliku petlje ili fistule koji iznose < 3 cm).

PREPORUČENI POSTUPAK:

Upotrijebite sterilnu tehniku.

Priprema pacijenta:

1. Dajte pacijentu odgovarajuću predmedikaciju anksiolitika, analgetika i/ili antibiotika u skladu s bolničkim protokolom.

Ispitivanje rada uređaja:

2. Izvadite rotacijski sustav za trombektomiju CLEANER 15™ iz pakiranja. Pritisnite sklopku za uključivanje/isključivanje kako biste se uvjerali da se žica sinusoidnog oblika slobodno okreće (Slika 2). Otpustite sklopku kako biste zaustavili uređaj za rotaciju. **Mjera opreza: Nemojte upotrebljavati uređaj ako se aktivira odmah nakon pritiska sklopke i deaktivira odmah nakon njezina otpuštanja.**
3. Ispirite kateter uređaja CLEANER 15™ hepariniranim fiziološkom otopinom kroz priključak za ispiranje lumena katetera. Prije rada vratite zaporni ventil u isključen položaj.

Postupak trombolize:

4. Provedite postupak trombolize uređajem CLEANER 15™ pod stalnom fluoroskopijom. Nemojte pokretati rotaciju žice sinusoidnog oblika (aktivaciju uređaja) ako ne potvrdite odgovarajuće pozicioniranje uređaja u fistuli ili graftu.
5. Prema potrebi pripremite i pokrijte mjesto punkcije.
6. Dajte lokalni anestetik na mjestu punkcije radi umetanja venske obloge.
7. Odaберите oblogu odgovarajuće veličine kako biste mogli postaviti kateter uređaja CLEANER 15™ i druge uređaje/katetere koji se mogu koristiti tijekom postupka. Maksimalna veličina žice vodilice ovisi će o odabranom sklopu obloge uvodnika/dilatatora.
8. Pripremite i postavite oblogu za venski uvodnik u skladu s bolničkim protokolom. Venska obloga mora se postaviti u vensku granu grafta te usmjeriti prema mjestu venske anastomoze. U fistulama postavljanje venske obloge može biti dodatna opcija,

Graftovi i fistule

ovisno o opterećenju ugruškom u krvnoj žili. Ako se koristi venska obloga, mora se postaviti u vensku granu fistule te usmjeriti prema središnjem venskom protoku. Napomena: Ako se u AV fistuli ne koristi venska obloga, prijedite na 16. korak.

9. Postavite uređaj u pokriven položaj pritiskom klizne ručice u distalni položaj i njezinim okretanjem kako biste je zaključali u pokrivenom položaju (Slika 3). Nakon što dođe u pokriveni položaj, iz katetera treba viriti samo fleksibilni vrh žice sinusoidnog oblika. Uređaj se ne smije aktivirati u pokrivenom položaju.
10. Poduprite fleksibilni vrh palcem i kažiprstom tijekom uvođenja kroz ventil obloge. Umetnite pokriveni uređaj kroz vensku oblogu i u vensku granu fistule ili grafta.
11. Kod grafta potisnite fleksibilni vrh do venske anastomoze. **Upozorenje: Nemojte potiskivati preko anastomoze.** Kod fistule potisnite fleksibilni vrh do krajnje središnje točke ugruška. Otključavanjem otkrijte žicu sinusoidnog oblika, potpuno povlačeći kliznu ručicu i okretanjem klizne ručice dok ne začujete „klik“ (Slika 4). Potvrdite položaj uređaja u fistuli ili graftu putem fluoroskopije. Pritisnite sklopku za uključivanje/isključivanje da biste aktivirali rotaciju.

Napomena: Budite oprezni pri otkrivanju žice kako biste izbjegli njezino potiskivanje u ugrušak i preko anastomoze.

12. Dok je uređaj aktiviran, polako povucite rotacijsku žicu sinusoidnog oblika uz graft ili fistulu kako biste razbili ugrušak. **Upozorenje: Brzina povlačenja od 1 – 2 cm/s preporučuje se u slučaju oštrih radijusa.** Kada žica sinusoidnog oblika dođe do vrha venske obloge, otpustite sklopku kako biste isključili uređaj za rotaciju.
13. Pokrijte uređaj i izvucite ga iz grafta ili fistule. Isperite lumen katetera hepariniziranim fiziološkom otopinom i ručno uklonite nakupljeni fibrin sa žice sinusoidnog oblika.
14. Usisajte omeškali ugrušak kroz oblogu i bacite aspirat. **Mjera opreza: Kontinuirana neuspješna aspiracija može prouzročiti kolaps obloge i grafta/fistule.**
15. Ubrzajte malu količinu kontrastnog sredstva kroz vensku oblogu kako biste procijenili stupanj uspješnog uklanjanja tromba. **Upozorenje: Izbjegavajte prekomjerno ubrizgavanje kontrastnog sredstva kako biste smanjili opasnost od arterijske embolizacije.** Liječite ostatak tromba ponavljanjem 11. – 14. koraka sve dok ne postignete prihvatljiv stupanj uklanjanja.
16. Dajte lokalni anestetik na mjestu punkcije radi umetanja arterijske obloge. Pripremite i postavite oblogu za arterijski uvodnik u skladu s bolničkim protokolom. Arterijska obloga treba biti usmjerena prema arterijskoj anastomozi. **Mjera opreza: Vrhovi arterijske i venske obloge ne smiju se preklapati.**
17. Poduprite fleksibilni vrh palcem i kažiprstom tijekom uvođenja kroz ventil obloge. Umetnite pokriveni uređaj kroz arterijsku oblogu i u arterijsku granu fistule ili grafta.
18. Kod grafta potisnite fleksibilni vrh do arterijske anastomoze. **Upozorenje: Nemojte potiskivati preko anastomoze.** Kod fistule potisnite fleksibilni vrh do krajnje središnje točke ugruška. Otključavanjem otkrijte žicu sinusoidnog oblika, potpuno povlačeći kliznu ručicu i okretanjem klizne ručice dok ne začujete „klik“. Potvrdite položaj uređaja u fistuli ili graftu putem fluoroskopije. Pritisnite sklopku za uključivanje/isključivanje da biste aktivirali rotaciju.
19. Dok je uređaj aktiviran, polako povucite rotacijsku žicu sinusoidnog oblika, u otkrivenom položaju, uz graft ili fistulu kako biste razbili ugrušak. **Upozorenje: Brzina povlačenja od 1 – 2 cm/s preporučuje se u slučaju oštrih radijusa.** Kada žica sinusoidnog oblika dođe do vrha arterijske obloge, otpustite sklopku kako biste isključili uređaj za rotaciju.
20. Pokrijte uređaj i izvucite ga iz grafta ili fistule. Isperite lumen katetera hepariniziranim fiziološkom otopinom i ručno uklonite nakupljeni fibrin sa žice sinusoidnog oblika.
21. Usisajte omeškali ugrušak kroz bilo koju oblogu i bacite aspirat. **Mjera opreza: Kontinuirana neuspješna aspiracija može prouzročiti kolaps obloge i grafta/fistule.**
22. Povucite odgovarajući kateter kroz arterijsku oblogu i pažljivo ga potisnite preko arterijske anastomoze grafta ili fistule. Napušite balon ako je riječ o balonskom kateteru. Povucite arterijski čep u sredinu arterijske grane. Ispušite balon i uklonite balonski kateter.
23. Ponovo umetnite pokriveni uređaj CLEANER 15™ kroz arterijsku oblogu i u arterijsku granu fistule ili grafta.
24. Otkrijte žicu sinusoidnog oblika i aktivirajte uređaj da biste razbili arterijski čep koristeći kontrastno sredstvo za vođenje omeškavanja.
25. Pokrijte uređaj i izvucite ga iz grafta ili fistule. Isperite lumen katetera hepariniziranim fiziološkom otopinom i ručno uklonite nakupljeni fibrin sa žice sinusoidnog oblika.
26. Usisajte omeškali ugrušak kroz oblogu i bacite aspirat.
27. Ubrzajte kontrastno sredstvo da biste procijenili stupanj uklanjanja tromba. Prema potrebi obradite ostatak tromba uređajem CLEANER 15™ kroz bilo koju od obloga.
28. Nakon dovršetka uklanjanja tromba, liječite osnovnu bolest ili stenozu u skladu s bolničkim protokolom.
29. Snimite završni fistulogram.
30. Uklonite obloge iz fistule ili grafta.
31. Ostvarite hemostazu na mjestu(ima) punkcije u skladu s bolničkim protokolom.

UPOZORENJE:

Samo za jednokratnu uporabu. Uređaj nije namijenjen višekratnoj uporabi, obradi ili sterilizaciji. Višekratna uporaba, ponovna obrada ili ponovna sterilizacija mogu oštetiti cjelovitost uređaja i/ili prouzročiti njegov neispravan rad, a to može prouzročiti ozljede, bolest ili smrt pacijenta. Višekratna uporaba, ponovna obrada ili ponovna sterilizacija također mogu predstavljati opasnost od kontaminacije uređaja i/ili prouzročiti infekciju u pacijenta ili unakrsnu infekciju, uključujući, bez ograničenja, prijenos jedne ili više zaraznih bolesti s jednog pacijenta na drugog. Kontaminacija uređaja može dovesti do ozljede, bolesti ili smrti bolesnika.

ZBRINJAVANJE:

Čuvajte na kontroliranoj sobnoj temperaturi. Ne izlažite organskim otapalima, ionizirajućem zračenju ili ultraljubičastoj svjetlosti.

ZBRINJAVANJE:

Kateterski sustav odložite u skladu s Direktivom o otpadnoj električnoj i elektroničkoj opremi (WEEED) i u skladu sa standardnim postupcima ustanove u vezi s medicinskim otpadom, uključujući uređaje za jednokratnu uporabu koji dolaze u kontakt s krvlju.

ODRICANJE OD JAMSTVA I OGRANIČENJE PRAVNOG LIJEKA:

Ne postoji izričito ili podrazumijevano jamstvo, uključujući, bez ograničenja i bilo kakva podrazumijevana jamstva u vezi s prikladnošću za prodaju ili neku posebnu namjenu proizvoda tvrtke Argon Medical opisanih u ovom izdanju. Ni pod kojim uvjetima tvrtka Argon Medical neće biti odgovorna za bilo kakve izravne, slučajne ili posljedične štete, osim ako to nije izričito regulirano određenim zakonom. Nijedna osoba nema ovlaštenja obvezati tvrtku Argon Medical na bilo kakve izjave ili jamstva osim onih koja su ovdje navedena.

Opisi ili specifikacije proizvoda u tiskanom materijalima tvrtke Argon Medical, što obuhvaća i ovaj dokument, namijenjeni su isključivo općem opisu proizvoda u vrijeme proizvodnje i ne predstavljaju bilo kakvo izričito jamstvo.

Tvrtka Argon Medical ne preuzima nikakvu odgovornost za bilo kakve izravne, slučajne ili posljedične štete koje mogu nastati kao posljedica ponovne uporabe proizvoda.



E353911

MEDICAL — GENERAL MEDICAL EQUIPMENT
AS TO ELECTRICAL SHOCK, FIRE AND MECHANICAL HAZARDS ONLY
IN ACCORDANCE WITH IEC60601-1 3rd Ed. & CAN/CSA-C22.2
NO. 60601.1 (2008), AAMI ES 60601-1:2008
4CR3



The symbols glossary is located electronically at
www.argonmedical.com/symbols



EMERGO EUROPE
Westervoortsedijk 60
6827 AT Arnhem
The Netherlands
+31 70 345 8570



ARGON MEDICAL DEVICES, INC.
1445 Flat Creek Road
Athens, Texas 75751 USA
Tel: +1 (903) 675 9321
Tel: +1 (800) 927 4669
www.argonmedical.com



Emergo Consulting (UK) Limited
c/o Cr 360 - UL International
Compass House, Vision Park Histon
Cambridge CB24 9BZ
United Kingdom

CLEANER 15™

Rotational Thrombectomy System

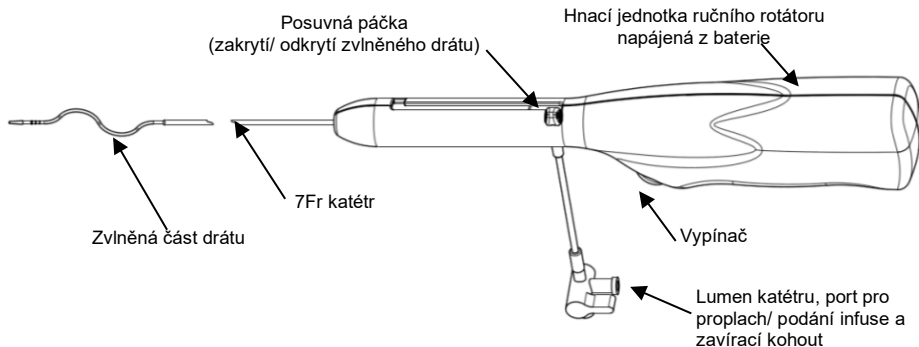
Czech - Před použitím si přečtete všechny pokyny.

strany

Návod k použití v periferním cévním systému	1-4
Návod k použití v graftech a fistulích	5-6

POPIS VÝROBKU:

Systém pro rotační trombektomii CLEANER 15™ je perkutánní systém na bázi katétru o velikosti 7Fr (s jednoduchou konstrukcí). Hnací jednotka ručního rotátoru napájena z baterie (na jedno použití) je připojena k zvlněnému drátu, který rotuje rychlostí přibližně 4000 otáček/min. Drát a atraumatická měkká špička jsou RTG kontrastní, aby bylo možné je fluoroskopicky vizualizovat.



Obrázek 1

INDIKACE POUŽITÍ:

Systém pro rotační trombektomii CLEANER 15™ je určen k mechanickému odstranění sraženin a ke kontrolované a selektivní infúzi lékařem specifikovaných tekutin, včetně trombolitik, v periferním cévním systému.

KONTRAINDIKACE:

Použití systému pro rotační trombektomii CLEANER 15™ je kontraindikováno v následujících situacích:

- použití tohoto systému je kontraindikováno, pokud podle lékařského úsudku může taková procedura ohrozit stav pacienta.
- tento systém není určen pro účely dilatace periferního cévního systému.
- tento systém není určen pro podání transfúze nebo krevních derivátů.
- postupujte v souladu s údaji o indikacích, kontraindikacích, vedlejších účincích a výstrahami na značení výrobku vybraného terapeutického roztoku.
- V nativních cévách o průměru menším než 6 mm.
- u pacientů bez cévních filtrů jako je kavální filtr dolní duté žíly).

Periferní cévní systém

VAROVÁNÍ A OPATŘENÍ:

- Před použitím prostudujte veškerá varování, upozornění a pokyny v příbalových informacích. Opomenutí tohoto kroku může mít za následek těžké poranění a smrt pacienta.
- Tyto výkony mohou provádět pouze lékaři a zaměstnanci, kteří jsou obeznámeni se zařízením a s potřebnými technikami. Prostředek byl sterilizován ethylenoxidem a je sterilní, pokud není otevřen nebo poškozen jeho obal. Před použitím prohlédněte obal, a pokud je poškozen, prostředek NEPOUŽÍVEJTE. Tento prostředek je určen k použití pouze u jednoho pacienta; NEPOUŽÍVEJTE HO OPAKOVANĚ; NERESTERILIZUJTE.
- Před použitím pečlivě prohlédněte systém pro rotační tromboektomií Cleaner 15TM a ověřte, zda nedošlo během přepravy k jeho poškození. Pokud komponenty výrobku vykazují jakékoliv známky poškození, NEPOUŽÍVEJTE JE.
- Vzhledem k riziku expozice HIV (virus lidské imunodeficiency) či jiným patogenům přenášeným krví je vhodné, aby zdravotnický personál při péči o všechny pacienty dodržoval rutinně obecná ochranná opatření vhodná při práci s krví a s tělními tekutinami. Při veškeré manipulaci s prostředkem se musí přísně dodržovat sterilní postupy.
- Pokud zaznamenáte odpor, nezavádějte dál, dokud neověříte příčinu odporu fluoroskopicky a neprovedete potřebné nápravné akce. Použití nadměrné síly proti odporu může vyústit v poškození nástroje nebo cévy.
- Před zavedením a dále pokaždé, když je systém pro rotační tromboektomií Cleaner 15TM vyjmut z cévního řečiště by měl být katétr propláchnut.
- Pokud dojde k zohýbání nebo jinému poškození katétru nebo drátu v průběhu použití, přestaňte nástroj používat a vyměňte ho.
- Lékaři si musí být vědomi potenciálních komplikací souvisejících s trombolýzou periferního cévního systému, které zahrnují:
 - perforace nebo ruptura cévy
 - spasmus cévy
 - hematom
 - sepse/infekce
 - narušení intimy cév
 - cévní trombóza
 - alergická reakce na kontrastní látku
 - tromboembolické epizody
 - distální embolizace krevních sraženin
 - krvácení
 - bolest a citlivost
 - tromboflebitida
 - disekce tepny
 - lékové reakce
 - arteriovenózní píštěl
 - amputace
- Při déletrvajícím aktivaci prostředku CLEANER 15™ může dojít k únavovému selhání zvlněného drátu CLEANER 15™. Narazíte-li na zakřivení s malým poloměrem (např. poloměr smyčkového grafu nebo píštěle o poloměry < 3cm), doporučujeme prostředek vytahovat rychlostí 1-2cm/ sekundu.

DOPORUČENÝ POSTUP:

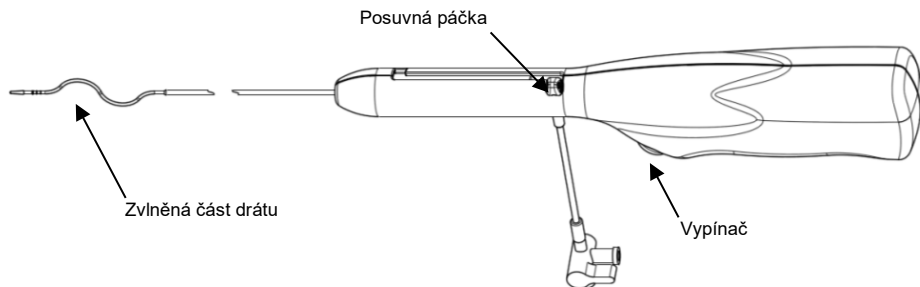
Pracujte sterilní technikou.

Příprava pacienta:

1. Premedikujte pacienta s pomocí vhodných anxiolytik, analgetik a/nebo antibiotik podle protokolu zdravotnického zařízení.

Testování funkce prostředku:

2. Vyjměte systém pro rotační tromboektomií CLEANER 15™ z obalu. Stiskněte VYPÍNAČ a zkontrolujte, zda se zvlněný drát otáčí volně (viz obrázek 2). Uvolněním vypínače zastavte rotátor. **Upozornění: Pokud se rotátor neaktivuje ihned po stisknutí vypínače (a nedeaktivuje ihned po jeho uvolnění), prostředek nepoužívejte.**



Obrázek 2

Periferní cévní systém

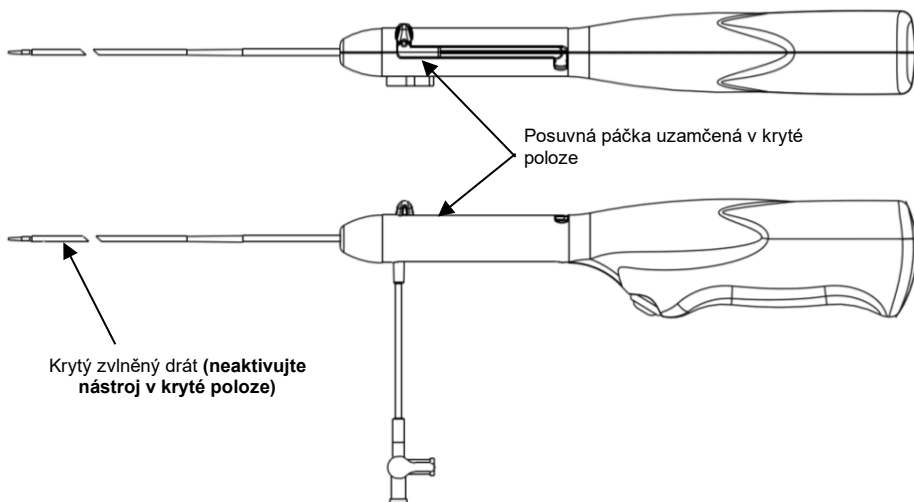
3. Připojte stříkačku s léčebnou látkou nebo heparinizovaným fyziologickým roztokem k proplachovému portu katétru a propláchněte katétr CLEANER 15™. Ujistěte se, že tekutina vychází ven z nejdálšího otvoru katétru, který se nachází u konce katétru. Uzavřete kohout, abyste „uzavřeli“ léčebnou látku nebo heparin v katétru a odstraňte stříkačku.

Léčba:

Přesná léčebná procedura má být určena lékařem. Následující postup popisuje, jak by mohla být procedura provedena.

4. Výkon se systémem pro rotační trombektomií CLEANER 15™ provádějte pod nepřetržitým skioskopickým dohledem. Dokud nepotvrdíte správné umístění prostředku v periferní cévě, nespouštějte rotaci zvlněného drátu (aktivaci prostředku).
5. Podle zvyklostí připravte a zarouškujte místo vpichu.
6. V místě vpichu pro zavedení žilního zaváděče (sheathu) aplikujte lokální anestetikum.
7. Vyberte sheath vhodné velikosti, který se přizpůsobí katétru CLEANER 15™ a dalším prostředkům/ katétrům, které mohou být v průběhu výkonu použity. Maximální velikost vodičícího drátu bude záviset na zvolené sestavě zaváděcího sheathu a dilatátoru. Při průchodu ilickou bifurkací by měl být použit dlouhý vyztužený sheath.
8. Připravte a umístěte žilní zaváděcí sheath podle zvyklostí pracoviště. Žilní sheath se má umístit do žilního ramene periferního cévního systému a nasměřovat k místu plánované léčby. Umístění žilního sheathu může být volitelné v závislosti na míře srážení krve v cévě.
9. Uvedte prostředek do kryté polohy: zatlačte posuvnou páčku do distální polohy a otočte ji tak, aby se uzamkla v kryté poloze (obrázek 3). V kryté poloze má z katétru vyčnívat pouze ohebná špička zvlněného drátu. **Varování: v kryté poloze se prostředek nesmí aktivovat.**
10. Při zavádění skrz chlopeň sheathu přidržíte ohebnou špičku mezi palcem a ukazováčkem. Zaveďte krytý prostředek přes žilní sheath a do žilního ramene periferního cévního řečiště.
11. Připojte 10ml stříkačku obsahující léčebnou látku, která má být podávána, ke kohoutu. Otevřete kohout, abyste umožnili vstup látky. **Varování: neaspirujte krev do katétru.**

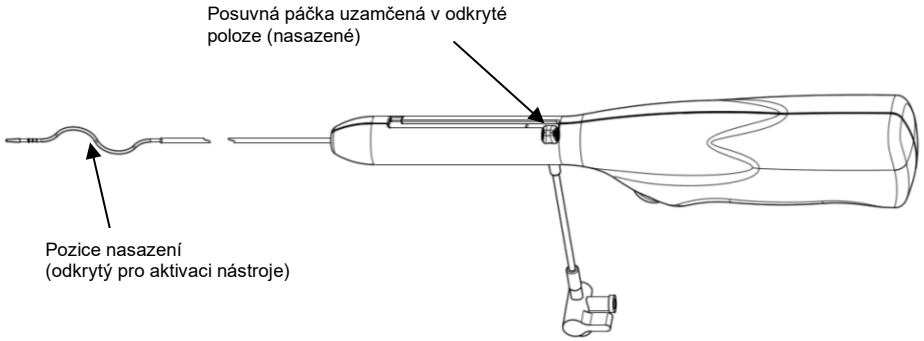
Poznámka: postupujte podle návodu výrobce ve vztahu k rozpouštění a naředění specifikovaných tekutin.



Obrázek 3

12. Posuňte ohebnou špičku co nejvíce distálně ke sráženině. Odkryjte zvlněný drát jeho odemčením s plným posunutím posuvné páčky zpět a otočením posuvné páčky do té doby, než uslyšíte kliknutí (obrázek 4). Ověřte si umístění nástroje uvnitř léčené oblasti pomocí fluoroskopie. Stiskněte vypínač, abyste aktivovali rotaci.

Periferní cévní systém



Obrázek 4

13. S aktivovaným nástrojem pomalu vytahujte rotující zvlněný drát místem léčby, zatímco podáváte léčebnou látku, která má rozpustit sraženinu, přes infusní port. **Varování: doporučujeme vytahovat systém rychlostí 1-2cm/s, pokud je přítomno ostré ohnutí.** Když zvlněný drát dosáhne špičky žilního sheathu, uvolněte vypínač, abyste vypnuli rotující disperzní drát.
14. Zakryjte prostředek a vytáhněte ho z periferního cévního systému. Propláchněte lumen katétru heparinizovaným fyziologickým roztokem a ze zvlněného drátu ručně odstraňte veškerý nahromaděný fibrin.
15. Macerovanou sraženinu aspirujte skrz sheath a aspirát zlikvidujte. **Upozornění: při nepřetržité neúspěšné aspiraci může zkolabovat sheath i céva.**
16. Nastříknete malé množství kontrastní látky skrz žilní sheath, abyste mohli zhodnotit dosažený stupeň odstranění trombu. **Varování: Nevstříkujte nadměrné množství kontrastní látky, aby se minimalizovalo riziko arteriální embolizace.** Zbývající trombus ošetřete opakováním kroků 11-15, dokud nedosáhnete přijatelného odstranění trombu.
17. Jakkmile je odstraňování trombu kompletní, ošetřete všechny doprovodné poruchy nebo stenózy podle zvyklostí pracoviště.
18. Proveďte finální angiografii.
19. Vyjměte sheathy z periferního cévního systému.
20. Zastavte krvácení v místě vpichu/ů podle zvyklostí pracoviště.

Grafty a fistule

INDIKACE POUŽITÍ:

Systém pro rotační trombektomii CLEANER 15™ je určen k mechanickému odstranění sraženin z dialyzačních fistulí (shuntů) z nativních cév a z umělých dialyzačních graftů.

KONTRAINDIKACE:

Použití systému pro rotační trombektomii CLEANER 15™ je kontraindikováno v následujících situacích:

- použití tohoto systému je kontraindikováno, pokud podle lékařského úsudku může taková procedura ohrozit stav pacienta.
- V nativních cévách o průměru menším než 6 mm.
- infekce existujícího hemodialyzačního přístupu.
- nezralý dialyzační shunt z nativní cévy (fistule, která nebyla použita pro alespoň jednu hemodialyzační léčbu).

VAROVÁNÍ A OPATŘENÍ:

- Před použitím prostudujte veškerá varování, upozornění a pokyny v příbalových informacích. Opomenutí tohoto kroku může mít za následek těžké poranění a smrt pacienta.
- Tyto výkony mohou provádět pouze lékaři a zaměstnanci, kteří jsou obeznámeni se zařízením a s potřebnými technikami. Prostředek byl sterilizován ethylenoxidem a je sterilní, pokud není otevřen nebo poškozen obal. Před použitím prohlédněte obal a pokud je poškozen, prostředek **NEPOUŽÍVEJTE**. Tento prostředek je určen k použití pouze u jednoho pacienta; **NEPOUŽÍVEJTE HO OPAKOVANĚ; NERESTERILIZUJTE**.
- Před použitím pečlivě prohlédněte systém pro rotační trombektomii Cleaner 15™ a ověřte, zda nedošlo během přepravy k jeho poškození. Pokud komponenty výrobku vykazují jakékoli známky poškození, **NEPOUŽÍVEJTE JE**.
- Vzhledem k riziku expozice HIV (virus lidské imunodeficiency) či jiným patogenům přenášeným krví je vhodné, aby zdravotnický personál při péči o všechny pacienty dodržoval rutinně obecná ochranná opatření vhodná při práci s krví a s tělními tekutinami. Při veškeré manipulaci s prostředkem se musí přísně dodržovat sterilní postupy.
- Lékaři si musí být vědomi potenciálních komplikací souvisejících s trombolýzou dialyzačních fistulí a graftů, které zahrnují následující:
 - krvácení
 - symptomatická plicní embolie
 - tepenná embolizace
 - alergická reakce na kontrastní látku
 - pseudoaneuryzma
 - bolest a citlivost
 - natržení nebo roztržení cévy
 - infekce
 - perforace tepny nebo žíly
 - hematom
 - smrt
- Při uvolňování zátky z arteriální anastomózy postupujte opatrně, aby se minimalizovalo riziko arteriální embolizace.
- Kvůli nedostatečnému vylučování u hemodialyzovaných pacientů je během tohoto výkonu nutno minimalizovat použité množství kontrastní látky.
- Při déletrvajících aktivacích prostředku CLEANER 15™ může dojít k únavovému selhání zvlněného drátu CLEANER 15™. Narazíte-li na zakřivení s malým poloměrem (např. poloměr smyčkového graftu nebo pištěle o poloměru < 3cm), doporučujeme prostředek vytažovat rychlostí 1-2cm/ sekundu.

DOPORUČENÝ POSTUP:

Pracujte sterilní technikou.

Příprava pacienta:

1. Premedikujte pacienta s pomocí vhodných anxiolytik, analgetik a/nebo antibiotik podle protokolu zdravotnického zařízení.

Testování funkce prostředku:

2. Vyjměte systém pro rotační trombektomii CLEANER 15™ z obalu. Stiskněte VYPÍNAČ a zkontrolujte, zda se zvlněný drát otáčí volně (viz obrázek 2). Uvolněním vypínače zastavte rotátor. **Upozornění: Pokud se rotátor neaktivuje ihned po stisknutí vypínače (a nedeaktivuje ihned po jeho uvolnění), prostředek nepoužívejte.**
3. Propláchněte katétr CLEANER 15™ heparinizovaným fyziologickým roztokem cestou proplachového portu lumina katétru. Před procedurou otočte kohout do polohy uzamčeno.

Procedura trombolýzy:

4. Výkon se systémem pro rotační trombektomii Cleaner 15™ provádějte pod nepřetržitým skioskopickým dohledem. Dokud nepotvrdíte správné umístění prostředku ve fistuli nebo graftu, nespouštějte rotaci zvlněného drátu (aktivaci prostředku).
5. Podle zvyklostí připravte a zaručujte místo vpichu.
6. V místě vpichu pro zavedení žilního sheathu aplikujte lokální anestetikum.
7. Vyberte sheath vhodné velikosti, který se přizpůsobí katétru CLEANER 15™ a dalším prostředkům/ katétrům, které mohou být v průběhu výkonu použity. Maximální velikost vodícího drátu bude záviset na zvolené sestavě zaváděcího sheathu a dilatátoru.
8. Připravte a umístěte žilní zaváděcí sheath podle zvyklostí pracoviště. Žilní sheath se má umístit do žilního ramene graftu a nasměřovat k žilní anastomóze. Umístění žilního sheathu ve fistuli může být volitelné v závislosti na míře srážení krve v cévě.

Grafty a fistule

Pokud je žilní sheath použit, měl by být umístěn v žilním rameni fistule a nasměřován k centrálnímu žilnímu výtoku. Poznámka: pokud není použit žilní sheath v AV fistuli, pokračujte krokem 16.

- Uvedte prostředek do kryté polohy: zatlačte posuvnou páčku do distální polohy a otočte ji tak, aby se uzamkla v kryté poloze (obrázek 3). V kryté poloze má z katétru vyčnívat pouze ohebná špička zvlněného drátu. V kryté poloze se prostředek nesmí aktivovat.
- Při zavádění skrz chlopu sheathu přidržíte ohebnou špičku mezi palcem a ukazováčkem. Zaveďte krytý prostředek přes žilní sheath a do žilního ramene fistule nebo graftu.
- U graftu posuňte ohebnou špičku až k žilní anastomóze. **Varování: Nezavádějte ji za anastomózu.** U píštěle posuňte ohebnou špičku až za střední část nejrozšířenější části sraženiny. Odkryjte zvlněný drát: odemkněte posuvnou páčku a stáhněte ji zcela zpět, poté posuvnou páčkou otáčejte, dokud neuslyšíte cvaknutí (viz obrázek 4). Umístění prostředku uvnitř píštěle nebo graftu ověřte skioskopicky. Stiskněte VYPÍNAČ, aby se spustila rotace.

Poznámka: při odkrytí drátu je potřeba postupovat opatrně, aby se drát neposunul do sraženiny a za anastomózu.

- S aktivovaným nástrojem pomalu vytahujte rotující zvlněný drát grafem nebo fistulí, abyste rozbili sraženinu. **Varování: doporučujeme vytahovat systém rychlostí 1-2cm/s, pokud je přítomno ostré ohnutí.** Když zvlněný drát dosáhne špičky žilního sheathu, uvolněte vypínač, abyste vypnuli rotující disperzní drát.
- Zakryjte prostředek a vytáhněte ho z graftu nebo fistule. Propláchněte lumen katétru heparinizovaným fyziologickým roztokem a ze zvlněného drátu ručně odstraňte veškerý nahromaděný fibrin.
- Macerovanou sraženinu aspirujte skrz sheath a aspirát zlikvidujte. **Upozornění: při nepřetržité neúspěšné aspiraci může zkolabovat sheath i graft/ fistule.**
- Nastříknete malé množství kontrastní látky skrz žilní sheath, aby jste mohli zhodnotit dosažený stupeň odstranění trombu. **Varování: Nevstříkujte nadměrné množství kontrastní látky, aby se minimalizovalo riziko arteriální embolizace.** Zbývající trombus ošetřete opakovaním kroků 11-14, dokud nedosáhnete přijatelného odstranění trombu.
- V místě vpichu aplikujte lokální anestetika (pro zavedení arteriálního sheathu). Připravte a umístěte arteriální sheath podle rychlostí pracoviště. Arteriální sheath má být nasměřován k arteriální anastomóze. **Upozornění: Hroty arteriálního a žilního sheathu se nesmí přikrývat.**
- Při zavádění skrz chlopu sheathu přidržíte ohebnou špičku mezi palcem a ukazováčkem. Zaveďte krytý prostředek přes arteriální sheath a do arteriálního ramene fistule nebo graftu.
- U graftu posuňte ohebnou špičku až k arteriální anastomóze. **Varování: Nezavádějte ji za anastomózu.** U píštěle posuňte ohebnou špičku až za střední část nejrozšířenější části sraženiny. Odkryjte zvlněný drát: odemkněte posuvnou páčku a stáhněte ji zcela zpět, poté posuvnou páčkou otáčejte, dokud neuslyšíte cvaknutí. Umístění prostředku uvnitř píštěle nebo graftu ověřte skioskopicky. Stiskněte VYPÍNAČ, aby se spustila rotace.
- S aktivovaným nástrojem pomalu vytahujte rotující zvlněný drát grafem nebo fistulí, abyste rozbili sraženinu. **Varování: doporučujeme vytahovat systém rychlostí 1-2cm/s, pokud je přítomno ostré ohnutí.** Když zvlněný drát dosáhne špičky arteriálního sheathu, uvolněte vypínač, abyste vypnuli rotující disperzní drát.
- Zakryjte prostředek a vytáhněte ho z graftu nebo fistule. Propláchněte lumen katétru heparinizovaným fyziologickým roztokem a ze zvlněného drátu ručně odstraňte veškerý nahromaděný fibrin.
- Macerovanou sraženinu aspirujte skrz sheath a aspirát zlikvidujte. **Upozornění: při nepřetržité neúspěšné aspiraci může zkolabovat sheath i graft/ fistule.**
- Skrz arteriální sheath protáhněte vhodný katétr a opatrně jej zasuňte za arteriální anastomózu graftu nebo píštěle. Pokud se jedná o balónkový katétr, naplňte balónek. Vtáhněte arteriální zátku do středu arteriálního ramene. Vyprázdněte balónek a vyjměte balónkový katétr.
- Znovu zaveďte prostředek CLEANER 15™ cestou arteriálního sheathu do arteriálního ramene graftu nebo píštěle.
- Odkryjte zvlněný drát a aktivujte prostředek, aby se arteriální zátka rozpadla. K navádění při maceraci použijte kontrastní látku.
- Zakryjte prostředek a vytáhněte ho z graftu nebo fistule. Propláchněte lumen katétru heparinizovaným fyziologickým roztokem a ze zvlněného drátu ručně odstraňte veškerý nahromaděný fibrin.
- Macerovanou tekutinu aspirujte cestou sheathu a aspirát zlikvidujte.
- Nastříknete kontrastní látku a vyhodnoťte stupeň odstranění trombu. Podle potřeby ošetřete jakýkoliv zbývající trombus pomocí prostředku Cleaner 15™ a některého z sheathů.
- Jakmile je odstraňování trombu kompletní, ošetřete všechny doprovodné poruchy nebo stenózy podle rychlostí pracoviště.
- Provedte finální angiografii fistule.
- Vyjměte sheathy z periferního cévního systému.
- Zastavte krvácení v místě vpichu/ů podle rychlostí pracoviště.

VAROVÁNÍ:

Určeno výhradně k jednomu použití. Nepoužívejte opakovaně, nerenovujte, neresterilizujte. Opakované použití, renovace, resterilizace mohou ohrozit strukturální integritu prostředku a/nebo vést k selhání prostředku, které může následně způsobit poranění, onemocnění nebo smrt pacienta. Opakované použití, renovace, resterilizace může způsobit také riziko kontaminace prostředku a nebo může způsobit infekci či zkrříženou infekci včetně přenosu infekčních onemocnění z jednoho pacienta na druhého, ale i další potíže. Kontaminace prostředku může mít za následek poranění, onemocnění nebo smrt pacienta.

SKLADOVÁNÍ:

Skladujte při kontrolované pokojové teplotě. Nevystavujte vlivu organických rozpouštědel, ionizujícímu záření nebo ultrafialovému světlu.

LIKVIDACE:

Katetrizační systém zlikvidujte v souladu se směrnicí o likvidaci elektrických a elektronických zařízení (Waste Electrical and Electronic Equipment Directive, WEEEED) a podle zvyklostí zdravotnického pracoviště týkajících se zdravotnického odpadu (včetně prostředků na jedno použití, přicházejících do styku s krví).

ODMÍTNUTÍ ZÁRUK A OMEZENÍ NÁHRADY:

K výrobkům společnosti Argon Medical popsaným v této publikaci není poskytována žádná vyjádřená ani skrytá záruka, ani žádné skryté záruky prodejnosti nebo připravenosti k určitému účelu. Společnost Argon Medical není za žádné okolnosti odpovědná za žádné přímé, náhodné nebo následné škody jiné, než jsou uvedeny v příslušných právních předpisech. Žádná osoba není oprávněna zavazovat společnost Argon Medical k jakýmkoliv prohlášením nebo zárukám jiným, než je výslovně uvedeno zde.

Popisy a technická data uvedená v tištěných materiálech společnosti Argon Medical (včetně této publikace) slouží výhradně k obecnému popisu výrobku v době jeho výroby a nezakládají žádné vyjádřené záruky.

Společnost Argon Medical neodpovídá za žádné přímé, náhodné nebo následné škody vzniklé na základě opakovaného použití výrobku.



E353911

MEDICAL — GENERAL MEDICAL EQUIPMENT
AS TO ELECTRICAL SHOCK, FIRE AND MECHANICAL HAZARDS ONLY
IN ACCORDANCE WITH IEC60601-1 3rd Ed. & CAN/CSA-C22.2
NO. 60601.1 (2008), AAMI ES 60601-1:2008
4CR3



Slovníček symbolů v elektronické formě je umístěn na
www.argonmedical.com/symbols



EMERGO EUROPE
Westervoortsedijk 60
6827 AT Arnhem
The Netherlands
+31 70 345 8570



ARGON MEDICAL DEVICES, INC.
1445 Flat Creek Road
Athens, Texas 75751 USA
Tel: +1 (903) 675 9321
Tel: +1 (800) 927 4669
www.argonmedical.com



Emergo Consulting (UK) Limited
c/o Cr 360 - UL International
Compass House, Vision Park Histon
Cambridge CB24 9BZ
United Kingdom

CLEANER 15™

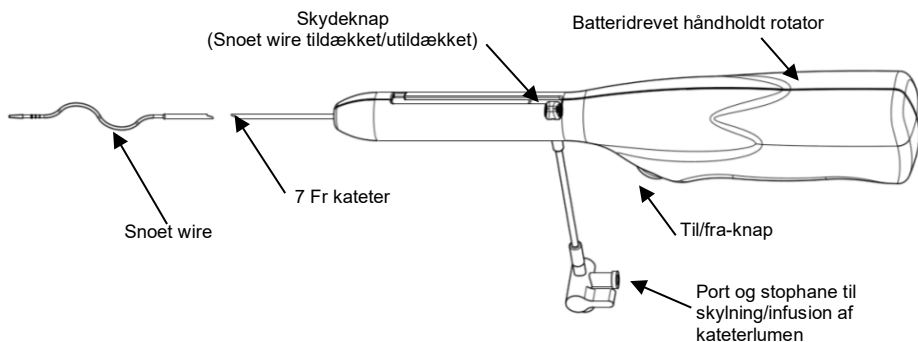
Rotational Thrombectomy System

Danish - Læs alle anvisninger før brug

	sider
Brugsanvisninger til perifere kar.....	1-4
Brugsanvisninger til grafter og fistler.....	5-6

BESKRIVELSE AF ENHEDEN:

CLEANER 15™ Rotational Thrombectomy System er et 7 Fr perkutant, kateterbaseret system (udelt konstruktion). En håndholdt batteridrevet engangsrotator er fastgjort til en snoet wire, der drejer med ca. 4000 omdrejninger i minuttet. Wiren og den atraumatiske, bløde spids er røntgenfaste, så de kan ses ved fluoroskopi.



INDIKATIONER FOR BRUG:

CLEANER 15™ Rotational Thrombectomy System er beregnet til mekanisk fjernelse af blodpropper samt kontrolleret selektiv infusion af lægeordnede væsker inkl. trombolytiske væsker i perifere kar.

KONTRAINDIKATIONER:

CLEANER 15™ Rotational Thrombectomy System er kontraindiceret som følger:

- Dette system er kontraindiceret, når proceduren efter lægens skøn vil forværre patientens tilstand.
- Er ikke beregnet til brug til dilatation af perifere kar.
- Systemet er ikke beregnet til infusion af blod eller blodprodukter.
- Der henvises til indlægssedlen for den valgte terapeutiske opløsning vedrørende indikationer, kontraindikationer, bivirkninger og forholdsregler.
- Patientens egne kar med en diameter under 6 mm.
- Til patienter uden et vaskulært filter som for eksempel et vena cava inferior-filter.

ADVARSLER OG FORHOLDSREGLER:

- Før brug læses alle indlægssedlens advarsler, forholdsregler og anvisninger. Unladelse kan medføre alvorlig patientskade og -død.

Perifere kar

- Disse procedurer må kun udføres af læger og personale, der har erfaring med udstyret og de anvendte teknikker. Enheden er steriliseret med ætylenoxid og er steril, medmindre pakken er åbnet eller beskadiget. Pakken skal undersøges før brug, MÅ IKKE BRUGES, hvis pakken er beskadiget. Enheden er kun beregnet til brug til en enkelt patient og MÅ IKKE GENBRUGES ELLER GENSTERILISERES.
- Før brug undersøges CLEANER 15™ Rotational Thrombectomy System grundigt for at sikre, at det ikke er blevet beskadiget under forsendelsen. Hvis produktets komponenter viser tegn på skade, må det IKKE BRUGES.
- På grund af risikoen for eksponering for HIV (human immundefekt virus) eller andre blodbårne patogener skal sundhedspersonalet ved pleje af alle patienter rutinemæssigt tage almindelige forholdsregler vedrørende blod og kropsvæsker. Der skal bruges sterile teknikker hver gang enheden håndteres.
- Fortsæt ikke indføringen, hvis der stødes på modstand, uden først at afklare årsagen til modstanden under fluoroskopi og om nødvendigt fjerne den. Udøvelse af overdreven kraft i forbindelse med modstand kan resultere i skade på enheden eller karrene.
- Kateteret skal skylles for indføringen, og hver gang CLEANER 15™ fjernes fra det vaskulære system.
- Ophør brugen og udskift kateteret og guidewiren, hvis de kinkes eller skades på anden vis under brug.
- Lægen skal være opmærksom på de mulige komplikationer i forbindelse med trombolyse af perifere kar, heriblandt:
 - Perforation eller ruptur af kar
 - Karspasmer
 - Hæmatom
 - Sepsis/infektion
 - Brud på intima
 - Kartrombose
 - Allergisk reaktion over for kontrastmidler
 - Tromboembolier
 - Distal embolisering af blodpropper
 - Hæmoragi
 - Smertes og ømhed
 - Tromboflebit
 - Dissektion af arterier
 - Bivirkninger
 - Arteriovenøs fistel
 - Amputation
- Der kan muligvis forekomme udmattelsesbrud på CLEANER 15™s snoede wire ved længerevarende brug af CLEANER 15™-enheden. Det anbefales at anvende en tilbagetrækningshastighed på 1-2 cm/sekund, når der stødes på skarpe radier (f.eks radius af en graft- eller fisteløkke, radier < 3 cm).

FORSLAG TIL PROCEDURE:

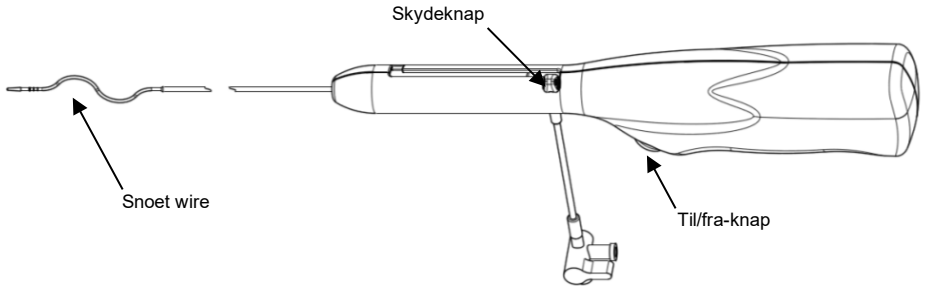
Brug en steril teknik.

Klargøring af patienten:

1. Præmedicinering med et passende anxiolytika, analgetikum og/eller antibiotika i henhold til hospitalets protokol.

Afprøvning af enhedens præstation:

2. Tag CLEANER 15™ Rotational Thrombectomy System ud af pakken. Tryk på TIL/FRA-kontakten for at sikre, at den snoede wire drejer frit (se Figur 2). Slip kontakten for at standse rotatoren. **Forholdsregler: Brug ikke enheden, hvis den ikke aktiveres med det samme, når der trykkes på knappen, og deaktiveres med det samme, når knappen slippes.**



Figur 2

3. Fastgør en sprøjte med den terapeutiske opløsning eller hepariniseret, sterilt saltvand til kateterets skylleport, og skyl CLEANER 15™-kateteret. Sørg for, at væsken løber ud af kateterets distale åbning, der befinder sig i nærheden af enden af kateteret. Luk stophanen for at "læse" lægemidlet eller heparinen i kateteret, og fjern sprøjten.

Behandling:

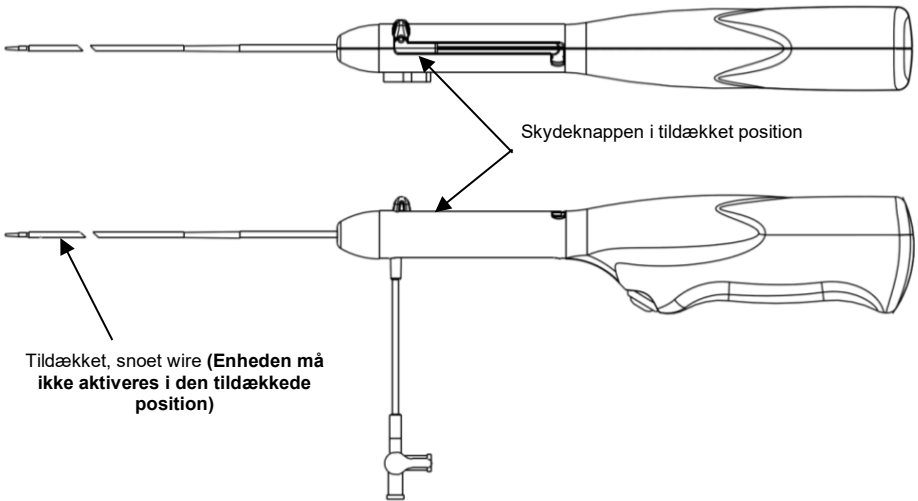
Den nøjagtige procedure bestemmes af lægen. Følgende er en beskrivelse af, hvorledes proceduren kan udføres.

4. Udfør indgrebet under kontinuerlig fluoroskopi. Start ikke rotation af den snoede wire (enhedsaktivering), med mindre enhedens korrekte placering i de perifere kar er bekræftet.
5. Klargør og afdæk punkturstedet som krævet.

Perifere kar

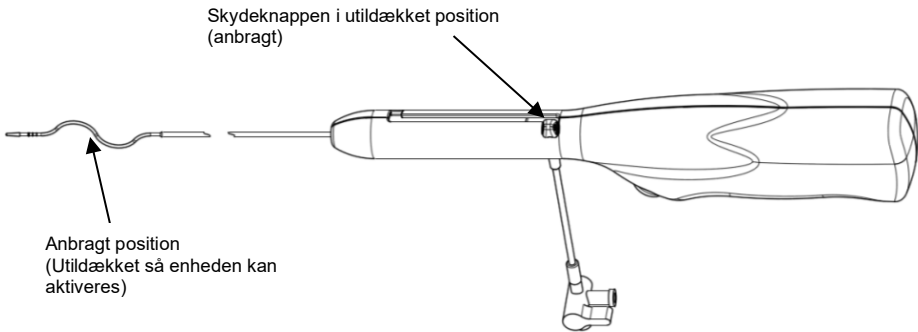
- Giv lokalbedøvelse på punkturstedet, hvor venesheathen skal indføres.
- Vælg en sheath af passende størrelse, hvor der er plads til CLEANER 15™-kateteret og andre enheder/katetre, der anvendes under proceduren. Den maksimale guidewirestørrelse afhænger af den valgte indføringsheath/dilatator. Hvis iliacabifurkaturen krydses, skal der anvendes en lang, forstærket sheath.
- Klargør og indfør veneindføringsheathen i overensstemmelse med hospitalets protokol. Venesheathen skal placeres i venedelen af de perifere kar og rettet mod behandlingsstedet. Placering af venesheathen kan være valgfri afhængigt af trombemængden i karret.
- Placer enheden i den tildækkede position ved at skubbe skydeknappen til den distale position og rotere den, så den låses fast i den tildækkede position (se Figur 3). I den tildækkede position må kun den snoede wires fleksible spids stikke ud af kateteret. **Advarsel: Enheden må ikke aktiveres i den tildækkede position.**
- Støt den fleksible spids med tommel- og pegefingern, når den føres igennem sheathventilen. Før den tildækkede enhed gennem venesheathen og ind i venedelen af de perifere kar.
- Fastgør en 10 ml sprøjte med det lægemiddel, der skal bruges til infusion, på stophanen. Åbn stophanen for at aktivere gennemstrømningen. **Advarsel: Træk ikke blod tilbage i kateteret.**

Bemærk: Følg producentens anvisninger vedrørende rekonstitution og fortynding af de pågældende væsker.



Figur 3

- Før den fleksible spids frem til den mest distale del af blodproppen. Afdæk den snoede wire ved at oplåse og trække skydeknappen helt ud og derefter rotere den, indtil der høres et "klik" (se Figur 4). Bekræft enhedens placering på behandlingsstedet ved hjælp af fluoroskopi. Tryk på TIL/FRA-knappen for at aktivere rotationen.



Figur 4

Perifere kar

13. Når enheden er aktiveret, trækkes den roterende, snoede wire langsomt tilbage langs behandlingsområdet, mens lægemidlet sprøjtes gennem skylleporten for at opløse blodproppen. **Advarsel: Det anbefales at trække tilbage med en hastighed på 1-2 cm/sekund, når der stødes på skarpe radier.** Når den snoede wire når spidsen af venesheathen, gives der slip på knappen, for at slukke for den roterende dispersionswire.
14. Luk enheden og fjern den fra det perifere kar. Skyl kateterlumenet med hepariniseret, sterilt saltvand, og fjern eventuelt akkumuleret fibrin fra den snoede wire.
15. Sug den macererede blodprop ud gennem sheathen, og bortskaf det udsugede materiale. **Forholdsregler: Fortsat mislykket aspiration kan få sheathen og karret til at kollapse.**
16. Indsprøjt en lille mængde kontrastmiddel igennem venesheathen for at kontrollere hvor meget af tromben, der er fjernet. **Advarsel: Undgå for meget injektion af kontrastmiddel for at mindske risikoen for embolisering.** Behandl den resterende trombe ved at gentage trin 11-15, indtil der opnået en acceptabel fjernelse.
17. Når tromben er fjernet helt, behandles den underliggende sygdom eller stenose i overensstemmelse med hospitalets protokol.
18. Udfør et endeligt angiogram.
19. Fjern sheathene fra det perifere kar.
20. Skab hæmostase på punkturstedet/-stederne i henhold til hospitalets protokol.

Grafter eller fistler

INDIKATIONER FOR BRUG:

CLEANER 15™ Rotational Thrombectomy System er beregnet til mekanisk fjernelse af blodpropper i patientens egne kar, dialysefistler og syntetiske grafter til dialyseadgang.

KONTRAINDIKATIONER:

CLEANER 15™ Rotational Thrombectomy System er kontraindiceret som følger:

- Når proceduren efter lægens skøn vil forværre patientens tilstand.
- Patientens egne kar med en diameter under 6 mm.
- Infektion ved eksisterende hæmodialyseadgangssted.
- Umodne dialysefistler i patientens egne kar (fistler, der ikke har været brugt til mindst én dialysebehandling).

ADVARSLER OG FORHOLDSREGLER:

- Før brug læses alle indlægssedlens advarsler, forholdsregler og anvisninger. Undladelse kan medføre alvorlig patientskade og -død.
- Disse procedurer må kun udføres af læger og personale, der har erfaring med udstyret og de anvendte teknikker. Enheden er steriliseret med ætylenoxid og er steril, medmindre pakken er åbnet eller beskadiget. Pakken skal undersøges før brug. MÅ IKKE BRUGES, hvis pakken er beskadiget. Enheden er kun beregnet til brug til en enkelt patient og MÅ IKKE GENBRUGES ELLER GENSTERILISERES.
- Før brug undersøges CLEANER 15™ Rotational Thrombectomy System grundigt for at sikre, at det ikke er blevet beskadiget under forsendelsen. Hvis produktets komponenter viser tegn på skade, må det IKKE BRUGES.
- På grund af risikoen for eksponering for HIV (human immunodefekt virus) eller andre blodbårne patogener skal sundhedspersonalet ved pleje af alle patienter rutinemæssigt tage almindelige forholdsregler vedrørende blod og kropsvæsker. Der skal bruges sterile teknikker hver gang enheden håndteres.
- Lægen skal være opmærksom på de mulige komplikationer i forbindelse med dialysefistler og grafttrombolyse, inklusive:
 - Hæmoragi
 - Symptomatisk lungeemboli
 - Arterieemboli
 - Allergisk reaktion over for kontrastmiddel
 - Pseudoaneurisme
 - Smerter og/eller ømhed
 - Flænger eller brud på kar
 - Infektion
 - Perforation af arterie eller vene
 - Hæmatom
 - Død
- Vær forsigtig, når proppen i den arterielle anastomose løsnes for at mindske risikoen for arteriel embolisering.
- På grund af manglende udskillelse hos hæmodialysepatienter skal der bruges mindst muligt kontrastmiddel i løbet proceduren.
- Der kan muligvis forekomme udmattelsesbrud på CLEANER 15™'s snoede wire ved længerevarende brug af CLEANER 15™-enheden. Det anbefales at anvende en tilbagetrækningshastighed på 1-2 cm/sekund, når der stødes på skarpe radier (f.eks radius af en graft- eller fisteløkke, radier < 3 cm).

FORSLAG TIL PROCEDURE:

Brug en steril teknik.

Klargøring af patienten:

1. Præmediciner med et passende anxiolytika, analgetikum og/eller antibiotika i henhold til hospitalets protokol.

Afprøvning af enhedens præstation:

2. Tag CLEANER 15™ Rotational Thrombectomy System ud af pakken. Tryk på TIL/FRA-kontakten for at sikre, at den snoede wire drejer frit (se Figur 2). Slip kontakten for at standse rotatoren. **Forholdsregler: Brug ikke enheden, hvis den ikke aktiveres med det samme, når der trykkes på knappen, og deaktiveres med det samme, når knappen slippes.**
3. Skyl CLEANER 15™-kateteret med hepariniseret saltvand igennem kateterlumenets skylleport. Drej stophanen tilbage til frapositionen før indgrebet.

Trombolyseprocedure:

4. Udfør CLEANER 15™ trombolyseproceduren under kontinuerlig fluoroskopi. Start ikke rotation af den snoede wire (enhedsaktivering), medmindre korrekt placering af enheden i fistlen eller graften er bekræftet.
5. Klargør og afdæk punkturstedet som krævet.
6. Giv lokalbedøvelse på punkturstedet, hvor venesheathen skal indføres.
7. Vælg en sheath af passende størrelse til CLEANER 15™-kateteret og andre enheder/katetre, der anvendes under proceduren. Den maksimale guidewirestørrelse afhænger af den valgte indføringsheath/dilatator.
8. Klargør og indfør veneindføringsheathen i overensstemmelse med hospitalets protokol. Venesheathen skal placeres i graftens venedel og rettes mod den venøse anastomose. Placering af venesheathen i fistler er valgfri og afhænger af mængden af tromber i karret. Hvis der bruges en venesheath, skal den placeres i venedelen af fistlen og være rettet mod den centrale venestrøm. Bemærk: Gå videre til trin 16, hvis der ikke anvendes en venesheath i AV-fistlen.

Grafter eller fistler

9. Placer enheden i den tildækkede position ved at skubbe skydeknappen til den distale position og rotere den, så den låses fast i den tildækkede position (se Figur 3). I den tildækkede position må kun den snoede wires fleksible spids stikke ud af kateteret. Enheden må ikke aktiveres i den tildækkede position.
10. Støt den fleksible spids med tommel- og pegefingern, når den føres igennem sheathventilen. Indsæt den tildækkede enhed gennem venesheathen og ind i venedelen af fistlen eller graften.
11. I en graft føres den fleksible spids frem op til den venøse anastomose. **Advarsel: Før ikke videre frem end til anastomosen.** I en fistel føres den fleksible spids frem til den mest centrale del af blodproppen. Afdæk den snoede wire ved at opløse og trække skydeknappen helt ud og derefter rotere den, indtil der høres et "klik" (se Figur 4). Bekræft enhedens placering i fistlen eller graften ved hjælp af fluoroskopi. Tryk på TIL/FRA-knappen for at aktivere rotationen.
Bemærk: Vær forsigtig, når wiren afdækkes, så det undgås at føre wiren ind i blodproppen og forbi anastomosen.
12. Når enheden er aktiveret, trækkes den roterende wire langsomt tilbage langs graften eller fistlen for at opløse blodproppen. **Advarsel: Det anbefales at trække tilbage med en hastighed på 1-2 cm/sekund, når der stødes på skarpe radier.** Når den snoede wire når spidsen af venehylstret, slukkes rotatoren ved at knappen slippes.
13. Tildæk enheden, og fjern den fra graften eller fistlen. Skyl kateterlumenet med hepariniseret, steril saltvand, og fjern eventuelt akkumuleret fibrin fra den snoede wire.
14. Sug den macerede blodprop ud gennem sheathen, og bortskaf det udsugede materiale. **Forholdsregler: Forsat mislykket aspiration kan få sheathen og graften/fistlen til at kollapse.**
15. Indsprøjt en lille mængde kontrastmiddel igennem venesheathen for at kontrollere hvor meget af tromben, der er fjernet. **Advarsel: Undgå for meget injektion af kontrastmiddel for at mindske risikoen for arterieembolier.** Behandl den resterende trombe ved at gentage trin 11-14, indtil der opnået en acceptabel fjernelse.
16. Giv lokalbedøvelse på punkturstedet, hvor arteriesheathen skal indføres. Klargør og indfør arterieindføringsheathen i overensstemmelse med hospitalets protokol. Arteriesheathen skal være rettet mod den arterielle anastomose. **Forholdsregler: Spidserne af arterie- og venesheathene må ikke overlappe.**
17. Støt den fleksible spids med tommel- og pegefingern, når den føres igennem sheathventilen. Indsæt den tildækkede enhed gennem arteriesheathen og ind i arteriedelen af fistlen eller graften.
18. I en graft føres den fleksible spids op til den arterielle anastomose. **Advarsel: Før ikke videre frem end til anastomosen.** I en fistel føres den fleksible spids frem til den mest centrale del af blodproppen. Afdæk den snoede wire ved først at opløse og trække skydeknappen helt ud og derefter rotere den, indtil der høres et "klik". Bekræft enhedens placering i fistlen eller graften ved hjælp af fluoroskopi. Tryk på TIL/FRA-knappen for at aktivere rotationen.
19. Når enheden er aktiveret, trækkes den roterende, snoede wire i den utildækkede position tilbage langs med graften eller fistlen for at opløse blodproppen. **Advarsel: Det anbefales at trække den tilbage med en hastighed på 1-2 cm/sekund, når der stødes på skarpe radier.** Når den snoede wire når spidsen af arteriehylstret, slukkes rotatoren, ved at knappen slippes.
20. Tildæk enheden, og fjern den fra graften eller fistlen. Skyl kateterlumenet med hepariniseret, steril saltvand, og fjern eventuelt akkumuleret fibrin fra den snoede wire.
21. Sug den macerede blodprop ud ved hjælp af et af sheathene, og bortskaf det udsugede materiale. **Forholdsregler: Forsat mislykket aspiration kan få sheathen og graften/fistlen til at kollapse.**
22. Før et passende kateter igennem arteriesheathen, og før det forsigtigt forbi graftens eller fistlens arterieanastomose. Pust ballonen op, hvis der anvendes et ballonkateter. Træk arterieproppen ind midt i arteriedelen. Tøm ballonen, og fjern ballonkateteret.
23. Før den tildækkede CLEANER 15™-enhed gennem arteriesheathen og ind i graftens eller fistlens arteriedel.
24. Afdæk den snoede wire, og aktiver enheden for at fragmentere den arterielle prop. Brug kontrastmiddel til at guide macerationen.
25. Tildæk enheden, og fjern den fra graften eller fistlen. Skyl kateterlumenet med hepariniseret, steril saltvand, og fjern eventuelt akkumuleret fibrin fra den snoede wire.
26. Sug den macerede blodprop ud gennem sheathen, og bortskaf det udsugede materiale.
27. Indsprøjt kontrastmiddel for at kontrollere hvor meget af tromben, der er fjernet. Om nødvendigt behandles eventuelle resterende tromber med brug af CLEANER 15™ og et af sheathene.
28. Når tromben er fjernet helt, behandles den underliggende sygdom eller stenose i overensstemmelse med hospitalets protokol.
29. Udfør et endeligt fistelogram.
30. Fjern sheathene fra fistlen eller graften.
31. Skab hæmostase på punkturstedet/-stederne i henhold til hospitalets protokol.

ADVARSEL:

Kun til engangsbrug. Må ikke genanvendes, genbehandles eller gensteriliseres. Genbrug, genbehandling eller gensterilisering kan kompromittere enhedens strukturelle integreret og/eller medføre, at enheden ikke virker, hvilket igen kan føre til patientskade, -sygdom eller -død. Genbrug, genbehandling eller gensterilisering medfører også risiko for kontaminering af enheden og/eller for at forårsage infektioner eller krydsinfektioner i patienten inklusive, men ikke begrænset til, overførsel af infektionssygdom(me) fra en patient til en anden. Kontaminering af enheden kan medføre patientskade, -sygdom eller -død.

OPBEVARING:

Skal opbevares ved rumtemperatur. Må ikke udsættes for organiske opløsningsmidler, ioniserende stråling eller ultraviolet lys.

BORTSKAFFELSE:

Bortskaffelse af katetersystemet skal ske i overensstemmelse med direktivet for bortskaffelse af elektrisk og elektronisk affald (WEEE) og i overensstemmelse med institutionens standardprocedurer for medicinsk affald inklusive engangsudstyr og enheder, der er kontamineret med blod.

ANSVARSRASKRIVELSE OG BEGRÆNSEDE RETSMIDLER:

Der ydes ingen udtrykkelig eller stiltiende garanti, herunder og uden begrænsninger nogen stiltiende garanti for salgbarhed eller egnethed til noget bestemt formål, vedrørende produktet/produkterne fra Argon Medical som beskrevet i denne publikation. Argon Medical kan under ingen omstændigheder gøres ansvarlig for nogen direkte eller hændelige skader eller følgeskader, udover hvad der udtrykkeligt er indeholdt i specifik lovgivning. Ingen person er bemyndiget til at binde Argon Medical til nogen erklæring eller garanti, ud over hvad der specifikt er udtrykt heri.

Beskrivelser og specifikationer i trykte materialer fra Argon Medical, inklusive denne publikation, er udelukkende beregnet på at give en generel beskrivelse af produktet på tidspunktet for fremstillingen og udgør ikke i sig selv nogen udtrykkelig garanti.

Argon Medical kan ikke holdes ansvarlig for nogen direkte eller hændelige skader eller følgeskader forbundet med genbrug af produktet.



E353911

MEDICAL — GENERAL MEDICAL EQUIPMENT
AS TO ELECTRICAL SHOCK, FIRE AND MECHANICAL HAZARDS ONLY
IN ACCORDANCE WITH IEC60601-1 3rd Ed. & CAN/CSA-C22.2
NO. 60601.1 (2008), AAMI ES 60601-1:2008
4CR3



Symbolforklaringen findes elektronisk på
www.argonmedical.com/symbols



EMERGO EUROPE
Westervoortsedijk 60
6827 AT Arnhem
The Netherlands
+31 70 345 8570



ARGON MEDICAL DEVICES, INC.
1445 Flat Creek Road
Athens, Texas 75751 USA
Tel: +1 (903) 675 9321
Tel: +1 (800) 927 4669
www.argonmedical.com



Emergo Consulting (UK) Limited
c/o Cr 360 - UL International
Compass House, Vision Park Histon
Cambridge CB24 9BZ
United Kingdom

CLEANER 15™

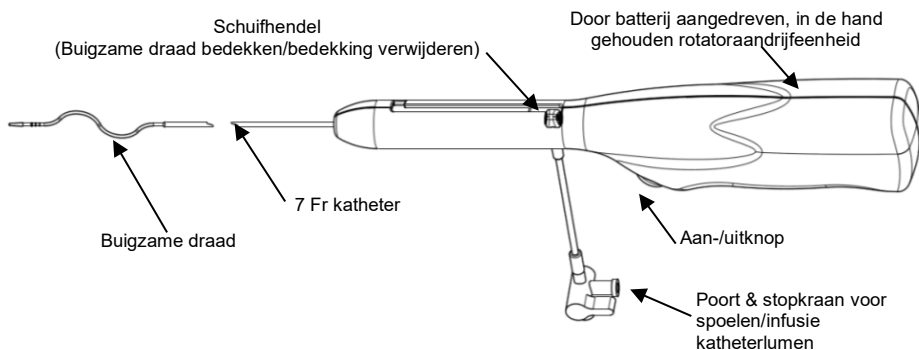
Rotational Thrombectomy System

Dutch - Alle aanwijzingen dienen gelezen te worden voor gebruik

	pagina's
Aanwijzingen voor gebruik in perifere vasculatuur	1-4
Aanwijzingen voor gebruik bij transplantaten en fistels	5-6

HULPMIDDELBESCHRIJVING:

Het CLEANER 15™ rotationeel trombectomiesysteem is gebaseerd op een percutane katheter van 7Fr (constructie uit één stuk). Een in de hand gehouden, door batterij aangedreven rotatoraandrijfeenheid voor eenmalig gebruik is vastgemaakt aan een buigzame draad die roteert met ongeveer 4000 RPM. De draad en de atraumatische zachte tip zijn radiopaak ten behoeve van fluoroscopische visualisatie.



Figuur 1

GEBRUIKSINDICATIES:

Het CLEANER 15™ rotationeel trombectomiesysteem is geïndiceerd voor het mechanisch verwijderen van stolsels en beheerste, selectieve infusie van door een arts voorgeschreven vloeistoffen, waaronder trombolysmiddelen, in de perifere vasculatuur.

CONTRA-INDICATIES:

Het CLEANER 15™ rotationeel trombectomiesysteem is gecontra-geïndiceerd in de volgende gevallen:

- Het systeem is gecontra-geïndiceerd wanneer, naar het medische oordeel van de arts, een dergelijke ingreep de gezondheid van de patiënt aan zou kunnen tasten.
- Niet ontworpen voor dilataties van de perifere vasculatuur.
- Dit systeem is niet bedoeld voor infusie van bloed of bloedproducten.
- Raadpleeg de productbijsluiters van de gekozen therapeutische oplossing voor indicaties, contra-indicaties, bijwerkingen en voorzorgsmaatregelen.
- In aangeboren bloedvaten smaller dan 6 mm in diameter
- Bij patiënten zonder vasculair filter zoals een vena cava inferior filter.

Perifere vasculatuur

WAARSCHUWINGEN EN VOORZORGSMAATREGELEN:

- Lees voorafgaand aan het gebruik alle waarschuwingen, voorzorgsmaatregelen en aanwijzingen in de verpakking/bijsluiter. Het nalaten hiervan kan leiden tot ernstig letsel bij de patiënt en overlijden.
- Deze ingrepen mogen alleen uitgevoerd worden door artsen die en personeel dat bekend is met de apparatuur en de betrokken technieken. Het hulpmiddel is gesteriliseerd d.m.v. EtO en is steriel tenzij de verpakking geopend of beschadigd is. De verpakking dient voorafgaand aan het gebruik onderzocht te worden; indien deze beschadigd is, NIET GEBRUIKEN. Het hulpmiddel is uitsluitend bedoeld voor gebruik bij één patiënt; NIET HERGEBRUIKEN OF OPNIEUW STERILISEREN.
- Voorafgaand aan het gebruik dient u het CLEANER 15™ rotationeel trombectomiesysteem zorgvuldig te onderzoeken om te verifiëren dat het niet beschadigd is tijdens het transport. Als onderdelen van het product enig teken van beschadiging vertonen, NIET GEBRUIKEN.
- Gezien het risico van blootstelling aan HIV (Human Immunodeficiency Virus) of andere ziekteverwekkers in bloed dienen zorgverleners regelmatig gebruik te maken van universele voorzorgsmaatregelen i.v.m. bloed en lichaamsvloeistoffen in de omgang met alle patiënten. Er moet strikt de hand gehouden worden aan steriele techniek tijdens het hanteren van het hulpmiddel.
- Ga niet verder wanneer weerstand gevoeld wordt, zonder eerst de oorzaak van de weerstand vast te stellen onder fluoroscopie en de nodige maatregelen te nemen om die op te lossen. Overmatige kracht tegen weerstand kan beschadiging van het hulpmiddel of de vasculatuur veroorzaken.
- Voorafgaand aan het inbrengen en elke keer wanneer de CLEANER 15™ uit het vaatsysteem verwijderd wordt, dient de katheter gespoeld te worden.
- Als de katheter of voerdraad geknikt of anderszins beschadigd raakt tijdens gebruik, moet u stoppen met het gebruik en het hulpmiddel vervangen.
- De arts moet zich bewust zijn van mogelijke complicaties die samenhangen met trombolysen in de perifere vasculatuur, waaronder:
 - Perforatie of ruptuur van bloedvaten
 - Bloedvat spasme
 - Hematoom
 - Sepsis/Infectie
 - Verstoring van intima
 - Vasculaire trombose
 - Allergische reactie op contrastvloeistof
 - Trombo-embolische voorvallen
 - Distale embolisatie van bloedstolsels
 - Bloeding
 - Pijn en gevoeligheid
 - Tromboflebitis
 - Dissectie van slagader
 - Reacties op medicatie
 - Arterioveneuze fistel
 - Amputatie
- Er kan mogelijk vermoeidheidsbreuk van de buigzame CLEANER 15™ draad optreden bij langdurig gebruik van het CLEANER 15™ hulpmiddel. Een terugtreknelheid van 1-2 cm/seconde wordt aanbevolen wanneer men scherpe bochten tegenkomt (d.w.z. de ronding van een lustransplantaat of fistel; rondingen < 3 cm).

EEN AANBEVOLEN PROCEDURE:

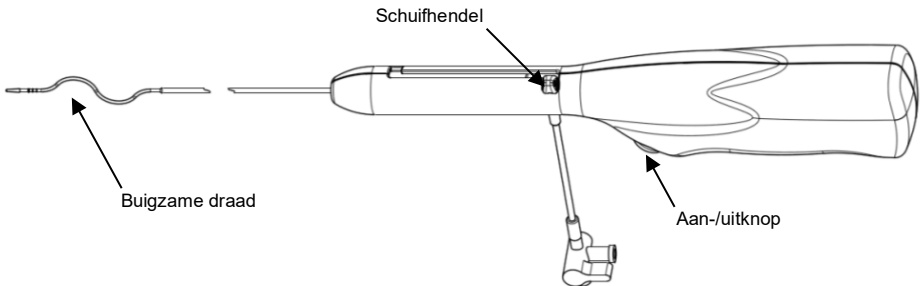
Gebruik een steriele techniek.

Vorbereiding van de patiënt:

1. Geef als premedicatie een geschikt anxiolyticum, pijnstiller en/of antibiotica volgens het ziekenhuisprotocol.

Testen van werking van het hulpmiddel:

2. Verwijder het CLEANER 15™ rotationeel trombectomiesysteem uit de verpakking. Druk op de AAN-UITknop om u ervan te verzekeren dat de buigzame draad vrij rond kan draaien (zie figuur 2). Laat de knop los zodat de rotator stopt. **Voorzorgsmaatregel: Gebruik het hulpmiddel niet als het niet onmiddellijk start wanneer de knop ingedrukt wordt, en als het niet onmiddellijk stopt wanneer de knop losgelaten wordt.**



Figuur 2

Perifere vasculatuur

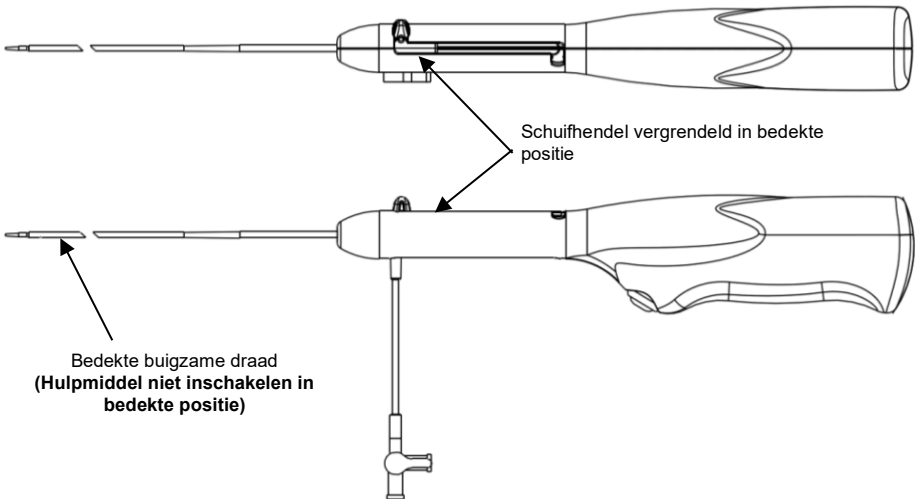
3. Bevestig een injectiespuit met therapeutisch middel of gehepariniseerde zoutoplossing aan de spoelpoort van de katheter en spoel de CLEANER 15™ katheter. Let erop dat er vloeistof naar buiten moet komen uit het meest distale kathetertag, dat zich dicht bij het einde van de katheter bevindt. Sluit de stopkraan om het therapeutische middel of de heparine "op te sluiten" in de katheter en verwijder de injectiespuit.

Behandeling:

De exacte behandelprocedure dient door de arts bepaald te worden. De volgende optie beschrijft hoe de ingreep uitgevoerd zou kunnen worden.

4. Voer de ingreep uit onder voortdurende fluoroscopie. Het roteren van de buigzame draad (inschakelen van het hulpmiddel) mag niet gestart worden tenzij bevestigd is dat het hulpmiddel op de juiste positie in de perifere vasculatuur geplaatst is.
5. Bereid de punctielocatie voor en dek die af zoals vereist.
6. Dien een lokale verdoving toe op de punctielocatie voor het inbrengen van een veneuze huls.
7. Selecteer een huls die groot genoeg is om plaats te bieden aan de CLEANER 15™ katheter en andere hulpmiddelen/katheters die mogelijk tijdens de ingreep gebruikt zullen worden. De maximale voerdraadafmeting hangt af van de gekozen inbrenghuls/verwijdingsconstructie. Indien de bifurcatie van de arteria iliaca overgestoken wordt, dient een lange versterkte draad gebruikt te worden.
8. Bereid de veneuze inbrenghuls voor en plaats deze volgens het ziekenhuisprotocol. De veneuze huls dient in de veneuze aftakking van de perifere vasculatuur geplaatst te worden, en gericht te worden naar de behandelplaats toe. Het plaatsen van de veneuze huls kan optioneel zijn, afhankelijk van de hoeveelheid stolsels in het bloedvat.
9. Zet het hulpmiddel in de bedekte positie door de schuifhendel naar de distale positie te duwen en de schuifhendel te roteren zodat deze in de bedekte positie vergrendeld wordt (zie figuur 3). In de bedekte positie hoort alleen de flexibele tip van de buigzame draad buiten de katheter uit te steken. **Waarschuwing: Het hulpmiddel mag niet ingeschakeld worden in de bedekte positie.**
10. Ondersteun de flexibele tip tussen duim en wijsvinger tijdens het inbrengen via de klep van de huls. Breng het bedekte hulpmiddel in via de veneuze huls, de veneuze aftakking van de perifere vasculatuur in.
11. Bevestig een injectiespuit van 10 cc die het therapeutische middel bevat dat bedoeld is voor infusie naar de stopkraan. Open de stopkraan om doorstroming mogelijk te maken. **Waarschuwing: Trek geen bloed terug de katheter in.**

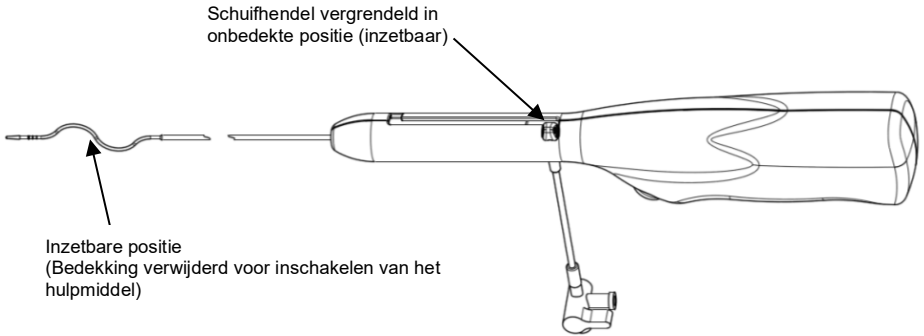
Opmerking: Houd u aan de aanwijzingen van de fabrikant betreffende oplossen en verdunnen van gespecificeerde vloeistoffen.



Figuur 3

12. Voer de flexibele tip op naar het meest distale uiteinde van het stolsel. Verwijder de bedekking van de buigzame draad door de schuifhendel te ontgrendelen, volledig terug te trekken en te roteren totdat u een "klik" hoort (zie figuur 4). Controleer de positie van het hulpmiddel binnen de behandellocatie via fluoroscopie. Druk de AAN/UITknop in om het roteren te starten.

Perifere vasculatuur



Figuur 4

13. Terwijl het hulpmiddel ingeschakeld is, trekt u de roterende buigzame draad langzaam terug door de behandellocatie terwijl u therapeutisch middel door de infusiepoort infundeert om het stolsel kapot te maken. **Waarschuwing: Een terugtreksnelheid van 1-2 cm/seconde wordt aanbevolen wanneer men scherpe bochten tegenkomt.** Wanneer de buigzame draad de tip van de veneuze huls bereikt, laat u de schakelaar los zodat de roterende draad uitgeschakeld wordt.
14. Bedek het hulpmiddel en verwijder het uit de perifere vasculatuur. Spoel het katheterlumen met gehepariniseerde zoutoplossing en verwijder met de hand eventuele opgehoopte fibrine van de buigzame draad.
15. Aspireer het zacht geworden stolsel via de huls en voer het aspiraaf. **Voorzorgsmaatregel: Door langdurig aspireren zonder succes kunnen de huls en het bloedvat ineenzakken.**
16. Injecteer een kleine hoeveelheid contrastvloeistof via de veneuze huls om te bepalen in welke mate de trombus verwijderd is. **Waarschuwing: Vermijd het injecteren van teveel contrastvloeistof om het risico op embolisatie te minimaliseren.** Behandel de achtergebleven trombus door de stappen 11-15 te herhalen totdat de trombus naar tevredenheid verwijderd is.
17. Wanneer de trombus volledig verwijderd is, behandelt u eventuele onderliggende aandoening of stenose volgens het ziekenhuisprotocol.
18. Voer het laatste angiogram uit.
19. Verwijder de hulzen uit de perifere vasculatuur.
20. Zorg voor het stoppen van bloeding op de punctielocatie(s) volgens het ziekenhuisprotocol.

Transplantaten en fistels

GEBRUIKSINDICATIES:

Het CLEANER 15™ rotationeel trombectomiesysteem is geïndiceerd voor het mechanisch verwijderen van stolsels in dialysefistels in aangeboren bloedvaten en synthetische toegangstransplantaten voor dialyse.

CONTRA-INDICATIES:

Het CLEANER 15™ rotationeel trombectomiesysteem is contra-geïndiceerd in de volgende gevallen:

- Wanneer naar het medische oordeel van de arts een dergelijke ingreep een nadelige invloed zou kunnen hebben op de conditie van de patiënt.
- In aangeboren bloedvaten smaller dan 6 mm in diameter
- Bij bestaande infectie op de toegangslocatie voor hemodialyse.
- Bij onvolgroeide dialysefistels in aangeboren bloedvaten (fistels die bij minstens één hemodialysebehandeling niet gebruikt zijn).

WAARSCHUWINGEN EN VOORZORGSMAATREGELEN:

- Lees voorafgaand aan het gebruik alle waarschuwingen, voorzorgsmaatregelen en aanwijzingen in de verpakkingsbijsluiters. Het nalaten hiervan kan leiden tot ernstig letsel bij de patiënt en overlijden.
- Deze ingrepen mogen alleen uitgevoerd worden door artsen en personeel dat bekend is met de apparatuur en de betrokken technieken. Het hulpmiddel is gesteriliseerd d.m.v. EtO en is steriel tenzij de verpakking geopend of beschadigd is. De verpakking dient voorafgaand aan het gebruik onderzocht te worden; indien deze geschadigd is, NIET GEBRUIKEN. Het hulpmiddel is uitsluitend bedoeld voor gebruik bij één patiënt; NIET HERGEBRUIKEN OF OPNIEUW STERILISEREN.
- Voorafgaand aan het gebruik dient u het CLEANER 15™ rotationeel trombectomiesysteem zorgvuldig te onderzoeken om te verifiëren dat het niet beschadigd is tijdens het transport. Als onderdelen van het product enig teken van beschadiging vertonen, NIET GEBRUIKEN.
- Gezien het risico van blootstelling aan HIV (Human Immunodeficiency Virus) of andere ziekteverwekkers in bloed dienen zorgverleners regelmatig gebruik te maken van universele voorzorgsmaatregelen i.v.m. bloed en lichaamsvloeistoffen in de omgang met alle patiënten. Er moet strict de hand gehouden worden aan steriele techniek tijdens het hanteren van het hulpmiddel.
- De arts moet zich bewust zijn van mogelijke complicaties die samenhangen met trombolysen bij dialysefistels en transplantaten, waaronder:
 - Bloeding
 - Symptomatische longembolie
 - Slagaderembolisatie
 - Allergeïsche reactie op contrastvloeistoffen
 - Pseudoaneurysme
 - Pijn en/of gevoeligheid
 - Scheuring of verstoring van bloedvaten
 - Infectie
 - Perforatie van de slagader of ader
 - Hematoom
 - Overlijden
- Voorzichtigheid is geboden bij het losmaken van de prop bij de arteriële anastomose om het risico van slagaderembolisatie te minimaliseren.
- Aangezien hemodialysepatiënten vaak een lage uitscheiding hebben, dient het gebruik van contrastvloeistof tijdens de gehele ingreep tot een minimum beperkt te worden.
- Er kan mogelijk vermoeidheidsbreuk van de buigzame CLEANER 15™ draad optreden bij langdurig gebruik van het CLEANER 15™ hulpmiddel. Een terugtreknelheid van 1-2 cm/seconde wordt aanbevolen wanneer men scherpe bochten tegenkomt (d.w.z. de ronding van een lustransplantaat of fistel; rondingen < 3 cm).

EEN AANBEVOLEN PROCEDURE:

Gebruik een steriele techniek.

Voorbereiding van de patiënt:

1. Geef als premedicatie een geschikt anxiolyticum, pijnstiller en/of antibiotica volgens het ziekenhuisprotocol.

Testen van hulpmiddel:

2. Verwijder het CLEANER 15™ rotationeel trombectomiesysteem uit de verpakking. Druk op de AAN-UITknop om u ervan te verzekeren dat de buigzame draad vrij rond kan draaien (zie figuur 2). Laat de knop los zodat de rotator stopt. **Voorzorgsmaatregel: Gebruik het hulpmiddel niet als het niet onmiddellijk start wanneer de knop ingedrukt wordt, en onmiddellijk stopt wanneer de knop losgelaten wordt.**
3. Spoel de CLEANER 15™ katheter met gehepariniseerde zoutoplossing via de spoelpoort van het katheterlumen. Zet de kraan weer in de Uit-positie voordat deze gebruikt wordt.

Ingreep voor trombolysen:

4. Voer de volledige CLEANER 15™ trombolysen-ingreep uit onder voortdurende fluoroscopie. Het roteren van de buigzame draad (inschakelen van het hulpmiddel) mag niet gestart worden tenzij bevestigd is dat het hulpmiddel op de juiste positie in de fistel of de graft geplaatst is.
5. Bereid de punctielocatie voor en dek die af zoals vereist.
6. Dien een lokale verdoving toe op de punctielocatie voor het inbrengen van een veneuze huls.

Transplantaten en fistels

7. Selecteer een huls die groot genoeg is om plaats te bieden aan de CLEANER 15™ katheter en andere hulpmiddelen/katheters die mogelijk tijdens de ingreep gebruikt zullen worden. De maximale maat van de voerdraad hangt af van de gekozen inbrenghuls/verwijdingsconstructie.
8. Bereid de veneuze inbrenghuls voor en plaats deze volgens het ziekenhuisprotocol. De veneuze huls dient in de veneuze aftakking van het transplantaat geplaatst te worden, en gericht te worden naar de veneuze anastomose. Bij fistels kan het plaatsen van de veneuze huls optioneel zijn, afhankelijk van de hoeveelheid stolsels in het bloedvat. Indien er een veneuze huls gebruikt wordt, dient deze in de veneuze aftakking van de fistel geplaatst te worden, en gericht te worden naar de centrale veneuze uitstroming. Opmerking: Indien er geen veneuze huls gebruikt wordt bij de AV-fistel, gaat u verder met stap 16.
9. Zet het hulpmiddel in de bedekte positie door de schuifhendel naar de distale positie te duwen en de schuifhendel te roteren zodat deze in de bedekte positie vergrendeld wordt (zie figuur 3). In de bedekte positie hoort alleen de flexibele tip van de buigzame draad buiten de katheter uit te steken. Het hulpmiddel mag niet ingeschakeld worden in de bedekte positie.
10. Ondersteun de flexibele tip tussen duim en wijsvinger tijdens het inbrengen via de klep van de huls. Breng het bedekte hulpmiddel in via de veneuze huls, de veneuze aftakking van de fistel of het transplantaat in.
11. In een graft voert u de flexibele tip op tot de veneuze anastomose. **Waarschuwing: Voer de tip niet op tot voorbij de anastomose.** In een fistel voert u de flexibele tip op naar het meest centrale gedeelte van het stolsel. Verwijder de bedekking van de buigzame draad door de schuifhendel te ontgrendelen, volledig terug te trekken en te roteren totdat u een "klik" hoort (zie figuur 4). Controleer de positie van het hulpmiddel binnen de fistel of de graft via fluoroscopie. Druk de AAN-/UIT-knop in om het roteren te starten.
Opmerking: Voorzichtigheid is geboden bij het verwijderen van de bedekking van de draad, om te voorkomen dat de draad opgevoerd wordt tot in het stolsel, voorbij de anastomose.
12. Terwijl het hulpmiddel ingeschakeld is, trekt u de roterende buigzame draad langzaam terug door het transplantaat of de fistel terwijl u therapeutisch middel door de infusiepoort infundeert om het stolsel kapot te maken. **Waarschuwing: Een terugtreknelheid van 1-2 cm/seconde wordt aanbevolen wanneer men scherpe bochten tegenkomt.** Wanneer de buigzame draad de tip van de veneuze huls bereikt, laat u de schakelaar los om de rotator uit te schakelen.
13. Bedek het hulpmiddel en verwijder het uit het transplantaat of de fistel. Spoel het katheterlumen met gehepariniseerde zoutoplossing en verwijder met de hand eventuele opgehoopte fibrine van de buigzame draad.
14. Aspireer het zacht geworden stolsel via de introducer en voer het aspiraaf af. **Voorzorgsmaatregel: Door langdurig aspireren zonder succes kunnen de introducer en het de graft/ fistel inklappen.**
15. Injecteer een kleine hoeveelheid contrastvloeistof via de veneuze huls om te bepalen in welke mate de trombus verwijderd is. **Waarschuwing: Vermijd het injecteren van teveel contrastvloeistof om het risico op arteriële embolisatie te minimaliseren.** Behandel de achtergebleven trombus door de stappen 11-14 te herhalen totdat de trombus naar tevredenheid verwijderd is.
16. Dien een lokale verdoving toe op de punctielocatie voor het inbrengen van een arteriële huls. Bereid de arteriële inbrenghuls voor en plaats deze volgens het ziekenhuisprotocol. De arteriële huls dient gericht te zijn naar de arteriële anastomose. **Voorzorgsmaatregel: De tips van de arteriële en de veneuze huls mogen elkaar niet overlappen.**
17. Ondersteun de flexibele tip tussen duim en wijsvinger tijdens het inbrengen via de klep van de huls. Breng het bedekte hulpmiddel in via de arteriële huls, de arteriële aftakking van de fistel of het transplantaat in.
18. In een graft voert u de flexibele tip op tot de arteriële anastomose. **Waarschuwing: Voer de tip niet op tot voorbij de anastomose.** In een fistel voert u de flexibele tip op naar het meest centrale gedeelte van het stolsel. Verwijder de bedekking van de buigzame draad door de schuifhendel te ontgrendelen, volledig terug te trekken en te roteren totdat u een "klik" hoort. Controleer de positie van het hulpmiddel binnen de fistel of de graft via fluoroscopie. Druk de AAN-/UIT-knop in om het roteren te starten.
19. Terwijl het hulpmiddel ingeschakeld is, trekt u de roterende buigzame draad, in de onbedekte positie, langzaam terug door de graft of de fistel om het stolsel kapot te maken. **Waarschuwing: Een terugtreknelheid van 1-2 cm/seconde wordt aanbevolen wanneer men scherpe bochten tegenkomt.** Wanneer de buigzame draad de tip van de arteriële introducer bereikt, laat u de schakelaar los om de rotator uit te schakelen.
20. Bedek het hulpmiddel en verwijder het uit het transplantaat of de fistel. Spoel het katheterlumen met gehepariniseerde zoutoplossing en verwijder met de hand eventuele opgehoopte fibrine van de buigzame draad.
21. Aspireer het zacht geworden stolsel via een van beide hulzen en voer het aspiraaf af. **Voorzorgsmaatregel: Door langdurig aspireren zonder succes kunnen de huls en het transplantaat/de fistel ineenzakken.**
22. Breng een geschikte katheter in via de arteriële introducer en voer deze voorzichtig op tot voorbij de arteriële anastomose van de graft of de fistel. Pomp de ballon op, als het een ballonkatheter is. Trek de arteriële prop naar het midden van de arteriële aftakking. Laat de ballon leeglopen en verwijder de ballonkatheter.
23. Breng het bedekte CLEANER 15™ hulpmiddel opnieuw in via de arteriële introducer, de arteriële aftakking van de fistel of de graft in.
24. Verwijder de bedekking van de buigzame draad en schakel het hulpmiddel in om de arteriële prop kapot te maken, waarbij u contrastvloeistof gebruikt om het zacht maken te sturen.
25. Bedek het hulpmiddel en verwijder het uit het transplantaat of de fistel. Spoel het katheterlumen met gehepariniseerde zoutoplossing en verwijder met de hand eventuele opgehoopte fibrine van de buigzame draad.
26. Aspireer het zacht geworden stolsel via de huls en voer het aspiraaf af.
27. Spuit contrastvloeistof in om te bepalen in welke mate de trombus verwijderd is. Behandel eventueel achtergebleven trombus met de CLEANER 15™ via een van beide hulzen, naar behoefte.
28. Wanneer de trombus volledig verwijderd is, behandelt u eventuele onderliggende aandoeningen of stenose volgens het ziekenhuisprotocol.
29. Voer het laatste fistulogram uit.
30. Verwijder de hulzen uit de fistel of het transplantaat.
31. Zorg voor het stoppen van bloeding op de punctielocatie(s) volgens het ziekenhuisprotocol.

WAARSCHUWING:

Uitsluitend voor eenmalig gebruik. Niet hergebruiken, opwerken of hersteriliseren. Hergebruik, opwerking of hersterilisatie kan de structurele gaafheid van het hulpmiddel aantasten en/of leiden tot uitval van het hulpmiddel, hetgeen kan leiden tot letsel, ziekte of overlijden van de patiënt. Hergebruik, opwerking of hersterilisatie kan ook een risico op besmetting van het hulpmiddel laten ontstaan en/of infectie of kruisinfectie bij de patiënt veroorzaken, inclusief, maar niet beperkt tot, het overdragen van besmettelijke ziekte(n) van een patiënt op een andere. Besmetting van het hulpmiddel kan leiden tot letsel, ziekte of overlijden van de patiënt.

OPSLAG:

Bewaren bij gecontroleerde kamertemperatuur. Niet blootstellen aan organische oplosmiddelen, ioniserende straling of ultraviolet licht.

AFVALVERWIJDERING:

Voer het kathetersysteem af in overeenstemming met de Richtlijn voor elektrisch en elektronisch afval (Waste Electrical and Electronic Equipment Directive, WEEEED) en in overeenstemming met de standaard procedures van uw instelling voor medisch afval inclusief hulpmiddelen voor eenmalig gebruik die in contact komen met bloed.

AFWIJZING VAN GARANTIE EN BEPERKING VAN VERHAAL:

Er is geen expliciete of stilzwijgende garantie, inclusief zonder beperkingen geen stilzwijgende garantie van verkoopbaarheid of geschiktheid voor een specifiek doel, op het product (de producten) van Argon Medical die in deze publicatie beschreven worden. Onder geen enkele omstandigheden zal Argon Medical aansprakelijk zijn voor enige directe of bijkomende schade of gevolgschade anders dan zoals expliciet bepaald onder specifieke wetgeving. Niemand heeft de bevoegdheid om Argon Medical te verplichten tot enige verklaring of garantie behalve zoals specifiek hierin uiteengezet.

Beschrijvingen of specificaties in drukwerk van Argon Medical, waaronder deze publicatie, zijn uitsluitend bedoeld om het product in het algemeen te beschrijven ten tijde van de vervaardiging en zij vormen geen expliciete garanties.

Argon Medical zal niet verantwoordelijk zijn voor enige directe of bijkomende schade of gevolgschade door hergebruik van het product.



MEDICAL — GENERAL MEDICAL EQUIPMENT
AS TO ELECTRICAL SHOCK, FIRE AND MECHANICAL HAZARDS ONLY
IN ACCORDANCE WITH IEC60601-1 3rd Ed. & CAN/CSA-C22.2
NO. 60601.1 (2008), AAMI ES 60601-1:2008
4CR3



Uitleg over de symbolen is elektronisch beschikbaar op www.argonmedical.com/symbols



EMERGO EUROPE
Westervoortsedijk 60
6827 AT Arnhem
The Netherlands
+31 70 345 8570



ARGON MEDICAL DEVICES, INC.
1445 Flat Creek Road
Athens, Texas 75751 USA
Tel: +1 (903) 675 9321
Tel: +1 (800) 927 4669
www.argonmedical.com



Emergo Consulting (UK) Limited
c/o Cr 360 - UL International
Compass House, Vision Park Histon
Cambridge CB24 9BZ
United Kingdom

CLEANER 15™

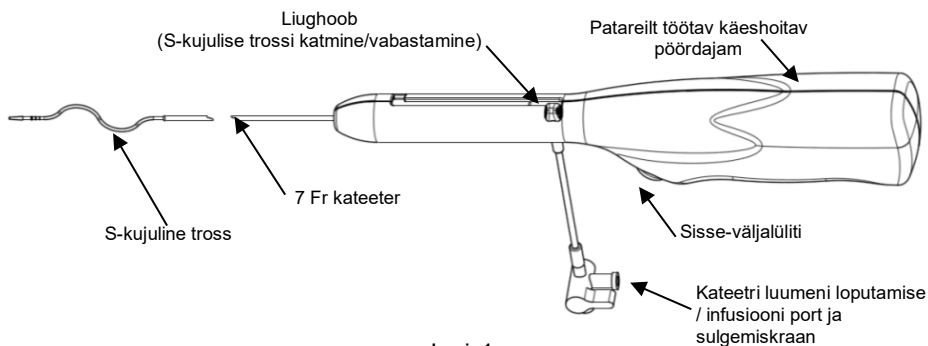
Rotational Thrombectomy System

Estonian - Enne kasutamist lugege kõik juhised läbi

	Lk
Juhised perifeerses veresoones kasutamiseks	1-4
Juhised siirkutes ja fistulites kasutamiseks	5-6

SEADME KIRJELDUS

CLEANER 15™ pöörlev trombektoomiasüsteem on 7 Fr suurusega perkutaansel kateetril põhinev süsteem (üheosaline konstruktsioon). Ühekordselt kasutatav käeshoitav akutl töötav pöördajam ühendatakse S-kujulise trossiga, mis pöörleb kiirusega ligikaudu 4000 p/min. Tross ja atraumaatiline pehme ots on röntgenkiirtele läbimatu, võimaldades fluoroskoopilist visualiseerimist.



KASUTUSNÄIDUSTUSED

CLEANER 15™ pöörleva trombektoomiasüsteemi kasutamine on näidustatud mehhaaniliseks trombide kõrvaldamiseks ning kontrollitavaks ja valikuliseks arsti poolt määratud vedelike infusiooniks, k.a trombolüüs, perifeersesse veresoonesse.

VASTUNÄIDUSTUSED

CLEANER 15™ pöörlev trombektoomiasüsteem on vastunäidustatud järgmistel juhtudel:

- Käesolev süsteem on vastunäidustatud, kui arsti kliinilise hinnangu põhjal võib selline protseduur halvendada patsiendi seisundit.
- Pole ette nähtud perifeersete veresoonte laiendamiseks.
- Süsteem pole ette nähtud vere või veretoodete infusiooniks.
- Järgige ravilahuse valikul selle infolehel toodud näidustusi, vastunäidustusi, kõrvaltoimeid ja ettevaatusabinõusid.
- Kui loomulike veresoonte läbimõõt on alla 6 mm
- Veresoone filtrita (nt alumise õõnesveeni filtrita) patsientide korral

Perifeerne veresoonekond

HOIATUSED JA ETTEVAATUSABINÕUD

- Enne kasutamise alustamist lugege läbi kõik pakendi infolehel toodud hoiatused, ettevaatusabinõud ja juhised. Selle nõude eiramine võib põhjustada patsiendi raske vigastamise või surma.
- Käsitletavaid protseduure võivad läbi viia ainult arstid ja personal, kes tunnevad vastavaid seadmeid ja kasutatavaid tehnikaid. Seade on steriliseeritud ETO-ga ja on steriilne, kui pakendit pole avatud või kahjustatud. Enne kasutamist tuleb pakend üle kontrollida – kahjustuste korral ÄRGE KASUTAGE. Seade on ette nähtud kasutamiseks ainult ühel patsiendil; ÄRGE KASUTAGE EGA STERILISEERIGE TEIST KORDA.
- Enne kasutamist kontrollige CLEANER 15™ pöörlevat trombektoomiasüsteemi hoolikalt, et veenduda transpordivigastuste puudumises. Kui märkate toote osadel vigastuste märke, siis ÄRGE KASUTAGE seda.
- Kokkupuutehoju tõttu HIV-i (inimese immuunpuudulikkuse viirus) või muude verest pärinevate patogeenidega peavad tervishoiutöötajad patsientide ravimisel pidevalt rakendama universaalseid vere ja kehavedelikega seotud ettevaatusabinõusid. Seadme ükskõik millisel käsitsemisel tuleb rangelt kinni pidada steriilsusnõuetest.
- Ärge lükake seadet edasi, kui tunnete takistust, mille põhjus pole fluoroskoopia abil eelnevalt määratud ja pole rakendatud vajalikku ravi. Ülemäärane jõud takistuse ületamiseks võib kahjustada seadet ja veresoone.
- Enne sisestamist ja iga kord, kui CLEANER 15™ eemaldatakse veresoonekonnast, tuleb kateeter üle loputada.
- Kui kateetrisse või juhttraati tekivad kasutamise käigus murdekohad või need saavad muul viisil kahjustada, siis lõpetage nende kasutamine ja vahetage uute vastu.
- Praktiseerivad arstid peavad teadma võimalikke perifeerse veresoonekonna trombolüüsiga seotud tüsistusi, sh:
 - Veresoone mulgustus või rebend
 - Veresoone spasm
 - Hematoom
 - Sepsis/infektsioon
 - Intiima lõhastus
 - Veresoonte tromboos
 - Allergiline reaktsioon kontrastainele
 - Tromboemboolsed episoodid
 - Trombide distaalne embolisatsioon
 - Verejooks
 - Valu ja tundlikkuse puudumise suhtes
 - Tromboflebiit
 - Arteriaalne dissektsioon
 - Ravimite kõrvaltoimed
 - Arteriovenoosne fistul
 - Amputatsioon
- CLEANER 15™ kestval aktiveerimisel on võimalik CLEANER 15™ S-kujulise trossi materjali väsimusest tekkiv rike. Kui sattutakse väikese kõverusraadiusega kohta (st silmussuuruse või fistuli raadius < 3 cm), siis on soovitatav kasutada tagasitõmbamis kiirust 1–2 cm/s.

SOOVITAV PROTSEDUUR

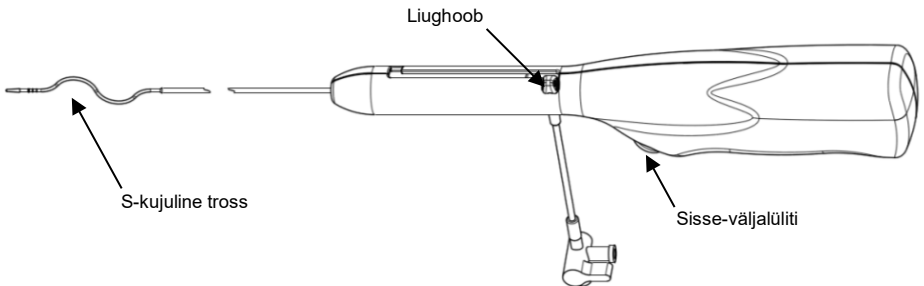
Kasutage steriilset tehnikat.

Patsiendi ettevalmistamine

1. Viige läbi premedikatsioon sobiva anksiolüütikumiga, analgeetikumi ja/või antibiootikumiga kasutamiseks vastavalt haiglas kehtivale korrale.

Seadme töö kontrollimine

2. Eemaldage CLEANER 15™ pöörlev trombektoomiasüsteem pakendist. Vajutage sisse-väljalüliti, et kontrollida S-kujulise trossi vaba pöörmist (vt joonis 2). Pöörmise peatamiseks vabastage lüliti. **Ettevaatus! Ärge kasutage seadet, kui see ei aktiveeru kohe pärast lüliti vajutamist ja ei lõpeta tööd kohe pärast lüliti vabastamist.**



Joonis 2

Perifeerne veresoonekond

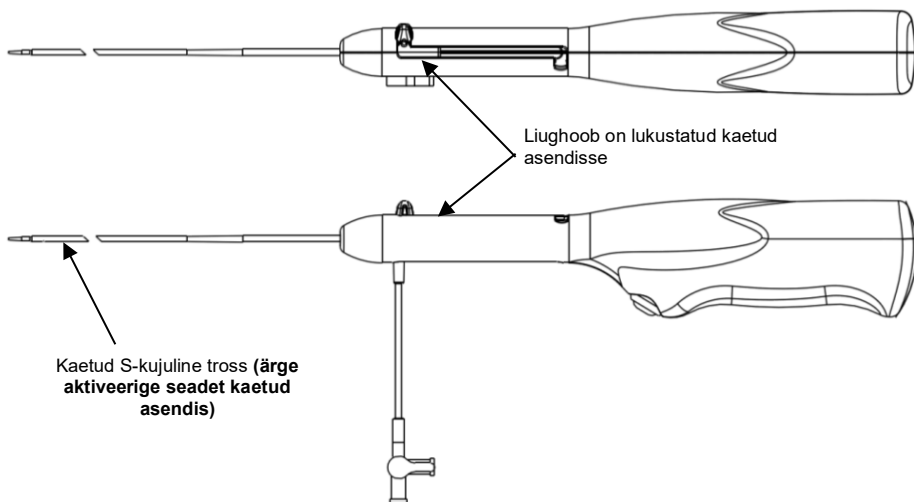
3. Kinnitage ravimi või hepariniseeritud füsioloogilise lahuse süstal kateetri loputuspordi külge ja loputage CLEANER 15™ kateeter läbi. Veenduge, et vedelik väljub kõige kaugemast kateetri otsa lähedal asuvast avast. Sulgege kateetri sulgemiskraan, et "lukustada" ravim või hepariin kateetrisse, ja eemaldage süstal.

Ravi

Täpse raviprotseduuri peab määrama arst. Alltoodud variant kirjeldab võimalikku protseduuri läbiviimise viisi.

4. Teostage protseduur pidevat fluoroskoopiat kasutades. Ärge käivitage S-kujulise trossi pöörlemist (seadme aktiveerimine) enne, kui pole kinnitatud seadme õige asetus perifeerses veresoonekonnas.
5. Valmistage punktsioonikoht ette ja drapeerige vajalikul viisil.
6. Tehke punktsioonikohas kohalik tuimestus veenisisesest kaitsekesta sisestamiseks.
7. Valige sobiva suurusega kaitsekest, kuhu võib sisestada CLEANER 15™ kateetri ja muid instrumente/kateetreid, mida võib protseduuri käigus vaja minna. Juhttraadi maksimaalne suurus sõltub valitud sisestaja kaitsekestast/dilataatorist. Niudebifurkatsiooniga ristumisel tuleb kasutada tugevdatud kaitsekesta.
8. Valmistage ette ja paigaldage veenisestaja kaitsekest vastavalt haiglas kehtivale korrale. Venosne kaitsekest tuleb paigutada perifeerse veresoonekonna veeni jäsemele ja suunata ravitava koha suunas. Venosse kaitsekesta paigutamine võib olla fakultatiivne sõltuvalt trombidest poolit tekitavast koormusest veresoones.
9. Seadke seade kaetud asendisse, lükates liughoova kaugmisse asendisse ja pöörates liughooba kaetud asendisse lukustamiseks (vt joonis 3). Kaetud asendis võib kateetrist välja ulatuda ainult S-kujulise trossi painduv ots. **Hoiatus. Seadet ei tohi aktiveerida kaetud asendis.**
10. Hoidke painduvat otsa pöidla ja nimetissõrme vahel seadme juhtimisel läbi kaitsekesta klapi. Juhtige kaetud seade läbi venosse kaitsekesta ja sisestage perifeerse veresoonekonna veeni jäsemesse.
11. Kinnitage sulgemiskraani külge 10 cm³ süstal infusiooniks ettenähtud ravimiga. Avage sulgemiskraan, et võimaldada vedeliku voolamist. **Hoiatus. Ärge tõmmake verd kateetrisse tagasi.**

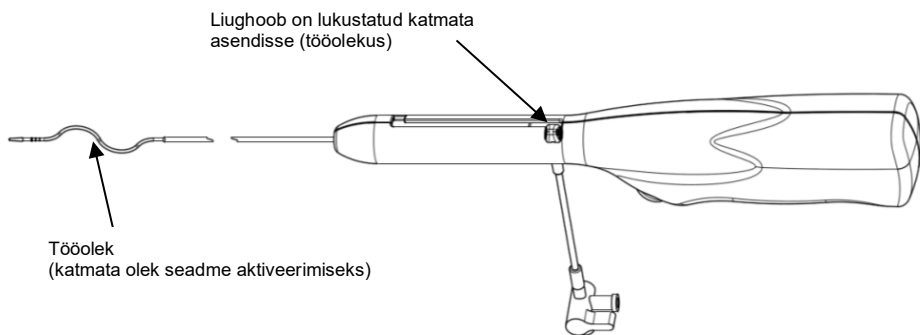
Märkus. Järgige tootja juhiseid vajalike vedelike valmistamisel ja lahuste valmistamisel.



Joonis 3

12. Lükake painduv ots kuni trombi kaugeima osani. Eemaldage S-kujulise trossi kate lukustuse vabastamise teel, tõmmates liughoova täielikult tagasi ja pöörates liughooba kuni klõpsatuse kuulmiseni (vt joonis 4). Kontrollige seadme paigutust ravikohas fluoroskoopia abil. Vajutage sisse-väljalülitit pöörlemise käivitamiseks.

Perifeerne veresoonekond



Joonis 4

13. Kui seade on aktiveeritud, tõmmake pöörlevat S-kujulist trossi aeglaselt piki ravikohta, infundeerides ravimit läbi infusioonipordi trombi purustamiseks. **Hoiatus. Kui sattutakse väikese kõverusraadiusega kohta, siis on soovitatav kasutada tagasitõmbamiskiirust 1–2 cm/s.** Kui S-kujuline tross jõuab venoosse kaitsekesta tippu, vabastage lüliti, et lülitada välja disperseeriva trossi pöörlemine.
14. Katke seade ja eemaldage perifeerses veresoonekonnast. Loputage kateetri luumeni hepariniseeritud füsioloogilise lahusega ja eemaldage käsitsi S-kujulisele trossile kogunenud fibrin.
15. Aspireerige matsereeritud tromb läbi kaitsekesta ja hävitage aspiraati. **Ettevaatus! Kestev aspiratsiooni nurjumine või põhjustada kaitsekesta ja veresoone kokkulangemise.**
16. Injekteerige väike kogus kontrastainet läbi venoosse kaitsekesta, et hinnata trombi eemaldamise taset. **Hoiatus. Vältige kontrastaine ülemäära injekteerimist, et vähendada embolisatsiooni ohtu.** Töödelge allesjäänud trombi, korrares punkte 11–15, kuni saavutatakse vastuvõetav trombi eemaldamise tase.
17. Kui trombi eemaldamine on lõppenud, ravige kõiki olukorda põhjustanud haigusi või stenoosi vastavalt haiglas kehtivale korrale.
18. Viige läbi lõplik veresoonte röntgenoloogiline uurimine.
19. Eemaldage kaitsekestad perifeerses veresoonekonnast.
20. Peatage verejooks mulgustatud kohas/kohtades vastavalt haiglas kehtivale korrale.

Siirikud ja fistulid

KASUTUSNÄIDUSTUSED

CLEANER 15™ pöörleva trombektoomiasüsteemi kasutamine on näidustatud trombide mehhaaniliseks kõrvaldamiseks loomulike veresoonte dialüüsifistulites ja sünteetilistes dialüüsi juurdepääsusirikutes.

VASTUNÄIDUSTUSED

CLEANER 15™ pöörlev trombektoomiasüsteem on vastunäidustatud järgmistel juhtudel:

- Kui selline protseduur võib arsti kliinilise hinnangu põhjal halvendada patsiendi seisundit.
- Kui loomulike veresoonte läbimõõt on alla 6 mm
- Olemasoleva hemodialüüsi juurdepääsukoha infektsioon
- Kasutuseks mittevalmisolev loomuliku veresoone dialüüsifistul (fistul, mida pole kasutatud hemodialüüsiks ühtegi korda)

HOIATUSED JA ETTEVAATUSABINÕUD

- Enne kasutamise alustamist lugege läbi kõik pakendi infolehel toodud hoiatused, ettevaatusabinõud ja juhised. Selle nõude eiramine võib põhjustada patsiendi raske vigastamise või surma.
- Käsitletavaid protseduure võivad läbi viia ainult arstid ja personal, kes tunnevad vastavaid seadmeid ja kasutatavaid tehnikaid. Seade on steriliseeritud ETO-ga ja on steriilne, kui pakendit pole avatud või kahjustatud. Enne kasutamist tuleb pakend üle kontrollida – kahjustuste korral ÄRGE KASUTAGE. Seade on ette nähtud kasutamiseks ainult ühel patsiendil; ÄRGE KASUTAGE EGA STERILISEERIGE TEIST KORDA.
- Enne kasutamist kontrollige CLEANER 15™ pöörlevat trombektoomiasüsteemi hoolikalt, et veenduda transpordivigastuste puudumises. Kui märkate toote osadel vigastuste märke, siis ÄRGE KASUTAGE seda.
- Kokkupuuteohu tõttu HIV-i (inimese immuunpuudulikkuse viirus) või muude verest pärinevate patogeenidega peavad tervishoiutöötajad patsientide ravimisel pidevalt rakendama universaalseid vere ja kehavedelikega seotud ettevaatusabinõusid. Seadme ükskõik millisel käsitsemisel tuleb rangelt kinni pidada steriilsusnõuetest.
- Praktiseerivad arstid peavad teadma võimalikke dialüüsifistulite ja siirikute trombolüüsiga seotud tüsistusi, sh:
 - Verejooks
 - Süptomaatiline pulmonaarne emboolia
 - Arteriaalne embolisatsioon
 - Allergiline reaktsioon kontrastainele
 - Pseudoaneurüsm
 - Valu ja/või tundlikkus puudutuste suhtes
 - Veresoone rebend või lõhustus
 - Infektsioon
 - Arteri või veeni mulgustus
 - Hematoom
 - Surm

- Korgi ümberpaigutamisel arteriaalse anastomoosi juures tuleb olla ettevaatlik, et vähendada arteriaalse embolisatsiooni ohtu.
- Ekskretsiooni puudumise tõttu hemodialüüsiga patsientidel tuleb kontrastaine kasutamist protseduuri käigus hoida minimaalsena.
- CLEANER 15™ kestval aktiveerimisel on võimalik CLEANER 15™ S-kujulise trossi materjali väsimusest tekkiv rike. Kui sattutakse väikese kõverusraadiusega kohta (st silmuksiriku või fistuli raadius < 3 cm), siis on soovitatav kasutada tagasitõmbamis kiirust 1–2 cm/s.

SOOVITAV PROTSEDUUR

Kasutage steriilset tehnikat.

Patsiendi ettevalmistamine

1. Viige läbi premedikatsioon sobiva anksiolüütikumi, analgeetikumi ja/või antibiootikumi kasutamisega vastavalt haiglas kehtivale korrale.

Seadme töö kontrollimine

2. Eemaldage CLEANER 15™ pöörlev trombektoomiasüsteem pakendist. Vajutage sisse-väljalülitit, et kontrollida S-kujulise trossi vaba pöörlemist (vt joonis 2). Pöörlemise peatamiseks vabastage lüliti. **Ettevaatust! Ärge kasutage seadet, kui see ei aktiveeru kohe pärast lüliti vajutamist ja ei lõpeta tööd kohe pärast lüliti vabastamist.**
3. Loputage CLEANER 15™ kateetrit hepariniseeritud füsioloogilise lahusega kateetri luumeni loputuspori kaudu. Enne kasutamist seadke sulgemiskraan tagasi väljalülitatud asendisse.

Trombolüüsi protseduur

4. Teostage CLEANER 15™ trombolüüsi protseduur pidevat fluoroskoopiat kasutades. Ärge käivitage S-kujulise trossi pöörlemist (seadme aktiveerimine) enne, kui pole kinnitatud seadme õige asetus fistulis või siirikus.
5. Valmistage punktsioonikoht ette ja drapeerige vajalikul viisil.
6. Tehke punktsioonikohas kohalik tuimestus veenisisesest kaitsekesta sisestamiseks.
7. Valige sobiva suurusega kaitsekest, kuhu võib sisestada CLEANER 15™ kateetri ja muid instrumente/kateetreid, mida võib protseduuri käigus vaja minna. Juhtraadi maksimaalne suurus sõltub valitud sisestaja kaitsekestast/dilataatorist.
8. Valmistage ette ja paigaldage veenisestaja kaitsekest vastavalt haiglas kehtivale korrale. Venosne kaitsekest tuleb paigutada siirkuga veeni jäsemele ja suunata venosse anastomoosi suunas. Venosse kaitsekesta paigutamine fistulisse võib olla fakultatiivne sõltuvalt trombide poolt tekitatavast koormusest veresoones. Venosse kaitsekesta kasutamisel tuleb see

Siirikud ja fistulid

paigutada fistuliga veeni järemele ja suunata tsentraalveeni väljavoolu suunas. Märkus. Kui arteriovenoosse fistuli korral ei kasutata venooset kaitsekesta, siis jätkake punktiga 16.

9. Seadke seade kaetud asendisse, lükates liughoova kaugmisse asendisse ja pöörates liughooba kaetud asendisse lukustamiseks (vt joonis 3). Kaetud asendis võib kateetrist välja ulatuda ainult S-kujulise trossi painduv ots. Seadet ei tohi aktiveerida kaetud asendis.
10. Hoidke painduvat otsa pöidla ja nimetissõrme vahel seadme juhtimisel läbi kaitsekesta klapi. Juhtige kaetud seade läbi venoosse kaitsekesta ja sisestage fistuli või siirikuga veeni järemesse.
11. Siiriku korral lükake painduv ots edasi kuni venoosse anastomoosini. **Hoiatus. Ärge lükake seda anastomoosist väljapoole.** Fistuli korral lükake painduv ots kuni trombi kõige kaugemale ulatuva tsentraalse osani. Eemaldage S-kujulise trossi kate lukustuse vabastamise teel, tõmmates liughoova täielikult tagasi ja pöörates liughooba kuni klõpsatuse kuulmiseni (vt joonis 4). Kontrollige seadme paigutust fistuli või siiriku piires fluoroskoopia abil. Vajutage sisse-väljalülitit pöörlemise käivitamiseks.

Märkus. Trossi katkest vabastamisel tuleb olla ettevaatlik, et vältida trossi edasilükkumist trombi ja möödumist anastomoosist.

12. Kui seade on aktiveeritud, tõmmake pöörlevat S-kujulist trossi aeglaselt piki siirikut või fistulit trombi purustamiseks. **Hoiatus. Kui sattutakse väikese kõverusraadiusega kohta, siis on soovitatav kasutada tagasitõmbamiskiirust 1–2 cm/s.** Kui S-kujuline tross jõuab venoosse kaitsekesta tippu, vabastage lülitit, et pöördajam välja lülitada.
13. Katke seade ja eemaldage perifeerselt siirikust või fistulist. Loputage kateetri luumenit hepariniseeritud füsioloogilise lahusega ja eemaldage käsitsi S-kujulisele trossile kogunenud fibrin.
14. Aspireerige matsereeritud tromb läbi kaitsekesta ja hävitage aspiraati. **Ettevaatust! Kestev aspiratsiooni nurjumine või põhjustada kaitsekesta ja siiriku/fistuli kokkulangemise.**
15. Injekteerige väike kogus kontrastainet läbi venoosse kaitsekesta, et hinnata trombi eemaldamise taset. **Hoiatus. Vältige kontrastaine ülemäärast injekteerimist, et vähendada arteriaalse embolisatsiooni ohtu.** Töödelge allesjäänud trombi, korrates punkte 11–14, kuni saavutatakse vastuvõetav trombi eemaldamise tase.
16. Tehke punktsioonikohas kohalik tuimestus arteriaalse kaitsekesta sisestamiseks. Valmistage ette ja paigaldage arteriaalse sisestaja kaitsekest vastavalt haiglas kehtivale korrale. Arteri kaitsekest tuleb suunata arteriaalse anastomoosi suunas. **Ettevaatust! Arteriaalsed ja venoossed kaitsekestad ei tohi üksteisega kattuda.**
17. Hoidke painduvat otsa pöidla ja nimetissõrme vahel seadme juhtimisel läbi kaitsekesta klapi. Sisestage kaetud seade läbi arteriaalse kaitsekesta fistuli või siirikuga arteri järemesse.
18. Siiriku korral lükake painduv ots edasi kuni arteriaalse anastomoosini. **Hoiatus. Ärge lükake seda anastomoosist väljapoole.** Fistuli korral lükake painduv ots kuni trombi kõige kaugemale ulatuva tsentraalse osani. Eemaldage S-kujulise trossi kate lukustuse vabastamise teel, tõmmates liughoova täielikult tagasi ja pöörates liughooba kuni klõpsatuse kuulmiseni. Kontrollige seadme paigutust fistuli või siiriku piires fluoroskoopia abil. Vajutage sisse-väljalülitit pöörlemise käivitamiseks.
19. Kui seade on aktiveeritud, tõmmake pöörlevat S-kujulist trossi katmata olekus aeglaselt piki siirikut või fistulit trombi purustamiseks. **Hoiatus. Kui sattutakse väikese kõverusraadiusega kohta, siis on soovitatav kasutada tagasitõmbamiskiirust 1–2 cm/s.** Kui S-kujuline tross jõuab arteriaalse kaitsekesta tippu, vabastage lülitit, et pöördajam välja lülitada.
20. Katke seade ja eemaldage perifeerselt siirikust või fistulist. Loputage kateetri luumenit hepariniseeritud füsioloogilise lahusega ja eemaldage käsitsi S-kujulisele trossile kogunenud fibrin.
21. Aspireerige matsereeritud tromb ükskõik kumba kaitsekesta kasutades ja hävitage aspiraati. **Ettevaatust! Kestev aspiratsiooni nurjumine või põhjustada kaitsekesta ja siiriku/fistuli kokkulangemise.**
22. Juhtige sobiv kateeter läbi arteriaalse kaitsekesta ja juhtige see ettevaatlikult siiriku või fistuli arteriaalsest anastomoosist mööda. Balloonkateetri kasutamisel pumbake ballooni. Tõmmake arteriaalne kork arteri järese keskele. Laske balloon tühjaks ja eemaldage balloonkateeter.
23. Sisestage kaetud CLEANER 15™ seade uuesti läbi arteriaalse kaitsekesta siiriku või fistuliga arteri järemesse.
24. Vabastage S-kujuline tross katkest ja aktiveerige seade, et purustada arteriaalne kork, kasutades kontrastainet matsratsiooni juhtimiseks.
25. Katke seade ja eemaldage perifeerselt siirikust või fistulist. Loputage kateetri luumenit hepariniseeritud füsioloogilise lahusega ja eemaldage käsitsi S-kujulisele trossile kogunenud fibrin.
26. Aspireerige matsereeritud tromb läbi kaitsekesta ja hävitage aspiraati.
27. Injekteerige kontrastainet, et hinnata trombi eemaldamise taset. Töödelge kõiki allesjäänud trombe, kasutades CLEANER 15™ läbi ükskõik kumba kaitsekesta vastavalt vajadusele.
28. Kui trombi eemaldamine on lõppenud, ravige kõiki olukorda põhjustanud haigusi või stenoosi vastavalt haiglas kehtivale korrale.
29. Teostage lõplik fistulograafia.
30. Eemaldage kaitsekestad fistulist või siirikust.
31. Peatage verejooks mulgustatud kohas/kohtades vastavalt haiglas kehtivale korrale.

HOIATUS.

Ainult ühekordselt kasutamiseks. ÄRGE korduskasutage, töödelge ümber ega steriliseerige teistkordselt. Korduskasutus, ümbertöötus või korduv steriliseerimine võib kahjustada seadme konstruktsiooni ja/või põhjustada selle rikke, mis omakorda võib põhjustada patsiendi vigastamise, haiguse või surma. Korduskasutus, ümbertöötus või korduv steriliseerimine võib põhjustada seadme saastumist ja/või tekitada patsiendi infektsiooni, ristsaastamise, sh nakkushaigus(t)je ülekandumise ühelt patsiendilt teisele. Seadme saastumine võib põhjustada patsiendi vigastamise, haiguse või surma.

HOUIDAMINE

Hoiudage kontrollitud temperatuuriga ruumis. Ärge jätke orgaaniliste lahustite, ioniseeriva kiirguse või ultravioletvalguse mõju alla.

HÄVITAMINE

Hävitage kateetrisüsteem vastavalt elektri- ja elektroonikaseadmete jäätmete (WEEED) direktiivi kohaselt ja vastavalt asutuse standardsetele protseduuridele meditsiiniliste jäätmete (k.a ühekordselt kasutatavad, verd sisaldavad seadmed) hävitamiseks.

LAHTIÜTLUS GARANTIIST JA PIIRANGUD HEASTAMISELE

Käesolevas publikatsioonis kirjeldatud Argon Medical'i tootel/toodetel pole otsest ega kaudset garantiid, k.a piiranguteta ja otsene garantii müüdavuse edendamiseks ja eriolstarbeliseks kasutamiseks. Argon Medical ei vastuta mingil juhul ükskõik milliste otsete, kaudsete või tulenevate kahjude eest, kui seda pole vastavates seadustes selgelt öeldud. Ühelgi isikul pole voitusi siduda Argon Medical'i representatsioonide või garantiidega v.a käeolevaga määratud juhtudel.

Kirjeldused või spetsifikatsioonid Argon Medical'i trükistes, k.a käesolev publikatsioon, on ette nähtud ainult toote üldiseks kirjeldamiseks tootmise ajal ning ei tähenda ühegi otsese garantii andmist tootele.

Argon Medical ei vastuta ükskõik milliste otsete, kaudsete või tulenevate kahjude eest, mille on põhjustanud toote korduskasutus.



MEDICAL — GENERAL MEDICAL EQUIPMENT
AS TO ELECTRICAL SHOCK, FIRE AND MECHANICAL HAZARDS ONLY
IN ACCORDANCE WITH IEC60601-1 3rd Ed. & CAN/CSA-C22.2
NO. 60601.1 (2008), AAMI ES 60601-1:2008
4CR3



Sümbolite sõnastik on elektrooniliselt saadaval aadressil
www.argonmedical.com/symbols



EMERGO EUROPE
Westervoortsedijk 60
6827 AT Arnhem
The Netherlands
+31 70 345 8570



ARGON MEDICAL DEVICES, INC.
1445 Flat Creek Road
Athens, Texas 75751 USA
Tel: +1 (903) 675 9321
Tel: +1 (800) 927 4669
www.argonmedical.com



Emergo Consulting (UK) Limited
c/o Cr 360 - UL International
Compass House, Vision Park Histon
Cambridge CB24 9BZ
United Kingdom

CLEANER 15™

Rotational Thrombectomy System

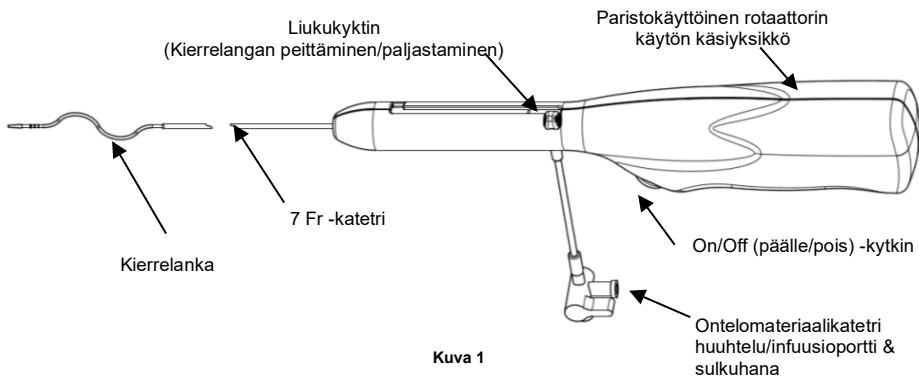
Finnish - Kaikki ohjeet tulee lukea ennen käyttöä

sivua

Käyttöohjeet äärisverenkierrossa	1-4
Käyttöohjeet dialyysiporteille ja fisteille	5-6

LAITEKUVAUS:

CLEANER 15™ rotaatioaalinen trombektomiaalilaite on 7Fr -katetriin perustuva järjestelmä (yksiosainen rakenne). Hävitettävä, käsikäyttöinen paristoilla toimiva rotaattorikäyttöyksikkö on liitetty kierrelankaan, joka pyörii noin 4000 kierr/min. Lanka ja atraumaattinen pehmeä kärki ovat röntgenpositiivisia fluoroskooppisessa visualisoinnissa.



KÄYTTÖAIHEET:

CLEANER 15™ rotaatioaalinen trombektomijärjestelmä on tarkoitettu mekaaniseen veren ohennukseen ja selektiiviseen lääkärin määräämien nesteiden infuusioon äärisverenkiertoon, sisältäen trombolysin.

VASTA-AIHEET:

CLEANER 15™ rotaatioaaliselle trombektomijärjestelmälle on havaittu seuraavat vasta-aiheet:

- Järjestelmälle on vasta-aihe kun, lääkärin lääketieteellisen arvon mukaan, kyseinen toimenpide voi vaarantaa potilaan tilan.
- Ei suunniteltu äärisverisuoniston laajentamista varten.
- Järjestelmää ei ole tarkoitettu veren tai verituotteiden infuusioon.
- Katso tuoteselosteesta tietoja oikeenmukaisen terapeutin ratkaisun valinnasta merkkejä, vasta-aiheista, sivuvaikutuksista ja varotoimista.
- Synnynnäisissä suonissa joiden läpimitta on alle 6 mm
- Potilaille, joilla ei ole verisuonten suodatinta, kuten alaonttolaskimon suodatinta.

Ääreisverenkierto

VAROITUKSET JA VAROTOIMET:

- Ennen käyttöä lue kaikki pakkauksen varoitukset, varotoimet ja ohjeet. Jos näin ei tehdä, seurauksena voi olla potilaan vakava vammautuminen tai kuolema.
- Näitä toimenpiteitä saa suorittaa vain lääkäri ja henkilökunta, jotka tuntevat laitteen ja siihen liittyvät tekniikat. Laitte on steriloitu EtO kaasulla ja se on steriili ellei pakkausta ole avattu tai se ole vaurioitunut. Pakkaus tulee tarkastaa ennen käyttöä. Jos se on vaurioitunut, **ÄLÄ KÄYTÄ**. Laitte on tarkoitettu yhden potilaan käyttöön. **EI SAA KÄYTTÄÄ UUELLEEN TAI STERILOIDA UUELLEEN.**
- Ennen käyttöä tarkista huolellisesti CLEANER 15™ rotationaalinen trombektomiaalite varmistaaksesi, että se ei ole vaurioitunut kuljetuksessa. Jos tuotteen osissa on mitään vaurion merkkejä, **ÄLÄ KÄYTÄ**.
- HIV:lle (Human Immunodeficiency Virus) tai muille verieräisille patogeeneille altistumisen takia terveydenhuollon työntekijöiden tulee aina noudattaa yleisiä veren ja kehon nesteiden varotoimia kaikkien potilaiden hoidossa. Kaikessa laitteen käsittelyssä tulee noudattaa tiukasti steriilejä tekniikoita.
- Jos kohdataan vastusta, älä vie eteenpäin ensin selvittämättä vastuksen syytä fluoroskopiolla ja tekemättä tarvittavaa korjaavaa toimenpidettä. Liiallinen voima vastusta vastaan voi vaurioittaa laitetta tai verisuonistoa.
- Ennen käyttöä, ja aina kun CLEANER 15™ poistetaan verenkierrosta, tulee katetri huuhdella.
- Jos katetri tai ohjauslanka taittuu tai muuten vaurioituu käytössä, lopeta sen käyttö ja vaihda se uuteen.
- Käyttäjien tulee olla tietoisia mahdollisista komplikaatioista, jotka voivat liittyä ääreisverenkierron trombolyysiin, sisältäen:
 - suonon perforaatio tai repeämä
 - suonon kouristus
 - hematooma
 - sepsis/infektio
 - sisäkalvon häiriöt
 - verisuonitukos
 - allerginen reaktio varjoaineelle
 - tromboemboliset jaksot
 - verihyytymien distaalinen embolisaatio
 - verenvuoto
 - kipu ja arkuus
 - tromboflebiitti
 - valtimon disketio
 - lääkereaktiot
 - valtimofistel
 - amputaatio
- Mahdollinen väsymisestä johtuva vika CLEANER 15™ kierrelangassa voi ilmetä pitkittyneen CLEANER 15™ -laitteen käytön takia. Vetäytymisnopeutta 1-2 cm/s suositellaan, kun havaitaan jyrkkiä kääntöaseteitä (ts. säde portissa tai fistelissä < 3 cm).

EHDOTETTU MENETTELY:

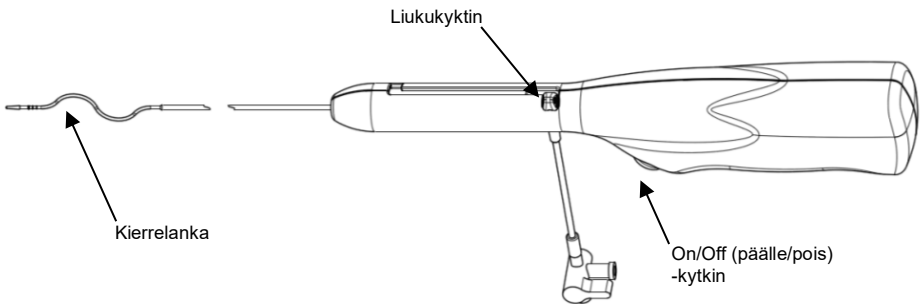
Käytä steriiliä tekniikkaa.

Potilaan valmistelu:

1. Anna esilääkitys sopivalla anksiolyytilä, kipulääkkeellä ja/tai antibiootilla laitoksen käytänteiden mukaisesti.

Laitteen toiminnan testaus:

2. Poista CLEANER 15™ rotationaalinen trombektomiajärjestelmä pakkauksesta. Paina ON/OFF -kytkintä varmistaaksesi, että kierrelanka pyörii vapaasti (ks. Kuva 2). Vapauta kytkin pysäyttääksesi rotaattori. **Varoitoimi: Älä käytä laitetta, jos se ei käynnisty välittömästi kytkintä painettaessa, tai sammu välittömästi kun kytkin vapautetaan.**



Kuva 2

3. Liitä hoitavan aineen tai suolaliuoksen ruisku katetrin huuhteluporttiin ja huuhtelee CLEANER 15™ katetri. Varmista, että neste poistuu distaalimmasta katetrin reistä, joka on katetrin lopun lähellä. Sulje sulkuhana "lukitaksesi" hoitoaine tai hepariini katetriin, ja poista ruisku.

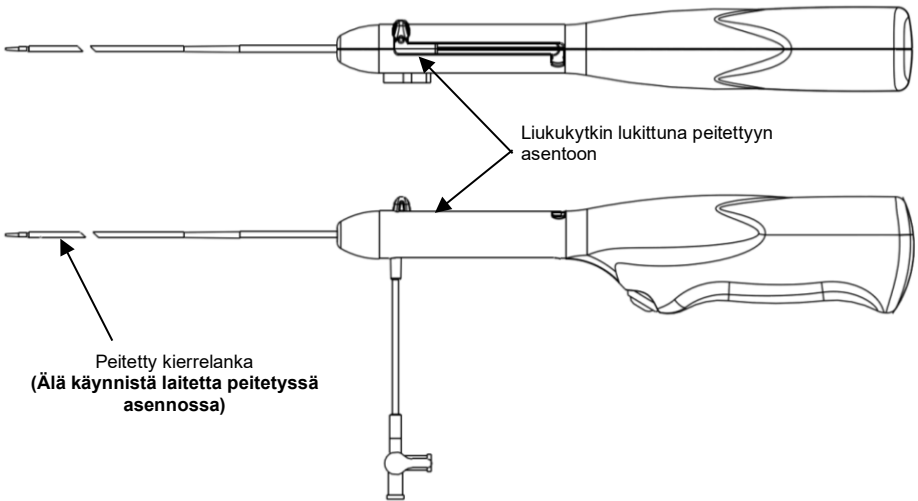
Hoito:

Tarkat hoitotoimenpiteet määrää lääkäri. Seuraava vaihtoehto kuvaa mahdollisen toimenpiteen suorittamistavan.

Ääreisverenkierto

4. Tee toimenpide jatkuvan fluoroskopian kanssa. Älä käynnistä kierrelangan pyörimistä (laitteen käynnistys), ellei laitteen oikeasta sijoittumisesta ääreisverenkierron alueella saada varmuutta.
5. Valmistele ja levitä pistokohtaa tarpeen mukaan.
6. Käytä paikallispuudutusta pistokohdassa laskimokanyyliin sisään viemistä varten.
7. Valitse sopivan kokoinen kanyyli CLEANER 15™ -katetria varten ja muut laitteet / katetrit, joita voidaan tarvita toimenpiteen aikana. Ohjauslangan maksimikoko riippuu valitusta sisäänvientikanyylista/levittimestä. Jos ohitetaan suoliin haarautumaa, tulee käyttää pitkää, vahvistettua kanyyliä.
8. Valmistele ja sijoita laskimon sisäänvientikanyyli laitoksen menettelyjen mukaisesti. Laskimokanyyli tulee asettaa ääreisverenkierron laskimon puolelle ja suunnata kohti hoidettavaa kohtaa. Laskimokanyyliin sijoittaminen voi vaihdella suonen tukoskuormasta riippuen.
9. Aseta laite peitettyyn asentoon vetämällä liukukytkin distaaliasentoon ja kiertämällä liukukytkintä lukitukseksi peitetty asento (ks. Kuva 3). Peitettyssä asemassa vain kierrelangan pehmeän kärjen tulee tulla ulos katetrista. **Varoitus: Laitetta ei saa käynnistää peitettyssä asemassa.**
10. Tue joustavaa kärkeä peukalon ja etusormen välissä kun sitä viedään kanyyliin kautta. Aseta uudelleen peitetty laite laskimokanyyliin kautta ääreisverenkierron laskimo-osaan.
11. Liitä sulkuhanaan 10cc ruisku, joka sisältää infuusion tarkoitetun hoitavan aineen. Avaa sulkuhana, jotta virtaus käynnistyy. **Varoitus: Älä ime verta katetriin päin.**

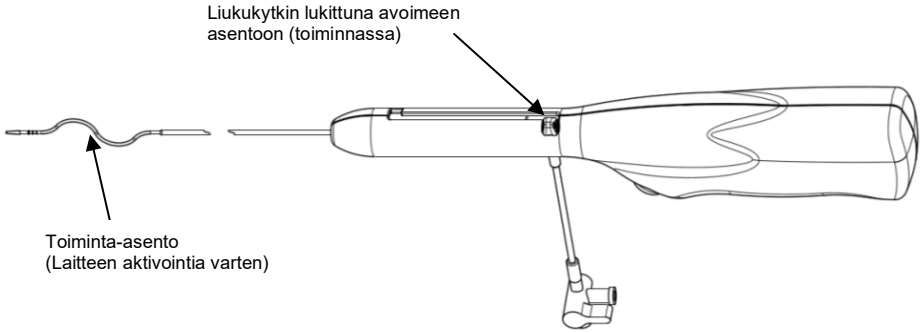
Huom. Noudata valmistajan ohjeita liittyen mainittujen nesteiden valmistamiseen ja laimentamiseen.



Kuva 3

12. Edistä joustavaa kärkeä hyytymän suurimpaan ulottuvuuteen saakka. Paljasta kierrelanka vapauttamalla lukitus vetämällä liukukytkin täysin takaisin ja kiertämällä liukukytkintä kunnes kuuluu napsahdus (ks. Kuva 4). Varmista laitteen sijoittuminen hoitokohteeseen fluoroskopian avulla. Paina ON/OFF -kytkintä aktivoitaksesi kierto.

Ääreisverenkierto



Kuva 4

- Laitteen ollessa aktivoituna vedä hitaasti takaisin pyörivä kierrelanka pitkin hoitokohtaa, infusoiden hoitavaa ainetta infuusioportin läpi rikkoaksesi hyytymän. **Varoitus: Vetäytymisnopeutta 1-2 cm/s suositellaan, kun havaitaan jyrkkiä kääntösäiteitä.** Kun kierrelanka saavuttaa laskimokanyylin kärjen, vapauta kytkin pysäyttääksesi pyörivä dispersiolanka.
- Peitä lanka ja poista se ääreisverenkierrosta. Huuhtelee ontelomateriaalikatetri heparinisoidulla suolaliuoksella ja poista manuaalisesti kaikki kertynyt fibrini kierrelangasta.
- Ime maseroitu hyytymä kanyylin kautta ja hävitä imutulos. **Varoitus: Jatkuva, epäonnistunut aspiraatio saattaa romahduttaa kanyylin ja suonen.**
- Ruiskuta pieni määrä varjoainetta laskimokatetrin kautta arvioidaksesi trombin poistumisen astetta. **Varoitus: Vältä varjoaineen yli-injektointia embolisaaion riskin minimoimiseksi.** Käsittele jäljelle jäänyt trombi toistamalla vaiheet 11-15, kunnes hyväksyttävä trombin poistuminen saavutetaan.
- Kun trombin poistaminen on valmis, hoida mahdollinen taustalla oleva sairaus tai ahtaus laitoksen menettelyjen mukaisesti.
- Suorita lopullinen angiogrammi.
- Poista kanyylit ääreisverenkierrosta.
- Saavuta hemostaasi pistetyissä kohdissa laitoksen menettelyjen mukaisesti.

Dialyysiportit ja fistelit

KÄYTTÖAIHEET:

CLEANER 15™ rotationaalinen trombektomiajärjestelmä on tarkoitettu mekaaniseen veren ohennukseen natiiveissa dialyysifisteleissä ja synteettisissä dialyysiporteissa.

VASTA-AIHEET:

CLEANER 15™ rotationaaliselle trombektomialaitejärjestelmälle on havaittu seuraavat vasta-aiheet:

- Kun lääkärin lääketieteellisen arvion mukaan kyseinen toimenpide voi vaarantaa potilaan tilan.
- Synnynnäisissä suonissa joiden läpimitta on alle 6 mm
- Olemassa olevat hemodialyysin pääsykohtien infektiot.
- Epäkypsät natiivit dialyysifistelit (fistelit, joita ei ole käytetty vähintään kerran hemodialyysihoidon).

VAROITUKSET JA VAROTOIMET:

- Ennen käyttöä lue kaikki pakkauksen varoitukset, varotoimet ja ohjeet. Jos näin ei tehdä, seurauksena voi olla potilaan vakava vammautuminen tai kuolema.
- Näitä toimenpiteitä saa suorittaa vain lääkäri ja henkilökunta, jotka tuntevat laitteen ja siihen liittyvät tekniikat. Laite on steriloitu EIO kaasulla ja se on steriili ellei pakkausta ole avattu tai se ole vaurioitunut. Pakkaus tulee tarkastaa ennen käyttöä. Jos se on vaurioitunut, ÄLÄ KÄYTÄ. Laite on tarkoitettu yhden potilaan käyttöön. EI SAA KÄYTTÄÄ UUDELLEEN TAI STERILOIDA UUDELLEEN.
- Ennen käyttöä tarkista huolellisesti CLEANER 15™ rotationaalinen trombektomialaite varmistaaksesi, että se ei ole vaurioitunut kuljetuksessa. Jos tuotteen osissa on mitään vaurion merkkejä, ÄLÄ KÄYTÄ.
- HIV:lle (Human Immunodeficiency Virus) tai muille veriperäisille patogeeneille altistumisen takia terveydenhuollon työntekijöiden tulee aina noudattaa yleisiä veren ja kehon nesteiden varotoimia kaikkien potilaiden hoidossa. Kaikessa laitteen käsittelyssä tulee noudattaa tiukasti steriilejä tekniikoita.
- Käyttäjien tulee olla tietoisia mahdollisista komplikaatioista, jotka voivat liittyä dialyysifisteliin ja portitrombolyysiin, sisältäen:
 - verenvuoto
 - oireenmukainen keuhkoveritulppa
 - valtimoembolisatio
 - allerginen reaktio varjoaineelle
 - pseudoaneurysmi
 - kipu ja/tai arkuus
 - suonen repeämä tai epävakaus
 - infektio
 - Valtimon tai laskimon perforaatio
 - hematooma
 - kuolema
- Varovaisuutta tulee noudattaa irrotettaessa tulppaa valtimon anastomoosista, jotta minimoidaan valtimon embolisatiion riski.
- Hemodialyysipotilailla ilmenevän erittymisen puutteen takia varjoaineen käyttö tulee pitää minimissä tämän toimenpiteen aikana.
- Mahdollinen väsymisestä johtuva vika CLEANER 15™ kierrelangassa voi ilmetä pitkittyneen CLEANER 15™ -laitteen käytön takia. Vetäytymisnopeutta 1-2 cm/s suositellaan, kun havaitaan jyrkkiä kääntöasteita (ts. säde portissa tai fistelissä < 3 cm).

EHDOTETTU MENETTELY:

Käytä steriiliä tekniikkaa.

Potilaan valmistelu:

1. Anna esilääkitys sopivalla anksiolyytilä, kipulääkkeellä ja/tai antibiootilla laitoksen käytänteiden mukaisesti.

Laitteen toiminnan testaus:

2. Poista CLEANER 15™ rotationaalinen trombektomiajärjestelmä pakkauksesta. Paina ON/OFF -kytkintä varmistaaksesi, että kierrelanka pyörii vapaasti (ks. Kuva 2). Vapauta kytkin pysäyttääksesi rotaattori. **Varoitus: Älä käytä laitetta, jos se ei käynnisty välittömästi kytkintä painettaessa, tai sammu välittömästi kun kytkin vapautetaan.**
3. Huuhtelee CLEANER 15™ katetri heparinisoidulla suolaliuksella ontelomateriaalikatetrin huuhteluportista. Palauta sulkuhana pois päältä -asentoon ennen toimenpidettä.

Trombolyysimenettely:

4. Tee CLEANER 15™ trombolyysimenettely jatkuvan fluoroskopian kanssa. Älä käynnistä kierrelangan pyörimistä (laitteen käynnistys), ellei laitteen oikeasta sijoittumisesta fistelin tai portin alueella saada varmuutta.
5. Valmistele ja levitä pistokohtaa tarpeen mukaan.
6. Käytä paikallispuudutusta pistokohdassa laskimokanyylin sisään viemistä varten.
7. Valitse sopivan kokoinen kanyyli CLEANER 15™ -kateriä varten ja muut laitteet / katetrit, joita voidaan tarvita toimenpiteen aikana. Ohjauslangan maksimikoko riippuu valitusta sisäänvientikanyylista/levittäimestä.
8. Valmistele ja sijoita laskimon sisäänvientikanyyli laitoksen menettelyjen mukaisesti. Laskimokanyyli tulee asettaa portin laskimon puolelle ja suunnata kohti laskimon anastomoosia. Fisteleissä laskimokanyylin sijoittaminen voi vaihdella suonen tukoskuormasta riippuen. Jos laskimokanyyliä käytetään, se tulee asettaa fistelin laskimon puolelle ja suunnata kohti laskimon keskivirtausta. Huom. Jos laskimokatetriä ei käytetä AV-fistelissä, siirry kohtaan 16.

Dialyysiportit ja fistelit

9. Aseta laite peitettyyn asentoon vetämällä liukukytkin distaaliasentoon ja kiertämällä liukukytkintä lukitukseksi peitetty asento (ks. Kuva 3). Peitettyssä asemassa vain kierrelangan pehmeän kärjen tulee tulla ulos katetrasta. Laitetta ei saa käynnistää peitettyssä asemassa.
10. Tue joustavaa kärkeä peukalon ja etusormen välissä kun sitä viedään kanyyliin kautta. Aseta peitetty laite laskimokanyyliin kautta ja fistelin tai portin laskimo-osaan.
11. Portissa edistä taipuisaa kärkeä laskimon anastomoosiin saakka. **Varoitukset: Älä vie sitä anastomoosia edemmäksi.** Fistelissä edistä joustavaa kärkeä hyyttymän suurimpaan keskiseen laajuuteen saakka. Paljasta kierrelanka vapauttamalla lukitus vetämällä liukukytkin täysin takaisin ja kiertämällä liukukytkintä kunnes kuuluu napsahdus (ks. Kuva 4). Varmista laitteen sijoittuminen fisteliin tai porttiin fluoroskopian avulla. Paina ON/OFF -kytkintä aktivoitukseksi kierto.
Huom. Lankaa paljastettaessa tulee varoa, että sitä ei viedä hyyttymään ja anastomoosiin ohi.
12. Laitteen ollessa aktivoituna vedä hitaasti takaisin pyörivä kierrelanka pitkin porttia tai fisteliä rikkoakseen hyyttymän. **Varoitukset: Vetäytymisnopeutta 1-2 cm/s suositellaan, kun havaitaan jyrkkiä kääntöaseteitä.** Kun kierrelanka saavuttaa laskimokanyyliin kärjen, vapauta kytkin pysäyttääksesi rotaattori.
13. Peitä laite ja poista se portista tai fistelistä. Huuhtelee ontelomateriaalikatetri heparinisoidulla suolaliuoksella ja poista manuaalisesti kaikki kertynyt fibriini kierrelangasta.
14. Ime maseroitu hyyttymä kanyyliin kautta ja hävitä imutullos. **Varoitukset: Jatkuva, epäonnistunut aspiraatio saattaa romahduttaa kanyyliin ja portin/fistelien.**
15. Ruiskuta pieni määrä varjoainetta laskimokatetrin kautta arvioidaksesi trombin poistumisen astetta. **Varoitukset: Vältä varjoaineen yli-injektointia valtimoembolisoinnin riskin minimoimiseksi.** Käsittele jäljelle jäänyt trombi toistamalla vaiheet 11-14, kunnes hyväksyttävä trombin poistuminen saavutetaan.
16. Käytä paikallispuudutusta pistokohdassa valtimokanyyliin sisään viemistä varten. Valmistele ja sijoita valtimon sisäänvientikanyyli laitoksen menettelyjen mukaisesti. Valtimokatetri tulee suunnata kohti valtimon anastomoosia. **Varoitukset: Valtimoiden ja laskimoiden kanyylikärjet eivät saa mennä päällekkäin.**
17. Tue joustavaa kärkeä peukalon ja etusormen välissä kun sitä viedään kanyyliin kautta. Aseta uudelleen peitetty laite valtimokanyyliin kautta porttiin tai fistelin valtimo-osaan.
18. Portissa edistä taipuisaa kärkeä valtimoiden anastomoosiin saakka. **Varoitukset: Älä vie sitä anastomoosia edemmäksi.** Fistelissä edistä joustavaa kärkeä hyyttymän suurimpaan keskiseen laajuuteen saakka. Paljasta kierrelanka vapauttamalla lukitus vetämällä liukukytkin täysin takaisin ja kiertämällä liukukytkintä kunnes kuuluu napsahdus. Varmista laitteen sijoittuminen fisteliin tai porttiin fluoroskopian avulla. Paina ON/OFF -kytkintä aktivoitukseksi kierto.
19. Laitteen ollessa aktivoituna vedä hitaasti takaisin pyörivä kierrelanka, paljastetussa asennossa, pitkin porttia tai fisteliä rikkoakseen hyyttymän. **Varoitukset: Vetäytymisnopeutta 1-2 cm/s suositellaan, kun havaitaan jyrkkiä kääntöaseteitä.** Kun kierrelanka saavuttaa valtimokanyyliin kärjen, vapauta kytkin pysäyttääksesi rotaattori.
20. Peitä laite ja poista se portista tai fistelistä. Huuhtelee ontelomateriaalikatetri heparinisoidulla suolaliuoksella ja poista manuaalisesti kaikki kertynyt fibriini kierrelangasta.
21. Ime maseroitu hyyttymä jomman kumman kanyyliin kautta ja hävitä imutullos. **Varoitukset: Jatkuva, epäonnistunut aspiraatio saattaa romahduttaa kanyyliin ja portin/fistelien.**
22. Vie sopiva katetri valtimokanyyliin läpi ja syötä se varovasti portin tai fistelin anastomoosiin ohi. Täytä pallo, jos kyse on pallokatetrasta. Vedä valtimotulppa keskelle valtimo-osaa. Tyhjennä pallo ja poista pallokatetri.
23. Aseta uudelleen peitetty CLEANER 15™ laite valtimokanyyliin kautta portin tai fistelin valtimo-osaan.
24. Paljasta kierrelanka ja aktivoi laite rikkoakseen valtimotulppa, käyttäen varjoainetta ohjaamaan maserointia.
25. Peitä laite ja poista se portista tai fistelistä. Huuhtelee ontelomateriaalikatetri heparinisoidulla suolaliuoksella ja poista manuaalisesti kaikki kertynyt fibriini kierrelangasta.
26. Ime maseroitu hyyttymä kanyyliin kautta ja hävitä imutullos.
27. Injektoi varjoainetta arvioidaksesi tukoksen poistumisen aste. Käsittele jäljelle jäänyt trombi käyttäen CLEANER 15™:tä tarpeen mukaan kummankin katetrin kautta.
28. Kun trombin poistaminen on valmis, hoida mahdollinen taustalla oleva sairaus tai ahtauma laitoksen menettelyjen mukaisesti.
29. Suorita lopullinen fistulogrammi.
30. Poista kanyylit fistelistä tai portista.
31. Saavuta hemostaasi pistetyissä kohdissa laitoksen menettelyjen mukaisesti.

VAROITUS:

Kertakäyttöinen. Älä käytä, käsittele tai steriloitu uudelleen. Tuotteen uudelleenkäyttö, uudelleenkäsitely tai sterilointi uudelleen voi vaarantaa sen rakenteellisen eheyden ja/tai johtaa laitteen toimimattomuuteen, mistä voi olla seurauksena potilaalle vammoja, sairauksia tai kuolema. Uudelleen käyttö, uudelleen käsittely ja uudelleen sterilointi voivat myös aiheuttaa laitteen saastumisen riskin ja/tai aiheuttaa potilaalle tulehduksen tai ristiartunnan, joka voi aiheuttaa, rajoittumatta, tarttuvien tautien leviämisen yhdestä potilaasta toiseen. Laitteen saastuminen voi johtaa potilaan vammautumiseen, sairastumiseen tai kuolemaan.

SÄILYTYS:

Säilytä valvottavassa huoneenlämpötilassa. Älä altista orgaanisille liuottimille, ionisoivalle säteilylle tai uv-valolle.

HÄVITTÄMINEN:

Hävitä katetrijärjestelmä Sähkö- ja elektroniikkalaiteromudirektiivin (WEEED) ja paikallisen laitoksen käytänteiden mukaisesti lääketieteellisenä jätteenä, joka sisältää kertakäyttöisiä, veren kanssa tekemisiin joutuneita laitteita.

TAKUUN VASTUUVAPAUSLAUSEKE JA KORVAUKSEN RAJOITUS:

Tässä julkaisussa kuvatuilla Argon Medicalin tuotteilla/tuotteella ei ole suoraa tai epäsuoraa takuuta, mukaan lukien rajoituksettomat ja oletetut takuut kaupallisesta hyödynnettävyydestä tai sopivuudesta tiettyyn tarkoitukseen. Missään olosuhteissa Argon Medical ei ole vastuussa mistään suorasta, satunnaisesta tai välillisestä vahingosta, paitsi niiltä osin kuin asiaan liittyvä lainsäädäntö erikseen ilmaisee. Kenelläkään henkilöllä ei ole valtuutusta liittää Argon Medicalia mihinkään takuun ilmaukseen, paitsi siltä osin kuin tässä on erityisesti kuvattu.

Kuvausten tai eritelmien Argon Medical painotuotteissa, kuten tässä julkaisussa, on tarkoitus pelkäästään yleisesti kuvata tuotetta sen valmistuksen ajankohtana, eivätkä ne muodosta mitään nimenomaista takuuta.

Argon Medical ei vastaa mistään suorista, satunnaisista tai välillisistä vahingoista, jotka johtuvat tuotteen uudelleenkäytöstä.



MEDICAL — GENERAL MEDICAL EQUIPMENT
AS TO ELECTRICAL SHOCK, FIRE AND MECHANICAL HAZARDS ONLY
IN ACCORDANCE WITH IEC60601-1 3rd Ed. & CAN/CSA-C22.2
NO. 60601.1 (2008), AAMI ES 60601-1:2008
4CR3



Symbolisanasto on sähköisessä muodossa osoitteessa
www.argonmedical.com/symbols.



EMERGO EUROPE
Westervoortsedijk 60
6827 AT Arnhem
The Netherlands
+31 70 345 8570



ARGON MEDICAL DEVICES, INC.
1445 Flat Creek Road
Athens, Texas 75751 USA
Tel: +1 (903) 675 9321
Tel: +1 (800) 927 4669
www.argonmedical.com



Emergo Consulting (UK) Limited
c/o Cr 360 - UL International
Compass House, Vision Park Histon
Cambridge CB24 9BZ
United Kingdom

CLEANER 15™

Rotational Thrombectomy System

French - Lire l'intégralité des instructions avant utilisation

	pages
Mode d'emploi dans le système vasculaire périphérique	1-4
Mode d'emploi dans les greffes et les fistules	5-6

DESCRIPTION DU DISPOSITIF :

Le système de thrombectomie rotationnelle CLEANER 15™ est un système basé sur un cathéter percutané de 7 Fr (construction monobloc). Une unité d'entraînement rotative alimentée par pile, portable et jetable, est reliée à un fil sinusoidal qui tourne à environ 4000 tr/min. Le fil et l'extrémité souple atraumatique sont radio-opaques pour permettre une visualisation radioscopique.

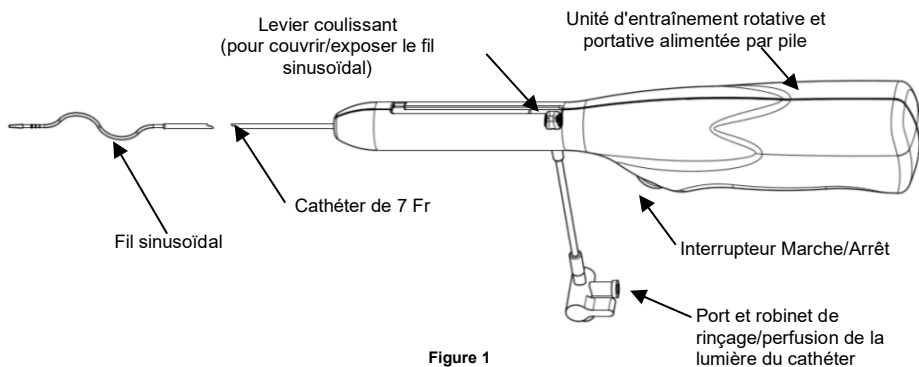


Figure 1

INDICATIONS :

Le système de thrombectomie rotationnelle CLEANER 15™ est indiqué pour l'ablation mécanique des caillots et la perfusion contrôlée et sélective de liquides spécifiés par le médecin (notamment thrombolytiques) dans le système vasculaire périphérique.

CONTRE-INDICATIONS :

Le système de thrombectomie rotationnelle CLEANER 15™ est contre-indiqué dans les situations suivantes :

- Ce système est contre-indiqué lorsque, selon l'avis du médecin, une telle procédure pourrait compromettre l'état du patient.
- Ce système n'est pas conçu pour les procédures de dilatation du système vasculaire périphérique.
- Ce système n'est pas destiné à la perfusion de sang ou de produits sanguins.
- Consulter la notice de la solution thérapeutique envisagée pour prendre connaissances des indications, contre-indications, effets secondaires et précautions.
- Ce système est contre-indiqué dans les vaisseaux natifs d'un diamètre inférieur à 6 mm.
- Ce système est contre-indiqué chez les patients non porteurs d'un filtre vasculaire (par exemple filtre dans la veine cave inférieure).

Système vasculaire périphérique

AVERTISSEMENTS ET PRÉCAUTIONS :

- Lire l'intégralité des avertissements, précautions et instructions de la notice avant utilisation. Le non-respect de cette consigne risque d'entraîner de graves lésions et le décès du patient.
- Ces procédures doivent être exclusivement pratiquées par des médecins et du personnel parfaitement familiarisés avec le dispositif et les techniques employées. Le dispositif a été stérilisé à l'EIO et restera stérile sauf si l'emballage est ouvert ou endommagé. Examiner l'emballage avant toute utilisation ; s'il est endommagé, NE PAS UTILISER le dispositif. Ce dispositif est exclusivement destiné à un usage unique ; NE PAS LE RÉUTILISER NI LE RESTÉRILISER.
- Avant utilisation, examiner minutieusement le système de thrombectomie rotationnelle CLEANER 15™ pour vérifier qu'il n'a pas été endommagé pendant le transport. NE PAS UTILISER le produit si ses composants présentent un quelconque signe de dommage.
- En raison du risque d'exposition au VIH (virus de l'immunodéficience humaine) ou à d'autres agents pathogènes à diffusion hémotogène, les professionnels de santé doivent systématiquement observer les précautions universelles relatives au sang et aux fluides corporels lors de la prise en charge des patients. Une technique stérile doit être rigoureusement employée lors de la manipulation du dispositif.
- En cas de résistance, ne pas avancer le dispositif avant d'en avoir préalablement déterminé la cause par radioscopie et d'avoir pris les mesures correctives nécessaires. L'application d'une force excessive contre une résistance risquerait d'endommager le dispositif ou de léser le système vasculaire.
- Rincer le cathéter avant toute introduction et à chaque fois que le dispositif CLEANER 15™ est retiré du système vasculaire.
- Si le cathéter ou le fil-guide est tordu ou autrement endommagé pendant l'emploi, cesser de l'utiliser et le remplacer.
- Les praticiens doivent être conscients des complications potentielles associées aux procédures de thrombolysse dans le système vasculaire périphérique, notamment :
 - Perforation ou rupture du vaisseau
 - Spasme vasculaire
 - Hématome
 - Sepsis/infection
 - Rupture de l'intima
 - Thrombose vasculaire
 - Réaction allergique au produit de contraste
 - Épisodes thromboemboliques
 - Embolisation distale de caillots sanguins
 - Hémorragie
 - Douleur et sensibilité
 - Thrombophlébite
 - Dissection artérielle
 - Réactions aux médicaments
 - Fistule artério-veineuse
 - Amputation
- Il existe un risque de rupture par fatigue du fil sinusoidal CLEANER 15™ en cas d'activation prolongée du dispositif CLEANER 15™. Il est recommandé d'employer une vitesse de retrait de 1-2 cm/seconde dans les angles aigus (c'est-à-dire rayon d'une greffe ou d'une fistule en boucle, rayons < 3 cm).

PROCÉDURE CONSEILLÉE :

Employer une technique stérile.

Préparation du patient :

1. Procéder à une prémédication avec des anxiolytiques, analgésiques et/ou antibiotiques appropriés conformément au protocole de l'hôpital.

Test de la performance du dispositif :

2. Extraire le système de thrombectomie rotationnelle CLEANER 15™ de son emballage. Appuyer sur l'interrupteur MARCHE/ARRÊT pour vérifier que le fil sinusoidal tourne librement (voir la Figure 2). Relâcher l'interrupteur pour arrêter la rotation. **Précaution : ne pas utiliser le dispositif s'il ne se met pas en marche immédiatement après avoir appuyé sur l'interrupteur, ou s'il ne s'arrête pas immédiatement lorsque l'interrupteur est relâché.**

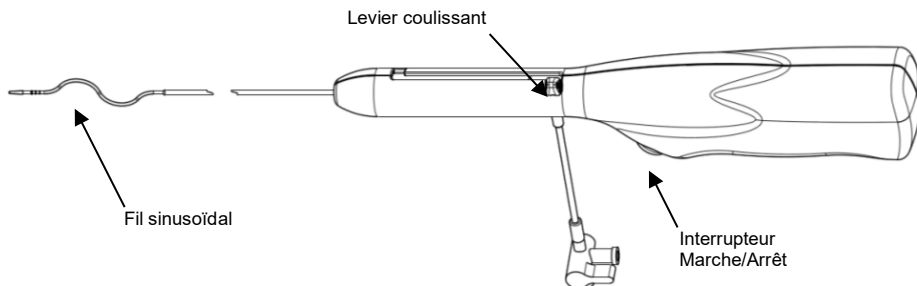


Figure 2

Système vasculaire périphérique

- Raccorder une seringue contenant un agent thérapeutique ou une solution saline héparinée au port de rinçage du cathéter puis rincer le cathéter CLEANER 15™. Veiller à ce que le liquide s'écoule par l'orifice le plus distal du cathéter, localisé à proximité de l'extrémité du cathéter. Fermer le robinet pour « piéger » l'agent thérapeutique ou l'héparine dans le cathéter puis retirer la seringue.

Traitement :

La procédure de traitement exacte doit être déterminée par le médecin. La procédure suivante décrit un mode opératoire possible.

- Exécuter l'intégralité de la procédure sous radioscopie. Ne pas initier la rotation du fil sinusoidal (activation du dispositif) avant d'avoir confirmé le positionnement correct du dispositif dans le système vasculaire périphérique.
- Préparer le site de ponction et placer un champ stérile tel que requis.
- Administer un anesthésique local au niveau du site de ponction en vue de l'insertion de la gaine veineuse.
- Sélectionner une gaine de taille appropriée compatible avec le cathéter CLEANER 15™ et les autres dispositifs/cathéters qui seront éventuellement utilisés pendant la procédure. La taille maximale du fil-guide dépendra de l'ensemble gaine d'introduction/dilatateur choisi. Une longue gaine renforcée doit être utilisée en cas de passage dans la bifurcation iliaque.
- Préparer et mettre en place la gaine d'introduction veineuse conformément au protocole de l'hôpital. La gaine veineuse doit être placée dans la branche veineuse du système vasculaire périphérique, en étant dirigée vers le site de traitement. La mise en place de la gaine veineuse peut être facultative, selon l'importance du caillot dans le vaisseau.
- Placer le dispositif en position couverte. Pour ce faire, pousser le levier coulissant vers la position distale puis tourner ce dernier pour verrouiller le dispositif en position couverte (voir la Figure 3). En position couverte, seule l'extrémité flexible du fil sinusoidal doit dépasser du cathéter. **Avertissement : ne pas activer le dispositif lorsque le fil se trouve en position couverte.**
- Lors de l'insertion dans la valve de la gaine, tenir l'extrémité flexible entre le pouce et l'index. Insérer le dispositif en position couverte dans la gaine veineuse puis dans la branche veineuse du système vasculaire périphérique.
- Raccorder au robinet une seringue de 10 cc contenant l'agent thérapeutique prévu pour la perfusion. Ouvrir le robinet pour permettre la circulation. **Avertissement : veiller à éviter tout reflux de sang dans le cathéter.**

Remarque : suivre les instructions du fabricant en ce qui concerne la reconstitution et la dilution des liquides spécifiés.

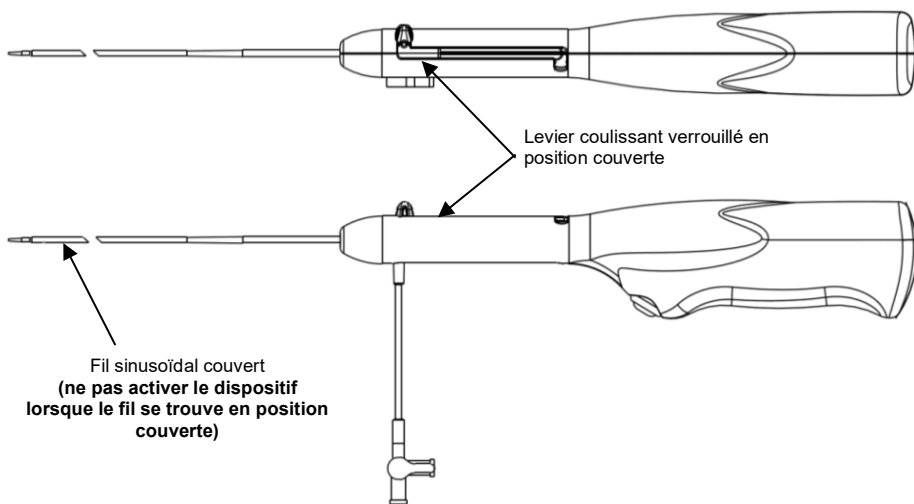


Figure 3

- Avancer l'extrémité flexible jusqu'à la partie la plus distale du caillot. Exposer le fil sinusoidal. Pour ce faire, déverrouiller et rétracter complètement le levier coulissant, puis tourner ce dernier jusqu'à entendre un « clic » (voir la Figure 4). Confirmer la position du dispositif dans le site de traitement par radioscopie. Appuyer sur l'interrupteur MARCHE/ARRÊT pour activer la rotation.

Système vasculaire périphérique

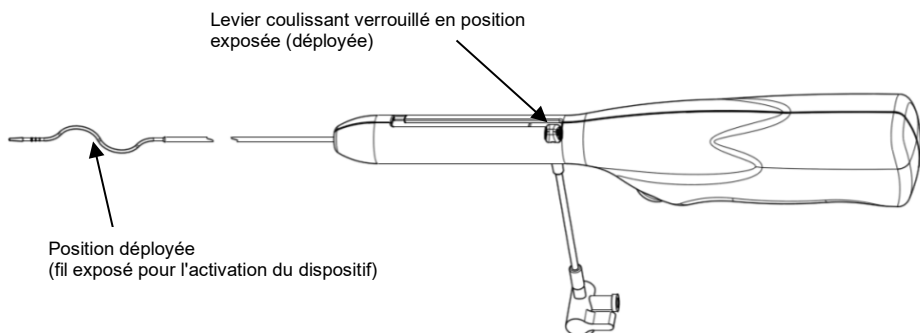


Figure 4

13. Une fois le dispositif activé, tirer lentement le fil sinusoïdal rotatif sur toute la longueur du site de traitement tout en perfusant l'agent thérapeutique dans le port de perfusion afin de dissoudre le caillot. **Avertissement : il est recommandé d'employer une vitesse de retrait de 1-2 cm/seconde dans les angles aigus.** Lorsque le fil sinusoïdal atteint l'extrémité de la gaine veineuse, relâcher l'interrupteur pour arrêter la rotation du fil de dispersion.
14. Placer le dispositif en position couverte puis retirer ce dernier du système vasculaire périphérique. Rincer la lumière du cathéter avec une solution saline héparinée et retirer manuellement la fibrine accumulée sur le fil sinusoïdal.
15. Aspirer le caillot macéré via la gaine puis éliminer l'aspirat. **Précaution : toute aspiration prolongée infructueuse risque de provoquer un collapsus de la gaine et du vaisseau.**
16. Injecter une petite quantité de produit de contraste via la gaine veineuse afin d'évaluer le degré d'ablation du thrombus. **Avertissement : éviter toute surinjection de produit de contraste afin de minimiser le risque d'embolisation.** Traiter le thrombus résiduel en répétant les étapes 11-15 jusqu'à ce que l'ablation du thrombus soit acceptable.
17. Une fois l'ablation du thrombus terminée, traiter toute maladie ou sténose sous-jacente conformément au protocole de l'hôpital.
18. Procéder à l'angiogramme final.
19. Extraire les gaines du système vasculaire périphérique.
20. Obtenir l'hémostase au niveau du ou des sites de ponction conformément au protocole de l'hôpital.

Greffes et fistules

INDICATIONS :

Le système de thrombectomie rotationnelle CLEANER 15™ est indiqué pour l'ablation mécanique des caillots dans les fistules de dialyse des vaisseaux natifs et les greffes d'accès de dialyse synthétiques.

CONTRE-INDICATIONS :

Le système de thrombectomie rotationnelle CLEANER 15™ est contre-indiqué dans les situations suivantes :

- Lorsque, selon l'avis du médecin, une telle procédure pourrait compromettre l'état du patient.
- Ce système est contre-indiqué dans les vaisseaux natifs d'un diamètre inférieur à 6 mm.
- Infection existante au niveau du site d'accès de l'hémodialyse.
- Fistules de dialyse d'un vaisseau natif immatures (fistules qui n'ont pas encore été utilisées pour un traitement d'hémodialyse).

AVERTISSEMENTS ET PRÉCAUTIONS :

- Lire l'intégralité des avertissements, précautions et instructions de la notice avant utilisation. Le non-respect de cette consigne risque d'entraîner de graves lésions et le décès du patient.
- Ces procédures doivent être exclusivement pratiquées par des médecins et du personnel parfaitement familiarisés avec le dispositif et les techniques employées. Le dispositif a été stérilisé à l'EtO et restera stérile sauf si l'emballage est ouvert ou endommagé. Examiner l'emballage avant toute utilisation ; s'il est endommagé, NE PAS UTILISER le dispositif. Ce dispositif est exclusivement destiné à un usage unique ; NE PAS LE RÉUTILISER NI LE RESTÉRILISER.
- Avant utilisation, examiner minutieusement le système de thrombectomie rotationnelle CLEANER 15™ pour vérifier qu'il n'a pas été endommagé pendant le transport. NE PAS UTILISER le produit si ses composants présentent un quelconque signe de dommage.
- En raison du risque d'exposition au VIH (virus de l'immunodéficience humaine) ou à d'autres agents pathogènes à diffusion hémotogène, les professionnels de santé doivent systématiquement observer les précautions universelles relatives au sang et aux fluides corporels lors de la prise en charge des patients. Une technique stérile doit être rigoureusement employée lors de la manipulation du dispositif.
- Les praticiens doivent être conscients des complications potentielles associées aux procédures de thrombolyse des fistules et des greffes de dialyse, notamment :
 - Hémorragie
 - Embolie pulmonaire symptomatique
 - Embolisation artérielle
 - Réaction allergique au produit de contraste
 - Pseudo-anévrisme
 - Douleur et/ou sensibilité
 - Déchirure ou rupture du vaisseau
 - Infection
 - Perforation de l'artère ou de la veine
 - Hématome
 - Décès
- Prendre des précautions lors du délogement du caillot au niveau de l'anastomose artérielle afin de minimiser le risque d'embolisation artérielle.
- En raison de l'absence d'excrétion chez les patients hémodialysés, l'utilisation de produit de contraste doit être maintenue au minimum tout au long de cette procédure.
- Il existe un risque de rupture par fatigue du fil sinusoïdal CLEANER 15™ en cas d'activation prolongée du dispositif CLEANER 15™. Il est recommandé d'employer une vitesse de retrait de 1-2 cm/seconde dans les angles aigus (c'est-à-dire rayon d'une greffe ou d'une fistule en boucle, rayons < 3 cm).

PROCÉDURE CONSEILLÉE :

Employer une technique stérile.

Préparation du patient :

1. Procéder à une prémédication avec des anxiolytiques, analgésiques et/ou antibiotiques appropriés conformément au protocole de l'hôpital.

Test de la performance du dispositif :

2. Extraire le système de thrombectomie rotationnelle CLEANER 15™ de son emballage. Appuyer sur l'interrupteur MARCHE/ARRÊT pour vérifier que le fil sinusoïdal tourne librement (voir la Figure 2). Relâcher l'interrupteur pour arrêter la rotation. **Précaution : ne pas utiliser le dispositif s'il ne se met pas en marche immédiatement après avoir appuyé sur l'interrupteur, ou s'il ne s'arrête pas immédiatement lorsque l'interrupteur est relâché.**
3. Rincer le cathéter CLEANER 15™ en introduisant une solution saline héparinée par le port de rinçage de la lumière du cathéter. Replacer le robinet en position fermée avant l'opération.

Procédure de thrombolyse :

4. Exécuter l'intégralité de la procédure de thrombolyse CLEANER 15™ sous radioscopie. Ne pas initier la rotation du fil sinusoïdal (activation du dispositif) avant d'avoir confirmé le positionnement correct du dispositif dans la fistule ou la greffe.
5. Préparer le site de ponction et placer un champ stérile tel que requis.
6. Administrer un anesthésique local au niveau du site de ponction en vue de l'insertion de la gaine veineuse.

Greffes et fistules

7. Sélectionner une gaine de taille appropriée compatible avec le cathéter CLEANER 15™ et les autres dispositifs/cathéters qui seront éventuellement utilisés pendant la procédure. La taille maximale du fil-guide dépendra de l'ensemble gaine d'introduction/dilatateur choisi.
8. Préparer et mettre en place la gaine d'introduction veineuse conformément au protocole de l'hôpital. La gaine veineuse doit être placée dans la branche veineuse de la greffe, en étant dirigée vers l'anastomose veineuse. Dans les fistules, la mise en place de la gaine veineuse peut être facultative, selon l'importance du caillot dans le vaisseau. En cas d'utilisation d'une gaine veineuse, celle-ci doit être placée dans la branche veineuse de la fistule, en étant dirigée vers la voie veineuse centrale. Remarque : en l'absence d'utilisation de gaine veineuse dans la fistule AV, passer à l'étape 16.
9. Placer le dispositif en position couverte. Pour ce faire, pousser le levier coulissant vers la position distale puis tourner ce dernier pour verrouiller le dispositif en position couverte (voir la Figure 3). En position couverte, seule l'extrémité flexible du fil sinusoidal doit dépasser du cathéter. Ne pas activer le dispositif lorsque le fil se trouve en position couverte.
10. Lors de l'insertion dans la valve de la gaine, tenir l'extrémité flexible entre le pouce et l'index. Insérer le dispositif couvert dans la gaine veineuse puis dans la branche veineuse de la fistule ou de la greffe.
11. Dans une greffe, avancer l'extrémité flexible jusqu'à l'anastomose veineuse. **Avertissement : ne pas avancer l'extrémité flexible au-delà de l'anastomose.** Dans une fistule, avancer l'extrémité flexible jusqu'à la partie la plus centrale du caillot. Exposer le fil sinusoidal. Pour ce faire, déverrouiller et rétracter complètement le levier coulissant, puis tourner ce dernier jusqu'à entendre un « clic » (voir la Figure 4). Confirmer la position du dispositif dans la fistule ou la greffe par radioscopie. Appuyer sur l'interrupteur MARCHE/ARRÊT pour activer la rotation.
Remarque : lorsque le fil est exposé, prendre des précautions pour éviter de l'avancer dans le caillot et au-delà de l'anastomose.
12. Une fois le dispositif activé, tirer lentement le fil sinusoidal rotatif sur toute la longueur de la greffe ou de la fistule afin de dissoudre le caillot. **Avertissement : il est recommandé d'employer une vitesse de retrait de 1-2 cm/seconde dans les angles aigus.** Lorsque le fil sinusoidal atteint l'extrémité de la gaine veineuse, relâcher l'interrupteur pour arrêter la rotation.
13. Placer le dispositif en position couverte puis retirer ce dernier de la greffe ou la fistule. Rincer la lumière du cathéter avec une solution saline héparinée et retirer manuellement la fibrine accumulée sur le fil sinusoidal.
14. Aspirer le caillot macéré via la gaine puis éliminer l'aspirat. **Précaution : toute aspiration prolongée infructueuse risque de provoquer un collapsus de la gaine et de la greffe/fistule.**
15. Injecter une petite quantité de produit de contraste via la gaine veineuse afin d'évaluer le degré d'ablation du thrombus. **Avertissement : éviter toute surinjection de produit de contraste afin de minimiser le risque d'embolisation artérielle.** Traiter le thrombus résiduel en répétant les étapes 11-14 jusqu'à ce que l'ablation du thrombus soit acceptable.
16. Administrer un anesthésique local au niveau du site de ponction en vue de l'insertion de la gaine artérielle. Préparer et mettre en place la gaine d'introduction artérielle conformément au protocole de l'hôpital. La gaine artérielle doit être dirigée vers l'anastomose artérielle. **Précaution : les extrémités des gaines artérielle et veineuse ne doivent pas se chevaucher.**
17. Lors de l'insertion dans la valve de la gaine, tenir l'extrémité flexible entre le pouce et l'index. Insérer le dispositif en position couverte dans la gaine artérielle puis dans la branche artérielle de la fistule ou de la greffe.
18. Dans une greffe, avancer l'extrémité flexible jusqu'à l'anastomose artérielle. **Avertissement : ne pas avancer l'extrémité flexible au-delà de l'anastomose.** Dans une fistule, avancer l'extrémité flexible jusqu'à la partie la plus centrale du caillot. Exposer le fil sinusoidal. Pour ce faire, déverrouiller et rétracter complètement le levier coulissant, puis tourner ce dernier jusqu'à entendre un « clic ». Confirmer la position du dispositif dans la fistule ou la greffe par radioscopie. Appuyer sur l'interrupteur MARCHE/ARRÊT pour activer la rotation.
19. Une fois le dispositif activé, tirer lentement le fil sinusoidal rotatif, en position exposée, sur toute la longueur de la greffe ou de la fistule afin de dissoudre le caillot. **Avertissement : il est recommandé d'employer une vitesse de retrait de 1-2 cm/seconde dans les angles aigus.** Lorsque le fil sinusoidal atteint l'extrémité de la gaine artérielle, relâcher l'interrupteur pour arrêter la rotation.
20. Placer le dispositif en position couverte puis retirer ce dernier de la greffe ou la fistule. Rincer la lumière du cathéter avec une solution saline héparinée et retirer manuellement la fibrine accumulée sur le fil sinusoidal.
21. Aspirer le caillot macéré via l'une des gaines puis éliminer l'aspirat. **Précaution : toute aspiration prolongée infructueuse risque de provoquer un collapsus de la gaine et de la greffe/fistule.**
22. Introduire un cathéter approprié dans la gaine artérielle puis acheminer ce dernier avec précaution au-delà de l'anastomose artérielle de la greffe ou la fistule. En cas d'utilisation d'un cathéter à ballonnet, gonfler le ballonnet. Tirer le bouchon artériel jusqu'au milieu de la branche artérielle. Dégonfler le ballonnet et retirer le cathéter à ballonnet.
23. Réinsérer le dispositif CLEANER 15™ en position couverte dans la gaine artérielle puis dans la branche artérielle de la greffe ou la fistule.
24. Exposer le fil sinusoidal et activer le dispositif pour dissoudre le bouchon artériel, en utilisant du produit de contraste pour guider la macération.
25. Placer le dispositif en position couverte puis retirer ce dernier de la greffe ou la fistule. Rincer la lumière du cathéter avec une solution saline héparinée et retirer manuellement la fibrine accumulée sur le fil sinusoidal.
26. Aspirer le caillot macéré via la gaine puis éliminer l'aspirat.
27. Injecter du produit de contraste pour évaluer le degré d'ablation du thrombus. Si nécessaire, traiter le thrombus résiduel en introduisant le dispositif CLEANER 15™ dans l'une des gaines.
28. Une fois l'ablation du thrombus terminée, traiter toute maladie ou sténose sous-jacente conformément au protocole de l'hôpital.
29. Procéder au fistulogramme final.
30. Retirer les gaines de la fistule ou de la greffe.
31. Obtenir l'hémostase au niveau du ou des sites de ponction conformément au protocole de l'hôpital.

AVERTISSEMENT :

Réservé à un usage unique. Ne pas réutiliser, retraiter ni restériliser. Toute réutilisation, retraitement ou restérilisation risque de compromettre l'intégrité structurelle du dispositif et/ou d'entraîner une défaillance qui, à son tour, peut provoquer une lésion, une maladie ou le décès du patient. Toute réutilisation, retraitement ou restérilisation peut également créer un risque de contamination du dispositif et/ou provoquer une infection ou une infection croisée du patient, y compris, sans s'y limiter, la transmission de maladie(s) infectieuse(s) d'un patient à un autre. La contamination du dispositif peut entraîner une lésion, une maladie ou le décès du patient.

STOCKAGE :

Conserver à une température ambiante contrôlée. Ne pas exposer aux solvants organiques, aux rayonnements ionisants ou aux rayons ultraviolets.

MISE AU REBUT :

Éliminer le système de cathéter conformément à la directive relative aux déchets d'équipements électriques et électroniques (DEEE) et aux procédures standard de l'établissement relatives aux déchets médicaux comprenant des dispositifs à usage unique en contact avec du sang.

EXCLUSION DE GARANTIE ET LIMITATION DES RECOURS :

Il n'existe aucune garantie expresse ou implicite, y compris sans s'y limiter toute garantie de qualité marchande ou d'adéquation à un usage particulier, pour le(s) produit(s) Argon Medical décrit(s) dans cette publication. Argon Medical ne sera en aucun cas tenue pour responsable de dommages directs, indirects ou consécutifs autres que ceux expressément stipulés par la législation spécifique. Nul n'a l'autorité de lier Argon Medical à une quelconque représentation ou garantie à l'exception de celles spécifiquement décrites dans le présent avis.

Les descriptions ou spécifications figurant dans les publications de Argon Medical, y compris la présente publication, ont pour seul objectif de décrire le produit de manière générale au moment de sa fabrication et ne sauraient constituer une quelconque garantie expresse.

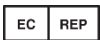
Argon Medical ne sera pas tenue pour responsable des dommages directs, indirects ou consécutifs découlant de la réutilisation du produit.



MEDICAL — GENERAL MEDICAL EQUIPMENT
AS TO ELECTRICAL SHOCK, FIRE AND MECHANICAL HAZARDS ONLY
IN ACCORDANCE WITH IEC60601-1 3rd Ed. & CAN/CSA-C22.2
NO. 60601.1 (2008), AAMI ES 60601-1:2008
4CR3



Le glossaire des symboles est disponible sous forme électronique à l'adresse www.argonmedical.com/symbols



EMERGO EUROPE
Westervoortsedijk 60
6827 AT Arnhem
The Netherlands
+31 70 345 8570



ARGON MEDICAL DEVICES, INC.
1445 Flat Creek Road
Athens, Texas 75751 USA
Tel: +1 (903) 675 9321
Tel: +1 (800) 927 4669
www.argonmedical.com



Emergo Consulting (UK) Limited
c/o Cr 360 - UL International
Compass House, Vision Park Histon
Cambridge CB24 9BZ
United Kingdom

CLEANER 15™

Rotational Thrombectomy System

German - Vor Gebrauch Anleitung vollständig lesen

Seiten

Gebrauchsanleitung für Einsatz in peripherem Gefäßsystem	1-4
Gebrauchsanleitung für Einsatz in Grafts und Fisteln	5-6

PRODUKTBESCHREIBUNG:

Das Rotations-Thrombektomiesystem CLEANER 15™ beruht auf einem perkutanen 7-Ch-Katheter (einteilige Bauweise). Eine batteriebetriebene Hand-Motorantriebseinheit ist mit einem sinusförmigen Draht (im Folgenden S-Draht genannt) verbunden, der sich mit ungefähr 4000 Umdrehungen/Minute dreht. Der Draht und die atraumatische, weiche Spitze sind für die Darstellung unter Durchleuchtung röntgengicht.

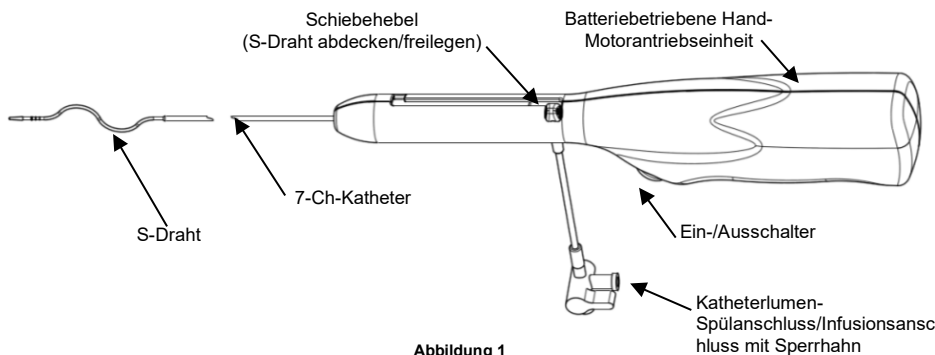


Abbildung 1

INDIKATIONEN:

Das Rotations-Thrombektomiesystem CLEANER 15™ ist angezeigt für die mechanische Entfernung von Gefäßverschlüssen und die kontrollierte, selektive Infusion vom Arzt vorgegebener Flüssigkeiten, einschließlich Thrombolytika, in das periphere Gefäßsystem.

KONTRAINDIKATIONEN:

Das Rotations-Thrombektomiesystem CLEANER 15™ ist in folgenden Fällen kontraindiziert:

- Dieses System ist kontraindiziert, wenn ein solches Verfahren nach der Meinung des Arztes den Zustand des Patienten beeinträchtigen kann.
- Nicht zum Zweck der Dilatation im peripheren Gefäßsystem bestimmt.
- Dieses System ist nicht für die Infusion von Blut oder Blutprodukten bestimmt.
- Indikationen, Kontraindikationen, Nebenwirkungen und Vorsichtsmaßnahmen entnehmen Sie bitte der Produktbeilage der therapeutischen Lösung Ihrer Wahl.
- In nativen Gefäßen mit einem Durchmesser von weniger als 6 mm
- Bei Patienten ohne Gefäßfilter, z. B. einem Filter in der unteren Hohlvene.

Peripheres Gefäßsystem

WARNHINWEISE UND VORSICHTSMASSNAHMEN:

- Lesen Sie vor dem Gebrauch sämtliche Warnhinweise, Vorsichtsmaßnahmen und Anweisungen auf der Packungsbeilage. Anderenfalls können schwerwiegende Verletzungen und Tod des Patienten die Folge sein.
- Diese Verfahren dürfen nur von Ärzten und Personal durchgeführt werden, die mit den zum Einsatz kommenden Instrumenten und Techniken vertraut sind. Das Gerät wurde mit EtO sterilisiert und ist steril, sofern die Verpackung nicht beschädigt oder geöffnet ist. Die Verpackung ist vor dem Gebrauch zu inspizieren; bei Beschädigung darf das Produkt NICHT VERWENDET WERDEN. Das Produkt ist für den Einsatz an einem einzigen Patienten bestimmt; NICHT WIEDERVERWENDEN ODER ERNEUT STERILISIEREN.
- Inspizieren Sie das Rotations-Thrombektomiesystem CLEANER 15™ vor dem Gebrauch sorgfältig, um Transportschäden auszuschließen. Wenn die Produktkomponenten Anzeichen von Beschädigungen aufweisen, darf das Produkt NICHT VERWENDET WERDEN.
- Aufgrund des Risikos einer Exposition gegenüber dem HIV (Humanes Immundefizienzvirus) oder anderen durch Blut übertragenen Krankheitserregern muss das medizinische Personal bei der Pflege aller Patienten routinemäßig universelle Schutzmaßnahmen gegen Blut- und Körperflüssigkeiten anwenden. Während jeglicher Handhabung des Produkts sind strikt sterile Techniken zu befolgen.
- Wenn Sie auf Widerstand stoßen, schieben Sie das Instrument nicht vor, ohne zuvor unter Durchleuchtung die Ursache für den Widerstand zu bestimmen und geeignete Abhilfemaßnahmen zu ergreifen. Übermäßige Kräfteanwendung gegen Widerstand kann zu Schäden am Gerät oder Verletzung des Gefäßsystems führen.
- Der Katheter ist vor dem Einführen und nach jedem Entfernen von CLEANER 15™ aus dem Gefäßsystem zu spülen.
- Wenn der Katheter oder Führungsdraht während des Gebrauchs knickt oder auf andere Weise beschädigt wird, dürfen diese nicht weiter verwendet werden und sind zu ersetzen.
- Ärzte müssen die potenziellen Komplikationen im Zusammenhang mit der Thrombolysen im peripheren Gefäßsystem kennen. Hierzu gehören:
 - Gefäßperforation oder -ruptur
 - Vasospasmus
 - Hämatom
 - Sepsis/Infektion
 - Intimarriss
 - Gefäßthrombose
 - Allergische Reaktion auf Kontrastmittel
 - Thromboembolische Ereignisse
 - Distale Embolisierung von Blutgerinnseln
 - Blutungen
 - Schmerzen und Empfindlichkeit
 - Thrombophlebitis
 - Arterielle Dissektion
 - Arzneimittelreaktionen
 - Arteriovenöse Fistel
 - Amputation
- Bei lang andauernder Aktivierung des CLEANER 15™-Geräts kann es potenziell zu Schwingungsbruch des S-Drahts an CLEANER 15™ kommen. Bei engen Kurven (z. B. dem Radius einer Loop-Prothese oder Fistel, Radius < 3 cm) wird eine Rückzugrate von 1-2 cm/Sekunde empfohlen.

EINE EMPFOHLENE VORGEHENSWEISE:

Sterile Techniken anwenden.

Patientenvorbereitung:

1. Prämedikation mit geeignetem Anxiolytikum, Analgetikum und/oder Antibiotikum gemäß Krankenhausprotokoll.

Prüfen der Leistungsfähigkeit des Produkts:

2. Entnehmen Sie das Rotations-Thrombektomiesystem CLEANER 15™ aus der Verpackung. Drücken Sie den EIN-/AUS-Schalter, um die ungehinderte Drehung des S-Drahts zu prüfen (siehe Abb. 2). Lassen Sie den Schalter los, um den Motor anzuhalten. **Vorsicht: Verwenden Sie das Gerät nicht, wenn es sich nicht sofort nach Betätigung des Schalters einschaltet und sofort nach Loslassen des Schalters ausschaltet.**

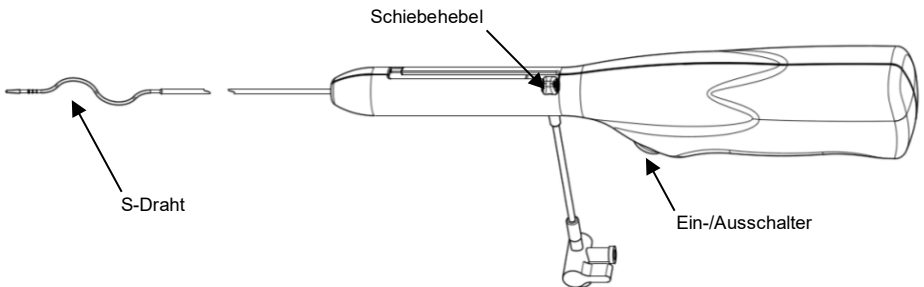


Abbildung 2

Peripheres Gefäßsystem

3. Bringen Sie am Katheterspülanschluss eine Spritze mit einem Therapeutikum oder heparinisierte Kochsalzlösung an und spülen Sie den CLEANER 15™-Katheter. Vergewissern Sie sich, dass aus der am weitesten distal gelegenen Katheteröffnung, die sich in der Nähe des Katheterendes befindet, Flüssigkeit austritt. Verschließen Sie den Sperrhahn, um das Therapeutikum bzw. Heparin im Katheter zu halten und entfernen Sie die Spritze.

Behandlung:

Das genaue Behandlungsverfahren ist durch den Arzt festzulegen. Nachfolgend wird eine Möglichkeit beschrieben, das Verfahren durchzuführen.

4. Führen Sie das Verfahren unter ständiger Durchleuchtung durch. Starten Sie die Rotation des S-Drahts (Geräteaktivierung) erst, nachdem die richtige Positionierung des Geräts im peripheren Gefäßsystem bestätigt wurde.
5. Bereiten Sie die Einstichstelle nach Bedarf vor und decken Sie diese ab.
6. Geben Sie zum Einführen der intravenösen Schleuse an der Einstichstelle ein Lokalanästhetikum.
7. Wählen Sie eine Schleuse von geeigneter Größe. Sie muss den CLEANER 15™-Katheter und andere beim Verfahren benötigte Instrumente/Katheter aufnehmen können. Die maximale Führungsdrahtgröße ist von der gewählten Kombination aus Einführschleuse und Dilator abhängig. Wenn die iliakale Bifurkation durchquert werden muss, sollte eine lange, verstärkte Schleuse verwendet werden.
8. Bereiten Sie die intravenöse Einführschleuse gemäß Krankenhausprotokoll vor und setzen Sie diese. Die intravenöse Schleuse sollte im venösen Zweig des peripheren Gefäßsystems gesetzt und zur Behandlungsstelle geleitet werden. Je nach Gerinnselbelastung im Gefäß kann die Platzierung der intravenösen Schleuse optional sein.
9. Schließen Sie die Abdeckung des Geräts, indem Sie den Schiebehebel in die distale Position bringen, in die Verschlussposition drehen und dort einrasten (siehe Abb. 3). In der Verschlussposition steht nur die flexible Spitze des S-Drahts über den Katheter hervor. **Warnung: Das Gerät darf in der Verschlussposition nicht aktiviert werden.**
10. Halten Sie die flexible Spitze beim Einführen durch das Schleusenventil zwischen Daumen und Zeigefinger. Führen Sie das Instrument mit geschlossener Abdeckung durch die intravenöse Schleuse und in den venösen Zweig des peripheren Gefäßsystems ein.
11. Schließen Sie eine 10-ml-Spritze mit dem für die Infusion vorgesehenen Therapeutikum an den Sperrhahn an. Öffnen Sie den Sperrhahn, um den Flüssigkeitsfluss zu starten. **Warnung: Es darf kein Blut in den Katheter zurückgezogen werden.**

Hinweis: Befolgen Sie die Herstelleranweisungen in Bezug auf die Wiederherstellung und Verdünnung der angegebenen Flüssigkeiten.

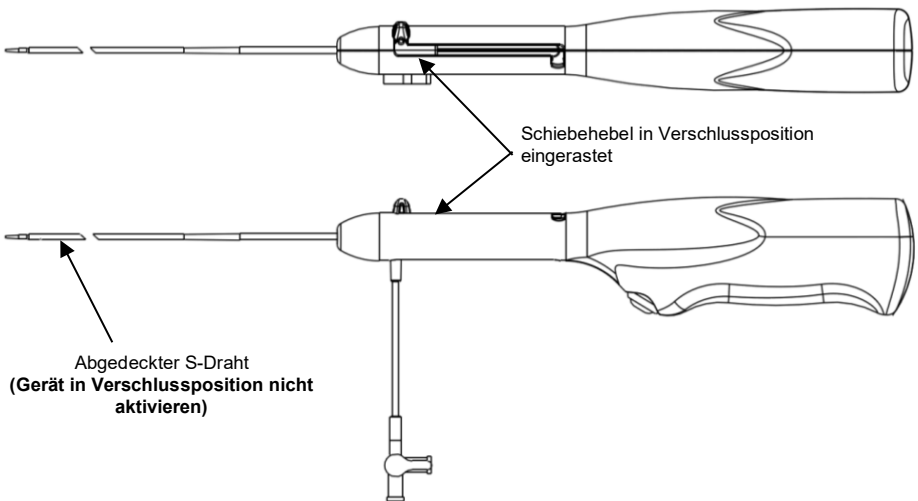


Abbildung 3

12. Schieben Sie die flexible Spitze bis zum am weitesten distal gelegenen Ende des Gerinnsels vor. Öffnen Sie die Abdeckung des S-Drahts, indem Sie den Schiebehebel ganz zurückziehen und drehen, bis er hörbar einrastet (siehe Abb. 4). Bestätigen Sie per Durchleuchtung die Geräteposition an der Behandlungsstelle. Drücken Sie den EIN-/AUS-Schalter, um die Drehung zu starten.

Peripheres Gefäßsystem

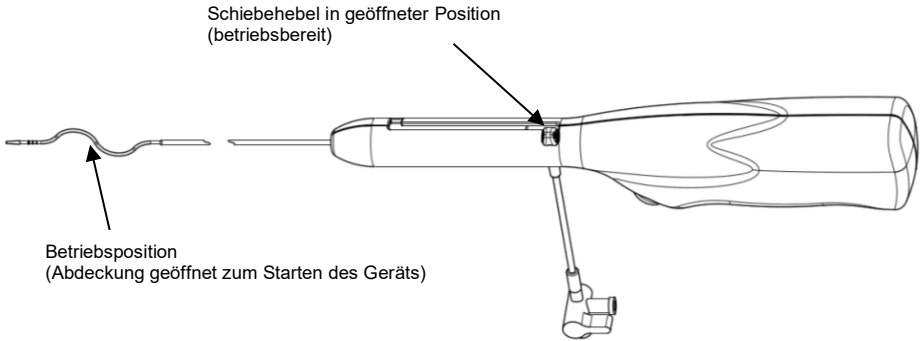


Abbildung 4

13. Ziehen Sie bei aktiviertem Gerät den rotierenden S-Draht langsam durch die Behandlungsstelle zurück, während Sie das Therapeutikum zum Aufbrechen des Gerinnsels durch den Infusionsanschluss einbringen. **Warnung: Bei engen Kurven wird eine Rückzugrate von 1 - 2 cm/Sekunde empfohlen.** Wenn der S-Draht die Spitze der intravenösen Schleuse erreicht, lassen Sie den Schalter los, um die Drehung des Dispersionsdrahts zu beenden.
14. Schließen Sie die Abdeckung und ziehen Sie das Instrument aus dem peripheren Gefäßsystem. Spülen Sie das Katheterlumen mit heparinierter Kochsalzlösung und entfernen Sie von Hand etwaige Fibrinrückstände vom S-Draht.
15. Aspirieren Sie das zerkleinerte Gerinnsel durch die Schleuse und entsorgen Sie das Aspirat. **Vorsicht: Bei andauernder erfolgloser Aspiration können Schleuse und Gefäß kollabieren.**
16. Injizieren Sie eine geringe Menge Kontrastmittel in die intravenöse Schleuse, um den Grad der erreichten Thrombusbeseitigung zu beurteilen. **Warnung: Zur Minimierung des Embolisierungsrisikos ist eine übermäßige Injektion von Kontrastmittel zu vermeiden.** Behandeln Sie den restlichen Thrombus, indem Sie die Schritte 11 - 15 wiederholen, bis eine akzeptable Thrombusbeseitigung erzielt ist.
17. Nach Abschluss der Thrombusbeseitigung behandeln Sie etwaige zugrunde liegende Erkrankungen oder Stenosen gemäß Krankenhausprotokoll.
18. Führen Sie das abschließende Angiogramm durch.
19. Entnehmen Sie die Schleusen aus dem peripheren Gefäßsystem.
20. Erzielen Sie an der Einstichstelle (bzw. mehreren) gemäß Krankenhausprotokoll Hämostase.

Grafts und Fisteln

INDIKATIONEN:

Das Rotations-Thrombektomiesystem CLEANER 15™ ist indiziert für die mechanische Entfernung von Blutgerinnseln, die sich in Dialysefisteln aus nativen Gefäßen oder künstlichen Dialysezugangsprothesen (Grafts) befinden.

KONTRAINDIKATIONEN:

Das Rotations-Thrombektomiesystem CLEANER 15™ ist in folgenden Fällen kontraindiziert:

- Wenn ein solches Verfahren nach der Meinung des Arztes den Zustand des Patienten beeinträchtigen kann.
- In nativen Gefäßen mit einem Durchmesser von weniger als 6 mm
- Bestehende Infektion der Hämodialyse-Zugangsstelle.
- Unreife Dialysefisteln aus nativen Gefäßen (Fisteln, die noch nicht für mindestens eine Hämodialysebehandlung verwendet wurden).

WARNHINWEISE UND VORSICHTSMASSNAHMEN:

- Lesen Sie vor dem Gebrauch sämtliche Warnhinweise, Vorsichtsmaßnahmen und Anweisungen auf der Packungsbeilage. Anderenfalls können schwerwiegende Verletzungen und Tod des Patienten die Folge sein.
- Diese Verfahren dürfen nur von Ärzten und Personal durchgeführt werden, die mit den zum Einsatz kommenden Instrumenten und Techniken vertraut sind. Das Gerät wurde mit EtO sterilisiert und ist steril, sofern die Verpackung nicht beschädigt oder geöffnet ist. Die Verpackung ist vor dem Gebrauch zu inspizieren; bei Beschädigung darf das Produkt NICHT VERWENDET WERDEN. Das Produkt ist für den Einsatz an einem einzigen Patienten bestimmt; NICHT WIEDERVERWENDEN ODER ERNEUT STERILISIEREN.
- Inspizieren Sie das Rotations-Thrombektomiesystem CLEANER 15™ vor dem Gebrauch sorgfältig, um Transportschäden auszuschließen. Wenn die Produktkomponenten Anzeichen von Beschädigungen aufweisen, darf das Produkt NICHT VERWENDET WERDEN.
- Aufgrund des Risikos einer Exposition gegenüber dem HIV (Humanes Immundefizienzvirus) oder anderen durch Blut übertragenen Krankheitserregern muss das medizinische Personal bei der Pflege aller Patienten routinemäßig universelle Schutzmaßnahmen gegen Blut- und Körperflüssigkeiten anwenden. Während jeglicher Handhabung des Produkts sind strikt sterile Techniken zu befolgen.
- Ärzte müssen die potenziellen Komplikationen im Zusammenhang mit der Thrombolysen in Dialysefisteln und Grafts kennen. Hierzu gehören:
 - Blutungen
 - Symptomatische Lungenembolie
 - Arterielle Embolisierung
 - Allergische Reaktion auf Kontrastmittel
 - Pseudoaneurysma
 - Schmerzen und/oder Empfindlichkeit
 - Gefäßriss oder -beschädigung
 - Infektion
 - Perforation der Arterie oder Vene
 - Hämatom
 - Tod
- Zur Minimierung des Risikos einer arteriellen Embolisierung ist beim Verschieben des Thrombus an der arteriellen Anastomose Vorsicht geboten.
- Aufgrund des bei Hämodialysepatienten üblichen Exkretionsmangels ist der Einsatz von Kontrastmittel für den gesamten Verlauf des Verfahrens auf einem Minimum zu halten.
- Bei lang andauernder Aktivierung des CLEANER 15™-Geräts kann es potenziell zu Schwingungsbruch des S-Drahts an CLEANER 15™ kommen. Bei engen Kurven (z. B. dem Radius einer Loop-Prothese oder Fistel, Radius < 3 cm) wird eine Rückzugrate von 1-2 cm/Sekunde empfohlen.

EINE EMPFOHLENE VORGEHENSWEISE:

Sterile Techniken anwenden.

Patientenvorbereitung:

1. Prämedikation mit geeignetem Anxiolytikum, Analgetikum und/oder Antibiotikum gemäß Krankenhausprotokoll.

Prüfen der Leistungsfähigkeit des Produkts:

2. Entnehmen Sie das Rotations-Thrombektomiesystem CLEANER 15™ aus der Verpackung. Drücken Sie den EIN-/AUS-Schalter, um die ungehinderte Drehung des S-Drahts zu prüfen (siehe Abb. 2). Lassen Sie den Schalter los, um den Motor anzuhalten. **Vorsicht: Verwenden Sie das Gerät nicht, wenn es sich nicht sofort nach Betätigung des Schalters einschaltet und sofort nach Loslassen des Schalters ausschaltet.**
3. Spülen Sie den CLEANER 15™-Katheter mit heparinisierter Kochsalzlösung durch den Katheterlumen-Spülanschluss. Bringen Sie den Sperrhahn vor dem Betrieb wieder in Verschlussposition.

Thrombolysenverfahren:

4. Führen Sie das Thrombolysenverfahren mit CLEANER 15™ unter ständiger Durchleuchtung durch. Starten Sie die Rotation des S-Drahts (Geräteaktivierung) erst, nachdem die richtige Positionierung des Instruments in der Fistel bzw. im Graft bestätigt wurde.
5. Bereiten Sie die Einstichstelle nach Bedarf vor und decken Sie diese ab.
6. Geben Sie zum Einführen der intravenösen Schleuse an der Einstichstelle ein Lokalanästhetikum.

Grafts und Fisteln

7. Wählen Sie eine Schleuse von geeigneter Größe. Sie muss den CLEANER 15™-Katheter und andere beim Verfahren benötigte Instrumente/Katheter aufnehmen können. Die maximale Führungsdrahtgröße ist von der gewählten Kombination aus Einführschleuse und Dilatator abhängig.
8. Bereiten Sie die intravenöse Einführschleuse gemäß Krankenhausprotokoll vor und setzen Sie diese. Die intravenöse Schleuse sollte im venösen Zweig der Prothese gesetzt und zur venösen Anastomose geleitet werden. Bei Fisteln kann die Platzierung der intravenösen Schleuse je nach Gerinnselbelastung im Gefäß optional sein. Wenn eine intravenöse Schleuse verwendet wird, sollte sie im venösen Zweig der Fistel gesetzt und zum zentralvenösen Ausstrom geleitet werden. Hinweis: Wenn in der AV-Fistel keine intravenöse Schleuse verwendet wird, fahren Sie mit Schritt 16 fort.
9. Schließen Sie die Abdeckung des Geräts, indem Sie den Schieber in die distale Position bringen, in die Verschlussposition drehen und dort einrasten (siehe Abb. 3). In der Verschlussposition steht nur die flexible Spitze des S-Drahts über den Katheter hervor. Das Gerät darf in der Verschlussposition nicht aktiviert werden.
10. Halten Sie die flexible Spitze beim Einführen durch das Schloßventil zwischen Daumen und Zeigefinger. Führen Sie das Instrument mit geschlossener Abdeckung durch die intravenöse Schleuse und in den venösen Zweig der Fistel bzw. des Grafts ein.
11. Bei einem Graft schieben Sie die flexible Spitze bis zur venösen Anastomose vor. **Warnung: Nicht über die Anastomose hinaus vorschieben.** Bei einer Fistel schieben Sie die flexible Spitze bis zum am weitesten mittig gelegenen Ende des Gerinnsels vor. Öffnen Sie die Abdeckung des S-Drahts, indem Sie den Schieber ganz zurückziehen und drehen, bis er hörbar einrastet (siehe Abb. 4). Bestätigen Sie per Durchleuchtung die Instrumentenposition in der Fistel bzw. im Graft. Drücken Sie den EIN-/AUS-Schalter, um die Drehung zu starten.
Hinweis: Beim Öffnen der Abdeckung des Drahts ist Vorsicht geboten, damit der Draht nicht in das Gerinnsel und über die Anastomose hinaus vorgeschoben wird.
12. Ziehen Sie bei aktiviertem Gerät den rotierenden S-Draht langsam durch die Fistel bzw. den Graft zurück, um das Gerinnsel aufzubrechen. **Warnung: Bei engen Kurven wird eine Rückzugrate von 1 - 2 cm/Sekunde empfohlen.** Wenn der S-Draht die Spitze der intravenösen Schleuse erreicht, lassen Sie den Schalter los, um den Motor abzuschalten.
13. Schließen Sie die Abdeckung und ziehen Sie das Instrument aus der Fistel bzw. dem Graft. Spülen Sie das Katheterlumen mit heparinierter Kochsalzlösung und entfernen Sie von Hand etwaige Fibrinrückstände vom S-Draht.
14. Aspirieren Sie das zerkleinerte Gerinnsel durch die Schleuse und entsorgen Sie das Aspirat. **Vorsicht: Bei andauernder erfolgloser Aspiration können Schleuse und Graft/Fistel kollabieren.**
15. Injizieren Sie eine geringe Menge Kontrastmittel in die intravenöse Schleuse, um den Grad der erreichten Thrombusbeseitigung zu beurteilen. **Warnung: Zur Minimierung des Risikos einer arteriellen Embolisierung ist eine übermäßige Injektion von Kontrastmittel zu vermeiden.** Behandeln Sie den restlichen Thrombus, indem Sie die Schritte 11 - 14 wiederholen, bis eine akzeptable Thrombusbeseitigung erzielt ist.
16. Geben Sie zum Einführen der arteriellen Schleuse an der Einstichstelle ein Lokalanästhetikum. Bereiten Sie die arterielle Einführschleuse gemäß Krankenhausprotokoll vor und setzen Sie diese. Die arterielle Schleuse sollte zur arteriellen Anastomose hin ausgerichtet sein. **Vorsicht: Die Spitzen der arteriellen und intravenösen Schleusen dürfen nicht überlappen.**
17. Halten Sie die flexible Spitze beim Einführen durch das Schloßventil zwischen Daumen und Zeigefinger. Führen Sie das Instrument mit geschlossener Abdeckung durch die arterielle Schleuse in den arteriellen Zweig der Fistel bzw. des Grafts ein.
18. Bei einem Graft schieben Sie die flexible Spitze bis zur arteriellen Anastomose vor. **Warnung: Nicht über die Anastomose hinaus vorschieben.** Bei einer Fistel schieben Sie die flexible Spitze bis zum am weitesten mittig gelegenen Ende des Gerinnsels vor. Öffnen Sie die Abdeckung des S-Drahts, indem Sie den Schieber ganz zurückziehen und drehen, bis er hörbar einrastet. Bestätigen Sie per Durchleuchtung die Instrumentenposition in der Fistel bzw. im Graft. Drücken Sie den EIN-/AUS-Schalter, um die Drehung zu starten.
19. Ziehen Sie bei aktiviertem Gerät den rotierenden S-Draht mit geöffneter Abdeckung langsam durch die Fistel bzw. den Graft zurück, um das Gerinnsel aufzubrechen. **Warnung: Bei engen Kurven wird eine Rückzugrate von 1 - 2 cm/Sekunde empfohlen.** Wenn der S-Draht die Spitze der arteriellen Schleuse erreicht, lassen Sie den Schalter los, um den Motor abzuschalten.
20. Schließen Sie die Abdeckung und ziehen Sie das Instrument aus der Fistel bzw. dem Graft. Spülen Sie das Katheterlumen mit heparinierter Kochsalzlösung und entfernen Sie von Hand etwaige Fibrinrückstände vom S-Draht.
21. Aspirieren Sie das zerkleinerte Gerinnsel durch eine der Schleusen und entsorgen Sie das Aspirat. **Vorsicht: Bei andauernder erfolgloser Aspiration können Schleuse und Graft/Fistel kollabieren.**
22. Führen Sie einen geeigneten Katheter durch die arterielle Schleuse und schieben Sie ihn vorsichtig über die arterielle Anastomose des Grafts bzw. der Fistel hinaus vor. Handelt es sich um einen Ballonkatheter, entfalten Sie diesen. Ziehen Sie den arteriellen Thrombus in die Mitte des arteriellen Schenkels. Entleeren Sie den Ballon und entfernen Sie den Ballonkatheter.
23. Führen Sie das CLEANER 15™-Instrument erneut mit geschlossener Abdeckung durch die arterielle Schleuse in den arteriellen Zweig der Fistel bzw. des Grafts ein.
24. Öffnen Sie die Abdeckung des S-Drahts und starten Sie das Gerät, um den arteriellen Thrombus unter Verwendung von Kontrastmittel zu zertrümmern.
25. Schließen Sie die Abdeckung und ziehen Sie das Instrument aus der Fistel bzw. dem Graft. Spülen Sie das Katheterlumen mit heparinierter Kochsalzlösung und entfernen Sie von Hand etwaige Fibrinrückstände vom S-Draht.
26. Aspirieren Sie das zerkleinerte Gerinnsel durch die Schleuse und entsorgen Sie das Aspirat.
27. Injizieren Sie Kontrastmittel, um den Grad der erreichten Thrombusbeseitigung zu beurteilen. Behandeln Sie den eventuell restlichen Thrombus mit CLEANER 15™ je nach Bedarf durch eine der Schleusen.
28. Nach Abschluss der Thrombusbeseitigung behandeln Sie etwaige zugrunde liegende Erkrankungen oder Stenosen gemäß Krankenhausprotokoll.
29. Führen Sie das abschließende Fistulogramm durch.
30. Entnehmen Sie die Schleusen aus der Fistel bzw. dem Graft.
31. Erzielen Sie an der Einstichstelle (bzw. mehreren) gemäß Krankenhausprotokoll Hämostase.

WARNUNG:

Nur für den Einmalgebrauch. Nicht wiederverwenden, wiederaufbereiten oder resterilisieren. Bei einer Wiederverwendung, Wiederaufbereitung oder Resterilisation kann die strukturelle Integrität des Produkts beeinträchtigt werden, was zum Versagen des Produkts und somit zu einer Verletzung, Erkrankung oder zum Tod des Patienten führen kann. Die Wiederverwendung, Wiederaufbereitung oder Resterilisation kann auch ein Kontaminationsrisiko darstellen und/oder zur Infektion des Patienten oder zu einer Kreuzinfektion führen, insbesondere zur Übertragung von Infektionskrankheiten von einem Patienten auf den anderen. Eine Kontamination des Produkts kann zu Verletzungen, Erkrankungen oder zum Tod des Patienten führen.

LAGERUNG:

Bei geregelter Raumtemperatur lagern. Vor organischen Lösungsmitteln, ionisierender und UV-Strahlung schützen.

ENTSORGUNG:

Das Kathetersystem ist im Einklang mit der WEEE-Richtlinie (Verordnung über Elektro- und Elektronik-Altgeräte) und gemäß den Standardverfahren des Instituts für medizinische Abfälle einschließlich Einmalprodukte mit Blutkontakt zu entsorgen.

GARANTIEERKLÄRUNG UND BESCHRÄNKUNG DER RECHTSMITTEL:

Für die in dieser Veröffentlichung beschriebenen Produkte von Argon Medical besteht keine ausdrückliche oder stillschweigende Garantie, einschließlich einer stillschweigenden Gewährleistung der Handelsüblichkeit oder der Eignung für einen bestimmten Zweck. Unter keinen Umständen ist Argon Medical haftbar für etwaige direkte, Neben- oder Folgeschäden außer in dem Maße, wie es ausdrücklich durch die einschlägigen Gesetze vorgegeben ist. Keine Person hat die Autorität, Argon Medical an jegliche Darstellung oder Gewährleistung außer den ausdrücklich hier angegebenen zu binden.

Beschreibungen oder Angaben in Druckmaterial von Argon Medical, einschließlich dieser Veröffentlichung, dienen ausschließlich dem Zweck einer allgemeinen Beschreibung des Produkts zum Zeitpunkt der Herstellung und stellen keinerlei ausdrückliche Gewährleistung dar.

Argon Medical ist nicht verantwortlich für etwaige direkte, Neben- oder Folgeschäden durch die Wiederverwendung des Produkts.



MEDICAL — GENERAL MEDICAL EQUIPMENT
AS TO ELECTRICAL SHOCK, FIRE AND MECHANICAL HAZARDS ONLY
IN ACCORDANCE WITH IEC60601-1 3rd Ed. & CAN/CSA-C22.2
NO. 60601.1 (2008), AAMI ES 60601-1:2008
4CR3



Das Symbolglossar ist elektronisch verfügbar unter www.argonmedical.com/symbols



EMERGO EUROPE
Westervoortsedijk 60
6827 AT Arnhem
The Netherlands
+31 70 345 8570



ARGON MEDICAL DEVICES, INC.
1445 Flat Creek Road
Athens, Texas 75751 USA
Tel: +1 (903) 675 9321
Tel: +1 (800) 927 4669
www.argonmedical.com



Emergo Consulting (UK) Limited
c/o Cr 360 - UL International
Compass House, Vision Park Histon
Cambridge CB24 9BZ
United Kingdom

CLEANER 15™

Rotational Thrombectomy System

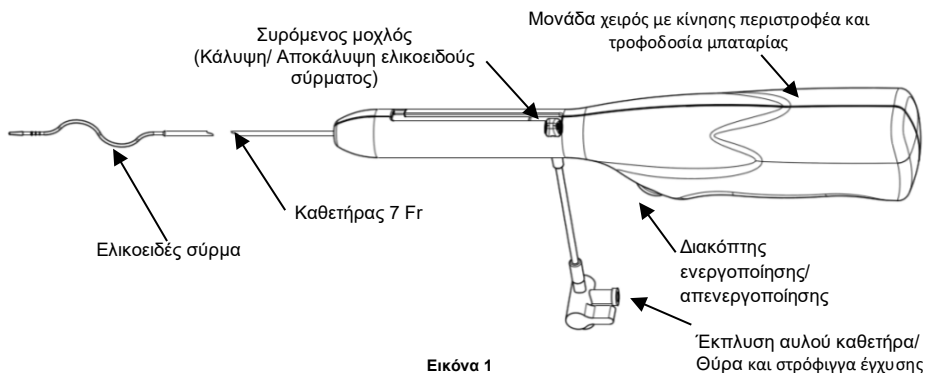
Greek - Όλες οι οδηγίες θα πρέπει να διαβαστούν πριν τη χρήση

σελίδες

Οδηγίες χρήσης στο περιφερικό αγγειακό σύστημα	1-4
Οδηγίες χρήσης σε μωσχέματα και συρίγγια	5-7

ΠΕΡΙΓΡΑΦΗ ΣΥΣΚΕΥΗΣ:

Το Σύστημα περιστροφικής θρομβεκτομής CLEANER 15™ είναι ένα σύστημα που βασίζεται σε διαδερμικό καθετήρα 7Fr (δομή ενός μόνο τεμαχίου). Μια αναλώσιμη μονάδα χειρός με κίνησης περιστροφή και τροφοδοσία μπαταρίας είναι προσαρτημένη σε ελικοειδές σύρμα που περιστρέφεται στις 4.000 ΣΑΛ περίπου. Το σύρμα και το ατραυματικό μαλακό άκρο είναι ακτινοσκοπικά οπτικοποιήσιμα.



ΕΝΔΕΙΞΕΙΣ ΧΡΗΣΗΣ:

Το Σύστημα περιστροφικής θρομβεκτομής CLEANER 15™ ενδείκνυται για μηχανική αφαίρεση των θρόμβων και ελεγχόμενη και επιλεκτική έγχυση υγρών που καθορίζονται από το γιατρό, μεταξύ των οποίων θρομβολυτικά, στο περιφερικό αγγειακό σύστημα.

ΑΝΤΕΝΔΕΙΞΕΙΣ:

Το Σύστημα περιστροφικής θρομβεκτομής CLEANER 15™ αντενδείκνυται στις παρακάτω περιπτώσεις:

- Το σύστημα αυτό αντενδείκνυται όταν, κατά την κρίση του γιατρού, μια τέτοιου είδους διαδικασία μπορεί να διακυβεύσει την κατάσταση του ασθενή.
- Δεν έχει σχεδιαστεί για σκοπούς διαστολής του περιφερικού αγγειακού συστήματος.
- Το σύστημα αυτό δεν προορίζεται για την έγχυση αίματος ή προϊόντων αίματος.
- Ανατρέξτε στο ένθετο του προϊόντος της επιλεγμένης θεραπευτικής λύσης για ενδείξεις, αντενδείξεις, παρενέργειες και προφυλάξεις.
- Σε εγγενή αγγεία μικρότερης διαμέτρου των 6 mm
- Σε ασθενείς χωρίς αγγειακό φίλτρο, όπως είναι το φίλτρο της κάτω κοίλης φλέβας.

Περιφερικό αγγειακό σύστημα

ΠΡΟΕΙΔΟΠΟΙΗΣΕΙΣ ΚΑΙ ΠΡΟΦΥΛΑΞΕΙΣ:

- Πριν τη χρήση, διαβάστε όλες τις προειδοποιήσεις, τις προφυλάξεις και τις οδηγίες του ένθετου. Αν δεν γίνει αυτό μπορεί να προκληθεί σοβαρός τραυματισμός του ασθενή και θάνατος.
- Οι διαδικασίες αυτές θα πρέπει να εκτελούνται μόνο από γιατρούς και προσωπικό εξοικειωμένο με τον εμπλεκόμενο εξοπλισμό και τις τεχνικές. Η συσκευή έχει αποστειρωθεί με ΕΙΟ και είναι στείρα εκτός αν η συσκευασία έχει ανοιχτεί ή υποστεί ζημιά. Η συσκευασία θα πρέπει να εξετάζεται πριν τη χρήση. Αν έχει υποστεί ζημιά, ΜΗΝ ΤΗΝ ΧΡΗΣΙΜΟΠΟΙΗΣΕΤΕ. Η συσκευή αυτή προορίζεται για χρήση σε έναν μόνο ασθενή. ΜΗΝ ΕΠΑΝΑΧΡΗΣΙΜΟΠΟΙΕΙΤΕ ΚΑΙ ΜΗΝ ΕΠΑΓΟΣΤΕΙΡΩΝΕΤΕ.
- Πριν τη χρήση, εξετάστε προσεκτικά το Σύστημα περιστροφικής θρομβεκτομής CLEANER 15™, για να επαληθεύσετε ότι δεν έχει υποστεί ζημιά κατά την αποστολή. Αν τα εξαρτήματα του προϊόντος εμφανίζουν οποιοδήποτε σημάδι ζημιάς, ΜΗΝ ΤΟ ΧΡΗΣΙΜΟΠΟΙΗΣΕΤΕ.
- Λόγω του κινδύνου έκθεσης στον HIV (ιός της ανθρώπινης ανοσοανεπάρκειας) ή σε άλλα παθογόνα μεταφερόμενα δια του αίματος, το ιατρικό και το νοσηλευτικό προσωπικό πρέπει πάντα να τηρεί τις γενικές προφυλάξεις σχετικά με το χειρισμό του αίματος και των σωματικών υγρών κατά τη διάρκεια της νοσηλείας όλων των ασθενών. Πρέπει να τηρείται αυστηρά η σειρά τεχνική στη διάρκεια οποιουδήποτε χειρισμού της συσκευής.
- Μη προωθείτε τη συσκευή αν αντιμετωπίσετε αντίσταση χωρίς να προσδιορίσετε πρώτα την αιτία της αντίστασης υπό ακτινοσκόπηση και χωρίς να λάβετε κάθε απαραίτητο επανορθωτικό μέτρο. Η υπερβολική άσκηση δύναμης έναντι της αντίστασης μπορεί να οδηγήσει σε βλάβη της συσκευής ή του αγγειακού συστήματος.
- Πριν την εισαγωγή, και κάθε φορά που το CLEANER 15™ αφαιρείται από το αγγειακό σύστημα, ο καθετήρας θα πρέπει να εκπλένεται.
- Αν ο καθετήρας ή το οδηγό σύρμα συστραφεί ή υποστεί άλλη βλάβη κατά τη χρήση, διακόψτε τη χρήση και αντικαταστήστε τα.
- Οι γιατροί πρέπει να γνωρίζουν τις πιθανές επιπλοκές που σχετίζονται με τη θρομβόλυση του περιφερικού αγγειακού συστήματος, όπως είναι οι εξής:
 - Διάρτηρη ή ρήξη αγγείου
 - Αγγειακός σπασμός
 - Αιμάτωμα
 - Σηψαιμία/λοιμωξη
 - Ρήξη ενδοθελίου
 - Αγγειακή θρόμβωση
 - Αλλεργική αντίδραση στο σκιαγραφικό μέσο
 - Θρομβοεμβολικά επεισόδια
 - Περιφερική εμβολή θρόμβων αίματος
 - Αιμορραγία
 - Άλγος και ευαισθησία
 - Θρομβοφλεβίτιδα
 - Αρτηριακή διατομή
 - Φαρμακευτικές αντιδράσεις
 - Αρτηριοφλεβικό συρίγγιο
 - Ακρωτηριασμός
- Πιθανή αστοχία λόγω κόπωσης του ελικοειδούς σύρματος του CLEANER 15™ ενδέχεται να προκύψει με παρατεταμένη ενεργοποίηση της συσκευής CLEANER 15™. Συνιστάται ρυθμός απόσυρσης 1-2 cm/δευτερόλεπτο όταν αντιμετωπίζονται οξείες ακτίνες (ήτοι, ακτίνια ενός βρόχου μοσχεύματος ή συρίγγιο, ακτίνες <3 cm).

ΠΡΟΤΕΙΝΟΜΕΝΗ ΔΙΑΔΙΚΑΣΙΑ:

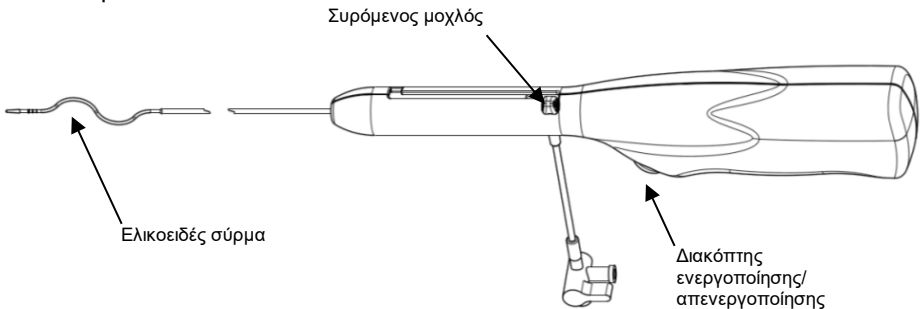
Χρησιμοποιείτε στείρα τεχνική.

Προετοιμασία ασθενή:

1. Χορηγήστε εκ των προτέρων κατάλληλα αγχολυτικά, αναλγητικά ή/και αντιβιοτικά σύμφωνα με το νοσοκομειακό πρωτόκολλο.

Δοκιμασία απόδοσης της συσκευής:

2. Αφαιρέστε από τη συσκευασία το Σύστημα περιστροφικής θρομβεκτομής CLEANER 15™. Πατήστε το διακόπτη ενεργοποίησης/απενεργοποίησης (ON/OFF) για να διασφαλιστεί ότι το ελικοειδές σύρμα περιστρέφεται ελεύθερα (ανατρέξτε στην Εικόνα 2). Αφήστε το διακόπτη για να σταματήσει ο περιστροφάς. **Προφύλαξη: Μη χρησιμοποιήσετε τη συσκευή, αν δεν ενεργοποιηθεί αμέσως όταν πατήσετε το διακόπτη και δεν απενεργοποιηθεί αμέσως όταν απελευθερώσετε το διακόπτη.**



Εικόνα 2

Περιφερικό αγγειακό σύστημα

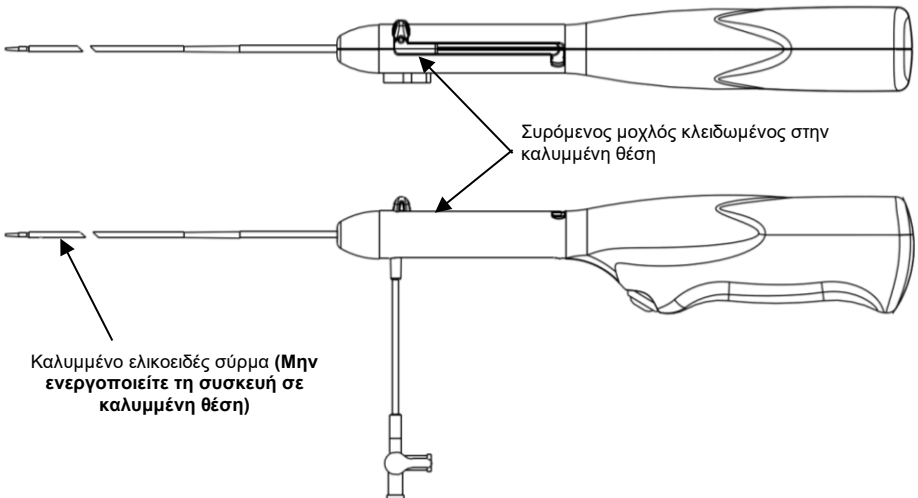
3. Προσαρτήστε μια σύριγγα θεραπευτικού παράγοντα ή ηπαρινισμένο αλατούχου διαλύματος στη θύρα έκπλυσης καθετήρα και εκπλύνετε τον καθετήρα CLEANER 15™. Βεβαιωθείτε ότι το υγρό βγαίνει από την πιο περιφερική οπή του καθετήρα που βρίσκεται κοντά στο άκρο του καθετήρα. Κλείστε την στρόφιγγα για να «κλειδώσετε» τον θεραπευτικό παράγοντα ή την ηπαρίνη στον καθετήρα και απομακρύνετε τη σύριγγα.

Θεραπεία:

Η ακριβής διαδικασία θεραπείας πρέπει να καθοριστεί από το γιατρό. Η παρακάτω επιλογή περιγράφει τον τρόπο που μπορεί να εκτελεστεί η διαδικασία.

4. Ολοκληρώστε τη διαδικασία υπό συνεχή ακτινοσκόπηση. Μην ξεκινήσετε την περιστροφή του ελικοειδούς σύρματος (ενεργοποίηση συσκευής), αν δεν επιβεβαιωθεί η σωστή τοποθέτηση της συσκευής μέσα στο περιφερικό αγγειακό σύστημα.
5. Προετοιμάστε και καλύψτε με οθόνιο τη θέση παρακέντησης, κατά το δέον.
6. Χορηγήστε τοπικό αναισθητικό στη θέση παρακέντησης για εισαγωγή φλεβικού θηκαρίου.
7. Επιλέξτε θηκάρι με κατάλληλο μέγεθος ώστε να ταιριάζει με τον καθετήρα CLEANER 15™ και άλλες συσκευές/ καθετήρες που μπορεί να χρησιμοποιηθούν κατά τη διαδικασία. Το μέγιστο μέγεθος του οδηγού σύρματος θα εξαρτάται από την επιλεγμένη διάταξη θηκαρίου εισαγωγεία/διαστολέα. Αν πρόκειται να διαπεράσετε το διχασμό της λαγονίου, θα πρέπει να χρησιμοποιηθεί ένα μακρύ, ενισχυμένο θηκάρι.
8. Προετοιμάστε και τοποθετήστε το θηκάρι του φλεβικού εισαγωγεία σύμφωνα με το νοσοκομειακό πρωτόκολλο. Το φλεβικό θηκάρι θα πρέπει να τοποθετείται στο φλεβικό σκέλος του περιφερικού αγγειακού συστήματος και να κατευθύνεται προς τη θέση θεραπείας. Η τοποθέτηση του φλεβικού θηκαρίου μπορεί να είναι προαιρετική ανάλογα με το θρομβικό φορτίο του αγγείου.
9. Τοποθετήστε τη συσκευή στην καλυμμένη θέση σπρώχνοντας το συρόμενο μοχλό προς την περιφερική θέση και περιστρέφοντας το συρόμενο μοχλό ώστε να κλειδώσει στην καλυμμένη θέση (ανατρέξτε στην Εικόνα 3). Όταν βρίσκεται στην καλυμμένη θέση, μόνο το εύκαμπτο άκρο του ελικοειδούς σύρματος θα πρέπει να εκτείνεται από τον καθετήρα. **Προειδοποίηση: Η συσκευή δεν θα πρέπει να ενεργοποιείται στην καλυμμένη θέση.**
10. Σηρίξτε το εύκαμπτο άκρο ανάμεσα στον αντίχειρα και το δείκτη κατά την εισαγωγή διαμέσου της βαλβίδας του θηκαρίου. Εισαγάγετε την καλυμμένη συσκευή μέσω του φλεβικού θηκαρίου και μέσα στο φλεβικό σκέλος του περιφερικού αγγειακού συστήματος.
11. Προσαρτήστε στην στρόφιγγα μια σύριγγα 10 cc, η οποία περιέχει το θεραπευτικό παράγοντα που προορίζεται για έγχυση. Ανοίξτε την στρόφιγγα για να επιτρέψετε τη ροή. **Προειδοποίηση: Μην αντλήσετε αίμα πίσω στον καθετήρα.**

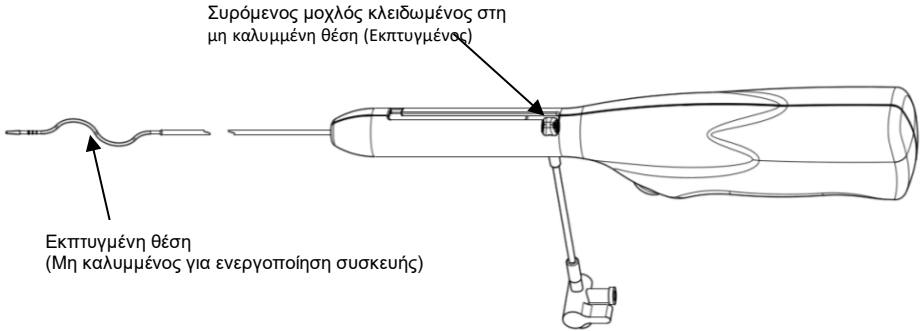
Σημείωση: Ακολουθήστε τις οδηγίες του κατασκευαστή αναφορικά με την ανασύσταση και αραίωση των καθορισμένων υγρών.



Εικόνα 3

12. Προωθήστε το εύκαμπτο άκρο έως την πιο περιφερική άκρη του θρόμβου. Αποκαλύψτε το ελικοειδές σύρμα ξεκλειδώνοντας, αποσύροντας πλήρως το συρόμενο μοχλό και περιστρέφοντας το συρόμενο μοχλό μέχρι να ακουστεί ένα «κλικ» (ανατρέξτε στην Εικόνα 4). Επιβεβαιώστε την τοποθέτηση της συσκευής εντός της θέσης θεραπείας μέσω ακτινοσκόπησης. Πατήστε το διακόπτη ενεργοποίησης/απενεργοποίησης (ON/OFF) για να ενεργοποιήσετε την περιστροφή.

Περιφερικό αγγειακό σύστημα



Εικόνα 4

13. Με τη συσκευή ενεργοποιημένη, αποσύρете αργά το περιστρεφόμενο ελικοειδές σύρμα κατά μήκος της θέσης θεραπείας, ενώ εγχέετε θεραπευτικό παράγοντα μέσω της θύρας έγχυσης για να διαλύσετε το θρόμβο. **Προειδοποίηση: Συνιστάται ρυθμός απόσυρσης 1-2 cm/δευτερόλεπτο όταν αντιμετωπίζονται οξείες ακτίνες.** Όταν το ελικοειδές σύρμα φθάσει στο άκρο του φλεβικού θηκαρίου, αφήστε το διακόπτη για να απενεργοποιηθεί το περιστρεφόμενο σύρμα διασποράς.
14. Καλύψτε τη συσκευή και αφαιρέστε την από το περιφερικό αγγειακό σύστημα. Εκπλύνετε τον αυλό του καθετήρα με ηπαρινισμένο αλατούχο διάλυμα και αφαιρέστε διά χειρός τυχόν συσσωρευμένο ινώδες από το ελικοειδές σύρμα.
15. Αναρροφήστε τον εμποτισμένο θρόμβο μέσω του θηκαρίου και απορρίψτε το αναρρόφημα. **Προφύλαξη: Η συνεχής ανεπιτυχής αναρρόφηση μπορεί να προκαλέσει κατάρρευση του θηκαρίου και του αγγείου.**
16. Εγχύστε μια μικρή ποσότητα σκιαγραφικού μέσω του φλεβικού θηκαρίου για να αξιολογήσετε το βαθμό αφαίρεσης του θρόμβου που έχει επιτευχθεί. **Προειδοποίηση: Αποφύγετε την υπερέγχυση σκιαγραφικού για να ελαχιστοποιηθεί ο κίνδυνος εμβολής. Χορηγήστε θεραπεία στον υπολειπόμενο θρόμβο επαναλαμβάνοντας τα βήματα 11-15, μέχρι να επιτευχθεί αποδεκτή αφαίρεση του θρόμβου.**
17. Όταν ολοκληρωθεί η αφαίρεση του θρόμβου, χορηγήστε θεραπεία σε τυχόν υποκείμενη νόσο ή στένωση, σύμφωνα με το νοσοκομειακό πρωτόκολλο.
18. Διεξάγετε την τελική αγγειογραφία.
19. Αφαιρέστε τα θηκάρια από το περιφερικό αγγειακό σύστημα.
20. Επιτύχετε αιμόσταση στο ένα ή περισσότερα σημεία παρακέντησης σύμφωνα με το νοσοκομειακό πρωτόκολλο.

Μοσχεύματα και συρίγγια

ΕΝΔΕΙΞΙΣ ΧΡΗΣΗΣ:

Το Σύστημα περιστροφικής θρομβεκτομής CLEANER 15™ ενδείκνυται για μηχανική αφαίρεση θρόμβων των συριγγίων που προκύπτουν λόγω αιμοκάθαρσης σε εγγενή αγγεία και των συνθετικών μοσχευμάτων πρόσβασης για αιμοκάθαρση.

ΑΝΤΕΝΔΕΙΞΙΣ:

Το Σύστημα περιστροφικής θρομβεκτομής CLEANER 15™ αντενδείκνυται στις παρακάτω περιπτώσεις:

- Όταν, κατά την κρίση του γιατρού, μια τέτοιου είδους διαδικασία μπορεί να διακυβεύσει την κατάσταση του ασθενή.
- Σε εγγενή αγγεία μικρότερης διαμέτρου των 6 mm
- Υπάρχουσα λοίμωξη στη θέση πρόσβασης για αιμοκάθαρση.
- Ανώριμα συρίγγια που προκύπτουν λόγω αιμοκάθαρσης σε εγγενή αγγεία (συρίγγια που δεν έχουν χρησιμοποιηθεί για τουλάχιστον μία θεραπευτική αιμοκάθαρση).

ΠΡΟΕΙΔΟΠΟΙΗΣΙΣ ΚΑΙ ΠΡΟΦΥΛΑΞΙΣ:

- Πριν τη χρήση, διαβάστε όλες τις προειδοποιήσεις, προφυλάξεις και οδηγίες του ένθετου. Αν δεν γίνει αυτό μπορεί να προκληθεί σοβαρός τραυματισμός του ασθενή και θάνατος.
- Οι διαδικασίες αυτές θα πρέπει να εκτελούνται μόνο από γιατρούς και προσωπικό εξοικειωμένο με τον εμπλεκόμενο εξοπλισμό και τις τεχνικές. Η συσκευή έχει αποστειρωθεί με ΕΙΟ και είναι στείρα εκτός αν η συσκευασία έχει ανοιχτεί ή υποστεί ζημιά. Η συσκευασία θα πρέπει να εξετάζεται πριν τη χρήση. Αν έχει υποστεί ζημιά, ΜΗΝ ΤΗΝ ΧΡΗΣΙΜΟΠΟΙΗΣΕΤΕ. Η συσκευή αυτή προορίζεται για χρήση σε έναν μόνο ασθενή. ΜΗΝ ΕΠΑΝΑΧΡΗΣΙΜΟΠΟΙΕΙΤΕ ΚΑΙ ΜΗΝ ΕΠΑΓΟΣΤΕΙΡΩΝΕΤΕ.
- Πριν τη χρήση, εξετάστε προσεκτικά το Σύστημα περιστροφικής θρομβεκτομής CLEANER 15™, για να επαληθεύσετε ότι δεν έχει υποστεί ζημιά κατά την αποστολή. Αν τα εξαρτήματα του προϊόντος εμφανίζουν οποιοδήποτε σημάδι ζημιάς, ΜΗΝ ΤΟ ΧΡΗΣΙΜΟΠΟΙΗΣΕΤΕ.
- Λόγω του κινδύνου έκθεσης στον HIV (ιός της ανθρώπινης ανοσοανεπάρκειας) ή σε άλλα παθογόνα μεταφερόμενα δια του αίματος, το ιατρικό και το νοσηλευτικό προσωπικό πρέπει πάντα να τηρεί τις γενικές προφυλάξεις σχετικά με το χειρισμό του αίματος και των σωματικών υγρών κατά τη διάρκεια της νοσηλείας όλων των ασθενών. Πρέπει να τηρείται αυστηρά η σειρά τεχνική στη διάρκεια οποιουδήποτε χειρισμού της συσκευής.
- Οι γιατροί πρέπει να γνωρίζουν τις πιθανές επιπλοκές που σχετίζονται με τα συρίγγια αιμοκάθαρσης και τη θρομβόλυση μοσχευμάτων, όπως είναι οι εξής:
 - Αιμορραγία
 - Συμπτωματική πνευμονική εμβολή
 - Αρτηριακή εμβολή
 - Αλλεργική αντίδραση στο σκιαγραφικό μέσο
 - Ψευδοανεύρυσμα
 - Πόνος ή/και ευαισθησία
 - Σχίσσιμο ή ρήξη του αγγείου
 - Μόλυνση
 - Διάτρηση της αρτηρίας ή της φλέβας
 - Αιμάτωμα
 - Θάνατος
- Θα πρέπει να επιδεικνύεται προσοχή κατά την απόσπαση του βύσματος στην αρτηριακή αναστόμωση ώστε να ελαχιστοποιείται ο κίνδυνος αρτηριακής εμβολής.
- Λόγω της έλλειψης απέκκρισης που σχετίζεται με αιμοκαθαρόμενους ασθενείς, η χρήση σκιαγραφικού θα πρέπει να είναι η ελάχιστη δυνατή καθ' όλη τη διάρκεια της διαδικασίας αυτής.
- Πιθανή αστοχία λόγω κόπωσης του ελικοειδούς σύρματος του CLEANER 15™ ενδέχεται να προκύψει με παρατεταμένη ενεργοποίηση της συσκευής CLEANER 15™. Συνιστάται ρυθμός απόσυρσης 1-2 cm/δευτερόλεπτο όταν αντιμετωπίζονται οξείες ακτίνες (ήτοι, ακτίνια ενός βρόχου μοσχεύματος ή συρίγγιου, ακτίνες <3 cm).

ΠΡΟΤΕΙΝΟΜΕΝΗ ΔΙΑΔΙΚΑΣΙΑ:

Χρησιμοποιείτε στείρα τεχνικά.

Προετοιμασία ασθενή:

1. Χορηγήστε εκ των προτέρων κατάλληλα αγχολυτικά, αναλγητικά ή/και αντιβιοτικά, σύμφωνα με το νοσοκομειακό πρωτόκολλο.

Δοκιμασία απόδοσης της συσκευής:

2. Αφαιρέστε από τη συσκευασία το Σύστημα περιστροφικής θρομβεκτομής CLEANER 15™. Πατήστε το διακόπτη ενεργοποίησης/απενεργοποίησης (ON/OFF) για να διασφαλιστεί ότι το ελικοειδές σύρμα περιστρέφεται ελεύθερα (ανατρέξτε στην Εικόνα 2). Αφήστε το διακόπτη για να σταματήσει ο περιστροφάς. **Προφύλαξη: Μην χρησιμοποιήσετε τη συσκευή, αν δεν ενεργοποιηθεί αμέσως όταν πατήσετε το διακόπτη και δεν απενεργοποιηθεί αμέσως όταν απελευθερώσετε το διακόπτη.**
3. Εκπλύνετε τον καθετήρα CLEANER 15™ με ηπαρισμένο αλατούχο διάλυμα, μέσω της θύρας έκπλυσης του αυλού του καθετήρα. Επιστρέψτε την στρόφιγγα στη θέση απενεργοποίησης πριν την επέμβαση.

Διαδικασία θρομβόλυσης:

4. Ολοκληρώστε τη διαδικασία θρομβόλυσης CLEANER 15™ υπό συνεχή ακτινοσκόπηση. Μην ξεκινήσετε την περιστροφή του ελικοειδούς σύρματος (ενεργοποίηση συσκευής), αν δεν επιβεβαιωθεί η σωστή τοποθέτηση της συσκευής μέσα στο συρίγγιο ή το μόσχευμα.
5. Προετοιμάστε και καλύψτε με οθόνη τη θέση παρακέντησης, κατά το δέον.

Μοσχεύματα και συρίγγια

- Χορηγήστε τοπικό αναισθητικό στη θέση παρακέντησης για εισαγωγή φλεβικού θηκariού.
- Επιλέξτε θηκάρι με κατάλληλο μέγεθος ώστε να ταιριάζει με τον καθετήρα CLEANER 15™ και άλλες συσκευές/καθετήρες που μπορεί να χρησιμοποιηθούν κατά τη διαδικασία. Το μέγιστο μέγεθος του οδηγού σύρματος θα εξαρτάται από την επιλεγμένη διάταξη θηκariού εισαγωγής/διαστολής.
- Προετοιμάστε και τοποθετήστε το θηκάρι του φλεβικού εισαγωγέα σύμφωνα με το νοσοκομειακό πρωτόκολλο. Το φλεβικό θηκάρι θα πρέπει να τοποθετείται στο φλεβικό σκέλος του μοσχεύματος και να κατευθύνεται προς τη φλεβική αναστόμωση. Στα συρίγγια, η τοποθέτηση του φλεβικού θηκariού μπορεί να είναι προαιρετική ανάλογα με το βρομικό φορτίο του αγγείου. Αν χρησιμοποιηθεί φλεβικό θηκάρι, θα πρέπει να τοποθετηθεί στο φλεβικό σκέλος του συρίγγιου και να κατευθυνθεί προς την κεντρική φλεβική ροή εξόδου. Σημείωση: Αν δεν χρησιμοποιηθεί φλεβικό θηκάρι στο αρτηριοφλεβικό συρίγγιο, τότε μεταβείτε στο βήμα 16.
- Τοποθετήστε τη συσκευή στην καλυμμένη θέση απλώνοντας το συρόμενο μοχλό προς την περιφερική θέση και περιστρέφοντας το συρόμενο μοχλό, ώστε να εückαμπτο άκρο του ελικοειδούς σύρματος να καλυμμένη θέση (ανατρέξτε στην Εικόνα 3). Όταν βρίσκεται στην καλυμμένη θέση, μόνο το εückαμπτο άκρο του ελικοειδούς σύρματος θα πρέπει να εκτείνεται από τον καθετήρα. Η συσκευή δεν θα πρέπει να ενεργοποιείται στην καλυμμένη θέση.
- Στηρίξτε το εückαμπτο άκρο ανάμεσα στον αντίχειρα και το δείκτη κατά την εισαγωγή διαμέσου της βαλβίδας του θηκariού. Εισαγάγετε την καλυμμένη συσκευή μέσω του φλεβικού θηκariού και μέσα στο φλεβικό σκέλος του συρίγγιου ή του μοσχεύματος.
- Σε ένα μόσχευμα, προωθήστε το εückαμπτο άκρο έως τη φλεβική αναστόμωση. **Προειδοποίηση: Μη το προωθείτε πέραν της αναστόμωσης. Σε ένα συρίγγιο, προωθήστε το εückαμπτο άκρο έως την κεντρικότερη άκρη του θρόμβου. Αποκαλύψτε το ελικοειδές σύρμα ξεκλειδώνοντας, αποσύροντας πλήρως το συρόμενο μοχλό και περιστρέφοντας το συρόμενο μοχλό μέχρι να ακουστεί ένα «κλικ» (ανατρέξτε στην Εικόνα 4).** Επιβεβαιώστε την τοποθέτηση της συσκευής εντός του συρίγγιου ή του μοσχεύματος μέσω ακτινοσκόπησης. Πατήστε το διακόπτη ενεργοποίησης/απενεργοποίησης (ON/OFF) για να ενεργοποιήσετε την περιστροφή.

Σημείωση: Απαιτείται προσοχή κατά την αποκάλυψη του σύρματος, ώστε να αποφευχθεί η προώθηση του σύρματος μέσα στο θρόμβο και πέραν της αναστόμωσης.

- Με τη συσκευή ενεργοποιημένη, αποσύρετε αργά το περιστρεφόμενο ελικοειδές σύρμα κατά μήκος του συρίγγιου ή του μοσχεύματος για να διαλύσετε το θρόμβο. **Προειδοποίηση: Συνιστάται ρυθμός απόσυσης 1-2 cm/δευτερόλεπτο όταν αντιμετωπίζονται οξείες ακτίνες.** Όταν το ελικοειδές σύρμα φθάσει στο άκρο του φλεβικού θηκariού, αφήστε το διακόπτη για να απενεργοποιηθεί ο περιστροφάς.
- Καλύψτε τη συσκευή και αφαιρέστε την από το μόσχευμα ή το συρίγγιο. Εκπλύνετε τον αυλό του καθετήρα με ηπαιρισμένο αλατούχο διάλυμα και αφαιρέστε διά χειρός τυχόν συσσωρευμένο ινώδες από το ελικοειδές σύρμα.
- Αναρροφήστε τον εμποτισμένο θρόμβο μέσω του θηκariού και απορρίψτε το αναρρόφηση. **Προφύλαξη: Η συνεχής ανεπιτυχής αναρρόφηση μπορεί να προκαλέσει κατάρρευση του θηκariού και του συρίγγιου/μοσχεύματος.**
- Εγχύστε μια μικρή ποσότητα σκιαγραφικού μέσω του φλεβικού θηκariού για να αξιολογήσετε το βαθμό αφαίρεσης του θρόμβου που έχει επιτευχθεί. **Προειδοποίηση: Αποφύγετε την υπερέγχιση σκιαγραφικού για ελαχιστοποίηση του κινδύνου αρτηριακού εμβολισμού.** Χορηγήστε θεραπεία στον υπολειπόμενο θρόμβο επαναλαμβάνοντας τα βήματα 11-14, μέχρι να επιτευχθεί αποδεκτή αφαίρεση του θρόμβου.
- Χορηγήστε τοπικό αναισθητικό στη θέση παρακέντησης για εισαγωγή αρτηριακού θηκariού. Προετοιμάστε και τοποθετήστε το θηκάρι του αρτηριακού εισαγωγέα σύμφωνα με το νοσοκομειακό πρωτόκολλο. Το αρτηριακό θηκάρι θα πρέπει να κατευθύνεται προς την αρτηριακή αναστόμωση. **Προφύλαξη: Τα άκρα του αρτηριακού και του φλεβικού θηκariού δεν πρέπει να αλληλοκαλύπτονται.**
- Στηρίξτε το εückαμπτο άκρο ανάμεσα στον αντίχειρα και το δείκτη κατά την εισαγωγή διαμέσου της βαλβίδας του θηκariού. Εισαγάγετε την καλυμμένη συσκευή μέσω του αρτηριακού θηκariού και μέσα στο αρτηριακό σκέλος του συρίγγιου ή του μοσχεύματος.
- Σε ένα μόσχευμα, προωθήστε το εückαμπτο άκρο έως την αρτηριακή αναστόμωση. **Προειδοποίηση: Μη το προωθείτε πέραν της αναστόμωσης. Σε ένα συρίγγιο, προωθήστε το εückαμπτο άκρο έως την κεντρικότερη άκρη του θρόμβου. Αποκαλύψτε το ελικοειδές σύρμα ξεκλειδώνοντας, αποσύροντας πλήρως το συρόμενο μοχλό και περιστρέφοντας το συρόμενο μοχλό μέχρι να ακουστεί ένα «κλικ».** Επιβεβαιώστε την τοποθέτηση της συσκευής εντός του συρίγγιου ή του μοσχεύματος μέσω ακτινοσκόπησης. Πατήστε το διακόπτη ενεργοποίησης/απενεργοποίησης (ON/OFF) για να ενεργοποιήσετε την περιστροφή.
- Με τη συσκευή ενεργοποιημένη, αποσύρετε αργά το περιστρεφόμενο ελικοειδές σύρμα, στη μη καλυμμένη θέση, κατά μήκος του συρίγγιου ή του μοσχεύματος για να διαλύσετε το θρόμβο. **Προειδοποίηση: Συνιστάται ρυθμός απόσυσης 1-2 cm/δευτερόλεπτο όταν αντιμετωπίζονται οξείες ακτίνες.** Όταν το ελικοειδές σύρμα φθάσει στο άκρο του αρτηριακού θηκariού, αφήστε το διακόπτη για να απενεργοποιηθεί ο περιστροφάς.
- Καλύψτε τη συσκευή και αφαιρέστε την από το μόσχευμα ή το συρίγγιο. Εκπλύνετε τον αυλό του καθετήρα με ηπαιρισμένο αλατούχο διάλυμα και αφαιρέστε διά χειρός τυχόν συσσωρευμένο ινώδες από το ελικοειδές σύρμα.
- Αναρροφήστε τον εμποτισμένο θρόμβο μέσω οποιουδήποτε εκ των θηκariών και απορρίψτε το αναρρόφηση. **Προφύλαξη: Η συνεχής ανεπιτυχής αναρρόφηση μπορεί να προκαλέσει κατάρρευση του θηκariού και του συρίγγιου/μοσχεύματος.**
- Πέρασ ένα κατάλληλο καθετήρα μέσω του αρτηριακού θηκariού, και προωθήστε το προσεκτικά πέραν της αρτηριακής αναστόμωσης του συρίγγιου ή μοσχεύματος. Διογκώστε το μπαλόνι, αν πρόκειται για καθετήρα με μπαλόνι. Τραβήξτε το αρτηριακό βύσμα στο μέσον του αρτηριακού σκέλους. Ξεφουσκώστε το μπαλόνι και αφαιρέστε τον καθετήρα με μπαλόνι.
- Επανεισαγάγετε την καλυμμένη συσκευή CLEANER 15™ μέσω του αρτηριακού θηκariού και μέσα στο αρτηριακό σκέλος του συρίγγιου ή μοσχεύματος.
- Αποκαλύψτε το ελικοειδές σύρμα και ενεργοποιήστε τη συσκευή για να διαλύσετε το αρτηριακό βύσμα, χρησιμοποιώντας σκιαγραφικό για να καθοδηγήτε τον εμποτισμό.

Μοσχεύματα και συρίγγια

25. Καλύψτε τη συσκευή και αφαιρέστε την από το μόσχευμα ή το συρίγγιο. Εκπλύνετε τον αυλό του καθετήρα με ηπαρινισμένο αλατούχο διάλυμα και αφαιρέστε διά χειρός τυχόν συσσωρευμένο ινώδες από το ελικοειδές σύρμα.
26. Αναρροφήστε τον εμποτισμένο θρόμβο μέσω του θηκαριού και απορρίψτε το αναρρόφημα.
27. Εγχύστε σκιαγραφικό για να αξιολογήσετε το βαθμό αφαίρεσης του θρόμβου. Χορηγήστε θεραπεία σε τυχόν υπολειπόμενο θρόμβο χρησιμοποιώντας το CLEANER 15™ μέσω οποιουδήποτε εκ των θηκαριών, κατά το δέον.
28. Όταν ολοκληρωθεί η αφαίρεση του θρόμβου, χορηγήστε θεραπεία σε τυχόν υποκείμενη νόσο ή στένωση, σύμφωνα με το νοσοκομειακό πρωτόκολλο.
29. Διεξάγετε την τελική συριγγογραφία.
30. Αφαιρέστε τα θηκάρια από το συρίγγιο ή το μόσχευμα.
31. Επτύχετε την αιμόσταση στο ένα ή περισσότερα σημεία παρακέντησης σύμφωνα με το νοσοκομειακό πρωτόκολλο.

ΠΡΟΕΙΔΟΠΟΙΗΣΗ:

Για μία μόνο χρήση. Μην επαναχρησιμοποιείτε, μην υποβάλλετε σε εκ νέου επεξεργασία και μην επαναποστειρώνετε. Η επαναχρησιμοποίηση, η επανεπεξεργασία ή η επαναποστείρωση ενδέχεται να διακυβεύσει τη δομική ακεραιότητα της συσκευής ή/και να οδηγήσει σε αστοχία της, γεγονός που, με τη σειρά του, ενδέχεται να προκαλέσει τραυματισμό, ασθένεια ή θάνατο του ασθενή. Επίσης, η επαναχρησιμοποίηση, η επανεπεξεργασία ή η επαναποστείρωση ενδέχεται να δημιουργήσει κίνδυνο επιμόλυνσης της συσκευής ή/και λοίμωξης ή διασταυρούμενης λοίμωξης του ασθενή, συμπεριλαμβανομένης, μεταξύ άλλων, της μετάδοσης λοιμωδών νόσων από έναν ασθενή σε άλλον. Η επιμόλυνση της συσκευής μπορεί να οδηγήσει σε τραυματισμό, νόσο ή θάνατο του ασθενή.

ΑΠΟΘΗΚΕΥΣΗ:

Αποθηκεύετε σε ελεγχόμενη θερμοκρασία δωματίου. Μην εκθέτετε σε οργανικούς διαλύτες, ιονίζουσα ακτινοβολία ή υπεριώδες φως.

ΑΠΟΡΡΙΨΗ:

Απορρίψτε το σύστημα καθετήρα σύμφωνα με την Οδηγία περί αποβλήτων ηλεκτρικού και ηλεκτρονικού εξοπλισμού (ΑΗΗΕ) και σύμφωνα με τις τυπικές νοσοκομειακές διαδικασίες για την απόρριψη ιατρικών αποβλήτων, συμπεριλαμβανομένων συσκευών μίας χρήσης και συσκευών που έρχονται σε επαφή με αίμα.

ΑΠΟΠΟΙΗΣΗ ΕΓΓΥΗΣΗΣ ΚΑΙ ΠΕΡΙΟΡΙΣΜΟΣ ΑΠΟΖΗΜΙΩΣΕΩΝ:

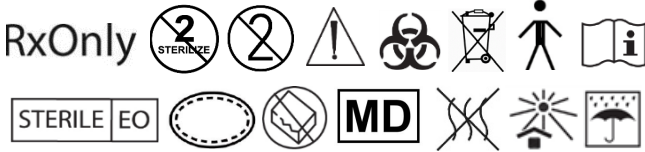
Δεν παρέχεται καμία ρητή ή συνεπαγόμενη εγγύηση, συμπεριλαμβανομένης, χωρίς περιορισμό, οποιασδήποτε συνεπαγόμενης εγγύησης εμπορευσιμότητας ή καταλληλότητας για συγκεκριμένο σκοπό, του προϊόντος ή των προϊόντων της Argon Medical που περιγράφονται στο παρόν έντυπο. Η Argon Medical δεν φέρει, σε καμία περίπτωση, ευθύνη για οποιοσδήποτε άμεσες, συμπτωματικές, ή παρεπόμενες βλάβες που δεν προβλέπονται ρητώς από συγκεκριμένη νομοθεσία. Ουδείς εξουσιοδοτείται να δεσμεύσει την Argon Medical σε οποιαδήποτε υπόσχεση ή εγγύηση, εκτός όσων αναφέρονται συγκεκριμένα στο παρόν.

Οι περιγραφές ή προδιαγραφές στο έντυπο υλικό της Argon Medical, συμπεριλαμβανομένου του παρόντος εντύπου, νοούνται αποκλειστικά ως γενική περιγραφή του προϊόντος κατά το χρόνο κατασκευής και δεν αποτελούν ρητές εγγυήσεις.

Η Argon Medical δεν φέρει καμία ευθύνη για οποιοσδήποτε άμεσες, συμπτωματικές ή παρεπόμενες βλάβες λόγω επαναχρησιμοποίησης του προϊόντος.



MEDICAL — GENERAL MEDICAL EQUIPMENT
AS TO ELECTRICAL SHOCK, FIRE AND MECHANICAL HAZARDS ONLY
IN ACCORDANCE WITH IEC60601-1 3rd Ed. & CAN/CSA-C22.2
NO. 60601.1 (2008), AAMI ES 60601-1:2008
4CR3



Το γλωσσάρι των συμβόλων παρέχεται ηλεκτρονικά στη διεύθυνση
www.argonmedical.com/symbols



EMERGO EUROPE
Westervoortsedijk 60
6827 AT Arnhem
The Netherlands
+31 70 345 8570



ARGON MEDICAL DEVICES, INC.
1445 Flat Creek Road
Athens, Texas 75751 USA
Tel: +1 (903) 675 9321
Tel: +1 (800) 927 4669
www.argonmedical.com



Emergo Consulting (UK) Limited
c/o Cr 360 - UL International
Compass House, Vision Park Histon
Cambridge CB24 9BZ
United Kingdom

CLEANER 15™

Rotational Thrombectomy System

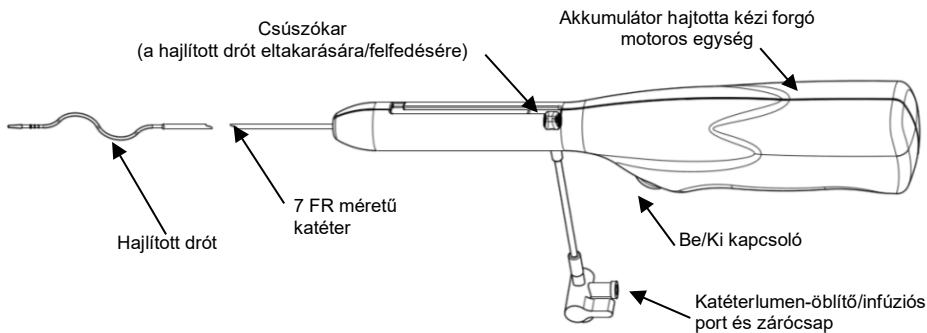
Hungarian - Használat előtt az összes utasítást el kell olvasni

oldal

Használati utasítás a perifériás érrendszerben való alkalmazáshoz.....	1-5
Használati utasítás graftokban és fistulákban való alkalmazáshoz.....	6-7

ESZKÖZLEÍRÁS:

A CLEANER 15™ rotációs trombektómiai rendszer 7 FR méretű, perkután, katéteralapú rendszer (egy darabból álló felépítés). Egy eldobható, kézi, akkumulátor hajtotta forgó motoros egység csatlakozik egy hajlított dróthoz, amely körülbelül 4000-es percenkénti fordulaton (RPM) forog. A drót és az atraumatikus puha vég sugárfogó a röntgenátvilágítással történő vizualizáció érdekében.



1. ábra

Perifériás érrendszer

HASZNÁLATI JAVALLATOK:

A CLEANER 15™ rotációs tromboektómiai rendszer mechanikus alvadéköldöklésére és az orvos által meghatározott folyadékok - ideértve a trombolitikumokat - szabályozott és szelektív infúziójára szolgál a perifériás érrendszerbe.

ELLENJAVALLATOK:

A CLEANER 15™ rotációs tromboektómiai rendszer ellenjavallt a következő esetekben:

- A rendszer ellenjavallt, ha az orvos megítélése szerint az eljárás veszélyeztetheti a beteg állapotát.
- Nem alkalmas perifériás érrendszeri tágtáti célokra.
- A rendszer nem alkalmas vér vagy vérkészítmények infúziójára.
- Olvassa el a terápiás oldat terméktájékoztatóját a javallatok, ellenjavallatok, mellékhatások és óvintézkedések tekintetében.
- 6 mm-nél kisebb átmérőjű natív erekben
- Érszűrővel, pl. vena cava inferior szűrővel nem rendelkező betegeknek.

FIGYELMEZTETÉSEK ÉS ÓVINTÉZKEDÉSEK:

- Használat előtt olvassa el a csomagban lévő tájékoztatóban található összes figyelmeztetést, óvintézkedést és utasítást. Ennek elmulasztása a beteg súlyos sérülését, valamint halálát eredményezheti.
- Az eljárásokat kizárólag a mellékelt berendezést ismerő és a szükséges technikában jártas orvosok és alkalmazottak végezhetik. Az eszköz sterilizálása etilén-oxid gázzal történik. A termék steril, ha a csomagolás nem nyitott vagy sérült. A csomagot használat előtt meg kell vizsgálni. Ha sérült, TILOS FELHASZNÁLNI. Az eszköz kizárólag egy beteghez használható fel. TILOS ÚJRAFELHASZNÁLNI VAGY ÚJRATERILIZÁLNI.
- Használat előtt gondosan vizsgálja meg a CLEANER 15™ rotációs tromboektómiai rendszert annak ellenőrzésére, hogy nem sérült-e meg a szállítás közben. Ha a termék komponensein bármilyen sérülés jeleit látja, NE HASZNÁLJA AZ ESZKÖZT.
- A HIV (humán immundeficiencia vírus), illetve az egyéb vérrrel terjedő kórokozók kockázata miatt az egészségügyi dolgozóknak minden beteg gondozása közben rutinszerűen be kell tartaniuk a vérről és testnedvekkel kapcsolatos univerzális óvintézkedéseket. Az eszköz bármilyen alkalmazása során szigorúan be kell tartani a sterilizációs szabályait.
- Ha ellenállást észlel, ne tolja előre az eszközt anélkül, hogy először röntgenátvilágítás alatt megállapítaná az ellenállás okát, és megtenné a szükséges elhárító intézkedéseket. Az ellenállással szembeni túlzott erőfeszítés az eszköz vagy az érrendszer sérülését eredményezheti.
- A katétert bevezetés előtt és minden olyan alkalommal át kell öblíteni, amikor a CLEANER 15™ eszközt eltávolítják az érrendszerből.
- Ha a katéter vagy a vezetődrót megtörik vagy más módon sérül használat közben, hagyja abba az alkalmazást, és cserélje ki.
- Az egészségügyi dolgozóknak tisztában kell lenniük a perifériás érrendszerben végzett trombolízissel kapcsolatos lehetséges szövődeményekkel, ideértve a következőket:
 - Érperforáció vagy -szakadás
 - Érgörcs
 - Vérömleny
 - Szepszis/fertőzés
 - Intimuszakadás
 - Értrombózis
 - Allergiás reakció a kontrasztanyaggal szemben
 - Tromboembóliás epizódok
 - A vérrögök disztális embolizációja
 - Vérzés
 - Fájdalom és érzékenység
 - Tromboflebitisz
 - Artériaszakadás
 - Gyógyszerreakciók
 - Arteriovenózus fistula
 - Amputáció
- A CLEANER 15™ eszköz elnyújtott aktivációja esetén fennáll a CLEANER 15™ hajlított drót fáradásos törésének veszélye. Éles kanyarok (pl. ha a hurokgraft vagy -fisztula sugara < 3 cm) észlelésekor 1-2 cm/másodperces visszahúzási sebesség javasolt.

JAVASOLT ELJÁRÁS:

Tartsa be a sterilizációs szabályait.

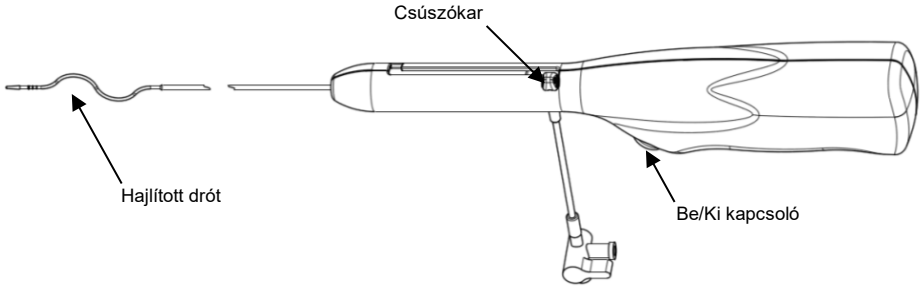
A beteg előkészítése:

1. Végezzen előzetes gyógyszeres kezelést a betegen a megfelelő anxiolitikummal, analgetikummal és/vagy antibiotikummal a kórházi eljárásrend szerint.

Az eszköz működésének ellenőrzése:

2. Vegye ki a CLEANER 15™ rotációs tromboektómiai rendszert a csomagolásból. A BE/KI kapcsoló megnyomásával győződjön meg róla, hogy a hajlított drót szabadon forog (lásd a 2. ábrát). Engedje fel a kapcsolót a forgás leállításához. **Óvintézkedés: Ne használja az eszközt, ha az a kapcsoló lenyomásakor nem aktiválódik azonnal, és a kapcsoló felengedésekor nem áll le azonnal.**

Perifériás érrendszer



2. ábra

3. Csatlakoztassa a terápiás oldatot vagy heparinos sóoldatot tartalmazó fecskendőt a katéterelőltő portra, és öblítse át a CLEANER 15™ katétert. Győződjön meg róla, hogy folyadék lép ki a legdisztálisabb katéterlyukból, amely a katéter végének közelében található. Zárja el a zárócsapot a katéterben lévő terápiás szer vagy heparin „lezárásához”, és vegye le a fecskendőt.

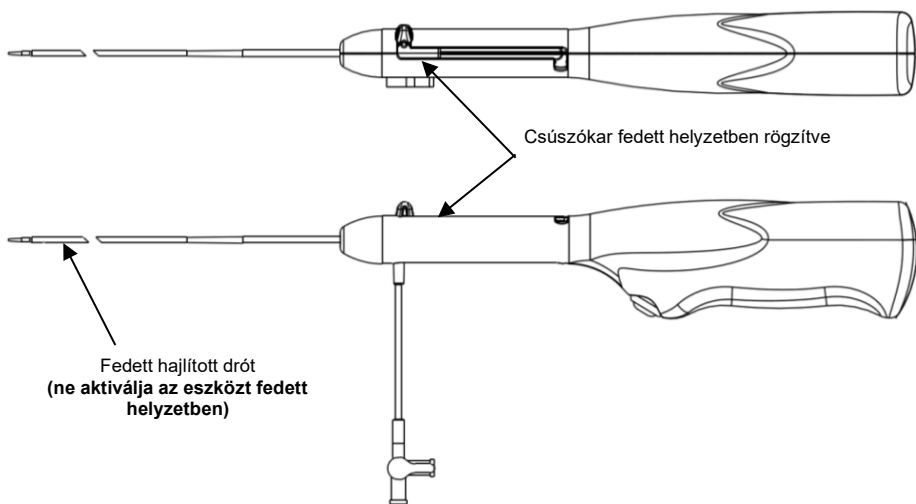
Kezelés:

A kezelés pontos menetét az orvos határozza meg. A következő leírás az eljárás egy lehetséges végrehajtási módját tartalmazza.

4. Használjon folyamatos röntgenátvilágítást az eljárás közben. Ne indítsa el addig a hajlított drót forgását (az eszköz aktiválását), amíg meg nem győződött az eszköz perifériás érrendszerbeli megfelelő elhelyezkedéséről.
5. Mossa le és izolálja kendővel a szúrás helyét szükség szerint.
6. Adjon be helyi érzéstelenítőt a vénás hüvely bevezetésére szolgáló szúrás helyére.
7. Válasszon egy megfelelő méretű, a CLEANER 15™ katéter és az eljárás közben esetlegesen alkalmazni kívánt egyéb eszközök/katéterek befogadására alkalmas hüvelyt. A vezetődrót maximális mérete a kiválasztott bevezető hüvely/tágító eszköz méretétől függ. Az illaca elágazás keresztezése esetén hosszú, megerősített hüvelyt kell használni.
8. Készítse elő és helyezze be a vénás bevezető hüvelyt a kórházi eljárásrendnek megfelelően. A vénás hüvelyt a perifériás érrendszer vénás szárába kell helyezni, és a kezelési terület felé kell irányítani. A vénás hüvely behelyezése az érben lévő rög méretétől függően lehet opcionális.
9. Vigye az eszközt fedett helyzetbe a csúszókar disztális pozícióba tolásával és a csúszókar fedett helyzetbe forgatásával (lásd a 3. ábrát). Fedett helyzetben csak a hajlított drót hajlékony vége érhet ki a katéterből. **Figyelem: Tilos az eszközt fedett helyzetben aktiválni.**
10. Vezesse át a hajlékony véget a hüvelyk- és a mutatóujja között tartva a hüvely szelepén. Vezesse át az eszközt a vénás hüvelyen a perifériás érrendszer vénás szárába.
11. Csatlakoztasson egy infundálni kívánt terápiás szert tartalmazó 10 ml-es fecskendőt a zárócsapra. Nyissa meg a zárócsapot az áramlás engedélyezéséhez. **Figyelem: Ne szívjon vissza vért a katéterbe.**

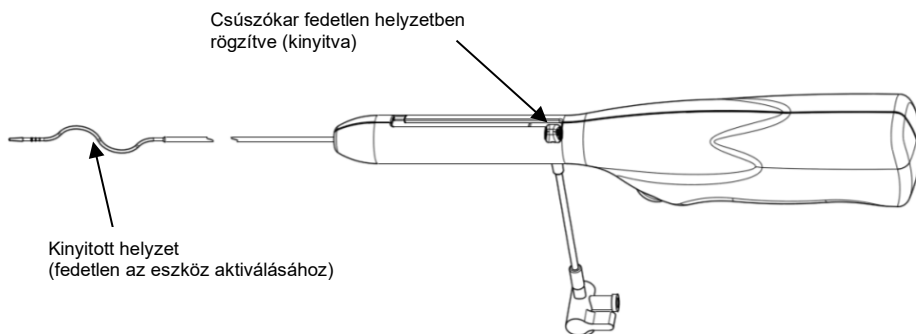
Megjegyzés: Az adott folyadékok összeállítására és hígítására vonatkozóan kövesse a gyártó utasításait.

Perifériás érrendszer



3. ábra

12. Tolja el a hajlékony véget a vérrög legdisztálisabb kiterjedéséig. Kioldással fedje fel a hajlított drótot úgy, hogy teljesen visszahúzza a csúszókart és elforgatja addig, amíg egy „kattanás” nem hall (lásd a 4. ábrát). Röntgenátvilágítással ellenőrizze az eszköz kezelési területen való elhelyezkedését. Nyomja meg a BE/KI kapcsolót a forgás aktiválásához.



4. ábra

Perifériás érrendszer

13. Aktivált eszköz mellett lassan húzza vissza a forgó hajlított drótot a kezelési terület mentén, miközben terápiás szert fecskendez be az infúziós porton keresztül a vérrög feloldásához. **Figyelem: Éles kanyarok elérésekor 1-2 cm/másodperces visszahúzási sebesség javasolt.** Amikor a hajlított drót eléri a vénás hüvely végét, engedje fel a kapcsolót a forgó diszperziós drót leállításához.
14. Fedje le az eszközt, és távolítsa el a perifériás érrendszerből. Öblítse át a katéter lumenét heparinos sóoldattal, és kézzel távolítsa el a hajlított dróton összegyűlt fibrint.
15. Szívja ki a felázott vérrögöt a hüvelyen át, és selejtezze le az aspirátumot. **Övintézkedés: Többszöri sikertelen aspiráció esetén a hüvely és az ér összeeshet.**
16. Fecskendezzen be kis mennyiségű kontrasztanyagot a vénás hüvelyen keresztül a trombus eltávolítása mértékének felmérésére. **Figyelem: Az embolizáció kockázatának csökkentése érdekében kerülje a kontrasztanyag túlzott mértékű befecskendezését.** Ismételje meg a 11-15. lépéseket a visszamaradt trombus kezeléséhez addig, amíg elfogadható mennyiségű trombust el nem sikerül távolítani.
17. Amikor befejezte a trombus eltávolítását, kezelje az alapbetegséget vagy a szűkületet a kórházi eljárásrendnek megfelelően.
18. Készítsen egy végső angiogramot.
19. Vegye ki a hüvelyeket a perifériás érrendszerből.
20. Végezze el a szúrás helyének vérzéscsillapítását a kórházi eljárásrendnek megfelelően.

Graftok és fisztulák

HASZNÁLATI JAVALLATOK:

A CLEANER 15™ rotációs trombektómiás rendszer erek natív dialízisfisztuláinak és szintetikus dialízisgraftjainak mechanikus alvadékképzésére szolgál.

ELLENJAVALLATOK:

A CLEANER 15™ rotációs trombektómiás rendszer ellenjavallt a következő esetekben:

- Ha az orvos megítélése szerint az eljárás veszélyeztetheti a beteg állapotát.
- 6 mm-nél kisebb átmérőjű natív erekben
- A hemodialízis hozzáférési helyének meglévő fertőzése.
- Éretlen natív érből készült dialízisfisztula (a fisztulát még nem használták egy hemodialízis kezelésre sem).

FIGYELMEZTETÉSEK ÉS ÓVINTÉZKEDÉSEK:

- Használat előtt olvassa el a csomagban lévő tájékoztatóban található összes figyelmeztetést, óvintézkedést és utasítást. Ennek elmulasztása a beteg súlyos sérülését, valamint halálát eredményezheti.
- Az eljárásokat kizárólag a mellékelt berendezést ismerő és a szükséges technikákban jártas orvosok és alkalmazottak végezhetik. Az eszköz sterilizálása etilén-oxid gázzal történt. A termék steril, ha a csomagolás nem nyitott vagy sérült. A csomagot használat előtt meg kell vizsgálni. Ha sérült, TILOS FELHASZNÁLNI. Az eszköz kizárólag egy beteghez használható fel. TILOS ÚJRAFELHASZNÁLNI VAGY ÚJRASTERILIZÁLNI.
- Használat előtt gondosan vizsgálja meg a CLEANER 15™ rotációs trombektómiás rendszert annak ellenőrzésére, hogy nem sérült-e meg a szállítás közben. Ha a termék komponensein bármilyen sérülés jeleit látja, NE HASZNÁLJA AZ ESZKÖZT.
- A HIV (humán immundeficiencia vírus), illetve az egyéb vérrrel terjedő kórokozók kockázata miatt az egészségügyi dolgozóknak minden beteg gondozása közben rutinszerűen be kell tartaniuk a vérrrel és testnedvekkel kapcsolatos univerzális óvintézkedéseket. Az eszköz bármilyen alkalmazása során szigorúan be kell tartani a sterilitás szabályait.
- Az egészségügyi dolgozóknak tisztában kell lenniük a dialízisfisztulákon és a graftokon végzett trombolízissel kapcsolatos lehetséges szövődményekkel, ideértve a következőket:
 - Vérzés
 - Tünetekkel járó tüdőembólia
 - Artériás embolizáció
 - Allergiás reakció a kontrasztanyaggal szemben
 - Álaneanurizma
 - Fájdalom és/vagy érzékenység
 - Érszakadás vagy -diszrupció
 - Fertőzés
 - Artéria- vagy vénaperforáció
 - Vérömleny
 - Halál
- Az artériás embolizáció kockázatának minimalizálása érdekében óvatosan kell eljárni az artériás anasztomózisnál lévő dugó kimozdításakor.
- A hemodializált betegeknél a kiválasztás hiánya miatt a kontrasztanyag használatát a teljes eljárás alatt a minimumra kell csökkenteni.
- A CLEANER 15™ eszköz elnyújtott aktiválása esetén fennáll a CLEANER 15™ hajlított drót fáradásos törésének veszélye. Éles kanyarok (pl. ha a hurokgraft vagy -fisztula sugara < 3 cm) észlelésekor 1-2 cm/másodperces visszahúzási sebesség javasolt.

JAVASOLT ELJÁRÁS:

Tartsa be a sterilitás szabályait.

A beteg előkészítése:

1. Vegyezen előzetes gyógyszeres kezelést a betegen a megfelelő anxiolitikummal, analgetikummal és/vagy antibiotikummal a kórházi eljárásrend szerint.

Az eszköz működésének ellenőrzése:

2. Vegye ki a CLEANER 15™ rotációs trombektómiás rendszert a csomagolásból. A BE/KI kapcsoló megnyomásával győződjön meg róla, hogy a hajlított drót szabadon forog (lásd a 2. ábrát). Engedje fel a kapcsolót a forgás leállításához. **Óvintézkedés: Ne használja az eszközt, ha az a kapcsoló lenyomásakor nem aktiválódik azonnal, és a kapcsoló felengedésekor nem áll le azonnal.**
3. Öblítse át a CLEANER 15™ katéter heparinos sóoldattal a katéterlumen-öblítő porton keresztül. A beavatkozás előtt állítsa vissza a zárcsapot a zárt állásba.

A trombolízis menete:

4. Folyamatos röntgenátvilágítás alatt végezze a CLEANER 15™ trombolízis eljárást. Ne indítsa el addig a hajlított drót forgását (az eszköz aktiválását), amíg meg nem győződött az eszköz fisztula- vagy graftbeli megfelelő elhelyezkedéséről.
5. Készítse elő és izolálja kendővel a szúrás helyét szükség szerint.
6. Adjon be helyi érzéstelenítőt a vénás hüvely bevezetésére szolgáló szúrás helyén.
7. Válasszon egy megfelelő méretű, a CLEANER 15™ katéter és az eljárás közben esetlegesen alkalmazni kívánt egyéb eszközök/katéterek befogadására alkalmas hüvelyt. A vezetődrót maximális mérete a kiválasztott bevezető hüvely/tágító eszköz méretétől függ.

Graftok és fisztulák

- Készítse elő és helyezze be a vénás bevezető hüvelyt a kórházi eljárásrendnek megfelelően. A vénás hüvelyt a graft vénás szárába kell helyezni, és a vénás anasztomózis felé kell irányítani. Fisztulák esetén a vénás hüvely behelyezése az érben lévő rög méretétől függően lehet opcionális. Vénás hüvely használata esetén azt a fisztula vénás szárába kell helyezni, és a centrális vénás kiáramlás felé kell irányítani. Megjegyzés: Ha nem használ vénás hüvelyt az AV fisztulához, folytassa a 16. lépéssel.
- Helyezze az eszközt fedett helyzetbe a csúszókár disztális pozícióba tolásával és a csúszókár fedett helyzetbe rögzülő forgatásával (lásd a 3. ábrát). Fedett helyzetben csak a hajlított drót hajlékony vége érhet ki a katéterből. Tilos az eszközt a fedett helyzetben aktiválni.
- Vezesse át a hajlékony véget a hüvelyk- és a mutatóujja között tartva a hüvely szelepén. Vezesse át a fedett eszközt a vénás hüvelyen a fisztula vagy a graft vénás szárába.
- Graft esetén tolja előre a hajlékony véget a vénás anasztomózisig. **Figyelem: Ne tolja túl az anasztomózison az eszközt.** Fisztulánál tolja el a hajlékony véget a vérrög legközpontibb kiterjedéséig. Kioldással fedje fel a hajlított drótot úgy, hogy teljesen visszahúzza a csúszókárt és elforgatja addig, amíg egy „kattanás” nem hall (lásd a 4. ábrát). Röntgenátvilágítással ellenőrizze az eszköz fisztulában vagy graftban való elhelyezkedését. Nyomja meg a BE/KI kapcsolót a forgás aktiválásához.

Megjegyzés: Óvatosan járjon el a drót felfedése közben, nehogy betolja a drótot a vérrögbe, és túltolja az anasztomózison.

- Aktivált eszköz mellett lassan húzza vissza a forgó hajlított drótot a graft vagy a fisztula mentén a vérrög feltöréséhez. **Figyelem: Éles kanyarok elérésekor 1-2 cm/másodperces visszahúzási sebesség javasolt.** Amikor a hajlított drót eléri a vénás hüvely végét, engedje fel a kapcsolót a forgó mozgás leállításához.
- Fedje le az eszközt, és távolítsa el a graftból vagy a fisztulából. Óblítse át a katéter lumenét heparinos sóoldattal, és kézzel távolítsa el a hajlított dróton összegyűlt fibrint.
- Szívja ki a felázott vérrögöt a hüvelyen át, és selejtezze le az aspirátumot. **Övintézkedés: Többszöri sikertelen aspiráció esetén a hüvely és a graft/fisztula összeeshet.**
- Fecskendezzen be kis mennyiségű kontrasztanyagot a vénás hüvelyen keresztül a trombus eltávolítása mértékének felmérésére. **Figyelem: Az artériás embolizáció kockázatának csökkentése érdekében kerülje a kontrasztanyag túlzott mértékű befecskendezését.** Ismételje meg a 11-14. lépéseket a visszamaradt trombus kezelésére addig, amíg elfogadható mennyiségű trombus sikerül eltávolítani.
- Adjon be helyi érzéstelenítőt az artériás hüvely bevezetésére szolgáló szúrás helyén. Készítse elő és helyezze be az artériás bevezető hüvelyt a kórházi eljárásrendnek megfelelően. Az artériás hüvelyt az artériás anasztomózis felé kell irányítani. **Övintézkedés: Az artériás és a vénás hüvelyek végei nem fedhetik át egymást.**
- Vezesse át a hajlékony véget a hüvelyk- és a mutatóujja között tartva a hüvely szelepén. Vezesse át a fedett eszközt az artériás hüvelyen a fisztula vagy a graft artériás szárába.
- Graft esetén tolja előre a hajlékony véget az artériás anasztomózisig. **Figyelem: Ne tolja túl az anasztomózison az eszközt.** Fisztula esetén tolja el a hajlékony véget a vérrög legközpontibb kiterjedéséig. Kioldással fedje fel a hajlított drótot úgy, hogy teljesen visszahúzza a csúszókárt és elforgatja addig, amíg egy „kattanás” nem hall. Röntgenátvilágítással ellenőrizze az eszköz fisztulában vagy graftban való elhelyezkedését. Nyomja meg a BE/KI kapcsolót a forgás aktiválásához.
- Aktivált eszköz mellett lassan húzza vissza a forgó hajlított drótot fedetlen helyzetben a graft vagy a fisztula mentén a vérrög feltöréséhez. **Figyelem: Éles kanyarok elérésekor 1-2 cm/másodperces visszahúzási sebesség javasolt.** Amikor a hajlított drót eléri az artériás hüvely végét, engedje fel a kapcsolót a forgó mozgás leállításához.
- Fedje le az eszközt, és távolítsa el a graftból vagy a fisztulából. Óblítse át a katéter lumenét heparinos sóoldattal, és kézzel távolítsa el a hajlított dróton összegyűlt fibrint.
- Szívja ki a felázott vérrögöt valamelyik hüvelyen át, és selejtezze le az aspirátumot. **Övintézkedés: Többszöri sikertelen aspiráció esetén a hüvely és a graft/fisztula összeeshet.**
- Toljon át egy megfelelő katétert az artériás hüvelyen, és óvatosan vezesse át a graft vagy a fisztula artériás anasztomózisán. Töltse fel a ballont, ha ballonkatétert használ. Húzza el az artériás dugót az artériás szár közepéig. Engedje le a ballont, és vegye ki a ballonkatétert.
- Vezesse át ismét a fedett CLEANER 15™ eszközt az artériás hüvelyen a fisztula vagy a graft artériás szárába.
- Fedje fel a hajlított drótot, és aktiválja az eszközt az artériás dugó feltöréséhez, kontrasztanyaggal ellenőrizve a feloldást.
- Fedje le az eszközt, és távolítsa el azt a graftból vagy a fisztulából. Óblítse át a katéter lumenét heparinos sóoldattal, és kézzel távolítsa el a hajlított dróton összegyűlt fibrint.
- Szívja ki a felázott vérrögöt a hüvelyen át, és selejtezze le az aspirátumot.
- Fecskendezzen be kontrasztanyagot a trombus eltávolítása mértékének megítélésére. Kezelje a visszamaradt trombuszt a CLEANER 15™ rendszerrel hüvely segítségével vagy anélkül, szükség szerint.
- Amikor befejezte a trombus eltávolítását, kezelje az alapbetegséget vagy a szűkületet a kórházi eljárásrendnek megfelelően.
- Készítsen egy végső fisztulogramot.
- Vegye ki a hüvelyeket a fisztulából vagy a graftból.
- Végezze el a szúrás helyének (helyeinek) vérzéscsillapítását a kórházi eljárásrendnek megfelelően.

FIGYELEM:

Kizárólag egyszeri használatra. Tilos újrafelhasználni, regenerálni vagy újratesterilezni. Az újrafelhasználás, regenerálás vagy újratesterilizálás veszélyeztetheti az eszköz szerkezeti épségét, és/vagy az eszköz meghibásodásához vezethet, amely viszont a beteg sérülését, megbetegedését vagy halálát eredményezheti. Az újrafelhasználás, regenerálás vagy újratesterilizálás emellett növelheti az eszköz szennyeződésének kockázatát, és/vagy a beteg fertőzését vagy keresztfertőződését okozhatja, ideértve többek között az egyik betegről a másikra terjedő fertőző betegsége(ke)t. Az eszköz szennyeződése a beteg sérüléséhez, megbetegedéséhez, illetve halálához vezethet.

TÁROLÁS:

Szabályozott szobahőmérsékleten tárolandó. Tilos kitenni szerves oldószereknek, ionizáló sugárzásnak vagy ultraibolya fénynek.

HULLADÉKBA HELYEZÉS:

A katéterrendszert az Elektromos és elektronikus berendezések hulladékba helyezésére vonatkozó (WEEE) irányelv előírásainak megfelelően, valamint a gyógyászati hulladékokra - ideértve az egyszer használatos, vérel érintkező eszközöket - vonatkozó szabványos intézményi eljárásoknak megfelelően kell a hulladékba helyezni.

JÓTÁLLÁSI NYILATKOZAT ÉS KORLÁTOZOTT JOGORVOSLAT:

Nem vonatkozik a jelen kiadványban szereplő Argon Medical termék(ek)re semmilyen kifejezett vagy beleértett jótállás, korlátozás nélkül ideértve a forgalomba hozhatóságra vagy az egy adott célnak való megfelelésre vonatkozó beleértett jótállást. A Argon Medical semmilyen körülmények között nem tehető felelőssé semmilyen közvetlen, véletlen vagy következményes kárért, kivéve, ha ezt meghatározott törvény kifejezetten elő nem írja. Senki nem rendelkezik felhatalmazással arra, hogy a Argon Medical céget az itt egyértelműen leirtaktól eltérő képviselőre vagy jótállásra kötelezze.

A Argon Medical nyomtatott anyagaiban - ideértve a jelen kiadványt is - szereplő leírások és műszaki jellemzők kizárólag a termék általános leírását szolgálják a gyártás pillanatában, és nem jelentenek semmilyen kifejezett jótállást.

A Argon Medical nem felelős semmilyen közvetlen, véletlen vagy következményes kárért, amely a termék újrafelhasználásából adódik.



E353911

MEDICAL — GENERAL MEDICAL EQUIPMENT
AS TO ELECTRICAL SHOCK, FIRE AND MECHANICAL HAZARDS ONLY
IN ACCORDANCE WITH IEC60601-1 3rd Ed. & CAN/CSA-C22.2
NO. 60601.1 (2008), AAMI ES 60601-1:2008
4CR3



A szimbólumok összefoglalása elektronikusan itt található:
www.argonmedical.com/symbols



EMERGO EUROPE
Westervoortsedijk 60
6827 AT Arnhem
The Netherlands
+31 70 345 8570



ARGON MEDICAL DEVICES, INC.
1445 Flat Creek Road
Athens, Texas 75751 USA
Tel: +1 (903) 675 9321
Tel: +1 (800) 927 4669
www.argonmedical.com



Emergo Consulting (UK) Limited
c/o Cr 360 - UL International
Compass House, Vision Park Histon
Cambridge CB24 9BZ
United Kingdom

CLEANER 15™

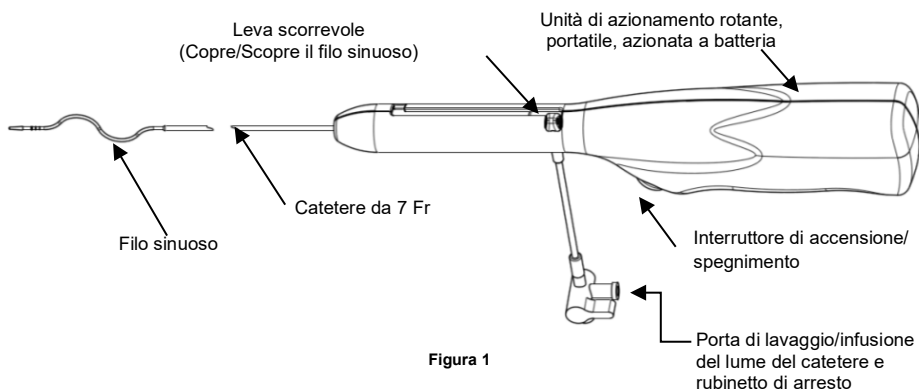
Rotational Thrombectomy System

Italian - Tutte le istruzioni devono essere lette prima dell'uso

	pagine
Istruzioni per l'uso nella vascolarizzazione periferica.....	1-4
Istruzioni per l'uso in innesti e fistole.....	5-6

DESCRIZIONE DEL DISPOSITIVO:

Il sistema per trombectomia rotazionale CLEANER 15™ è un sistema basato su catetere percutaneo da 7 Fr (costruzione monoblocco). Un'unità di azionamento rotante monouso, portatile, azionata a batteria è collegata ad un filo sinuoso che gira a circa 4000 RPM (giri al minuto). Il filo e la punta morbida atraumatica sono radiopachi per consentire la visualizzazione fluoroscopica.



INDICAZIONI PER L'USO:

Il sistema per trombectomia rotazionale CLEANER 15™ è indicato per il declotting meccanico e l'infusione controllata e selettiva di fluidi specificati dal medico, compresi i trombolitici, nel sistema vascolare periferico.

CONTROINDICAZIONI:

Il sistema per trombectomia rotazionale CLEANER 15™ è controindicato nei seguenti casi:

- Questo sistema è controindicato nel caso in cui, a giudizio del medico, tale procedura possa compromettere la condizione del paziente.
- Non progettato a fini di dilatazione del sistema vascolare periferico.
- Questo sistema non è inteso per l'infusione di sangue o prodotti emoderivati.
- Consultare il foglietto illustrativo della soluzione terapeutica di scelta per indicazioni, controindicazioni, effetti collaterali e precauzioni.
- In vasi nativi con diametro inferiore a 6 mm
- In pazienti senza un filtro vascolare come un filtro cavale posizionato all'interno della vena cava inferiore.

Sistema vascolare periferico

AVVERTENZE E PRECAUZIONI:

- Prima dell'uso, leggere tutte le avvertenze, precauzioni e istruzioni riportate nel foglietto illustrativo. In caso contrario potrebbero verificarsi lesioni gravi o morte del paziente.
- Queste procedure devono essere eseguite esclusivamente da medici e da personale che abbia familiarità con l'apparecchiatura e le tecniche utilizzate. Il dispositivo è stato sterilizzato con ossido di etilene (ETO) ed è sterile a meno che la confezione non sia aperta o danneggiata. La confezione deve essere esaminata prima dell'uso. Se la confezione è danneggiata **NON UTILIZZARE**. Il dispositivo è destinato ad essere utilizzato una sola volta per un solo paziente; **NON RIUTILIZZARE O RISTERILIZZARE**.
- Prima dell'uso esaminare attentamente il sistema per trombectomia rotazionale CLEANER 15™ per verificare che non sia stato danneggiato durante il trasporto. **NON USARE** se i componenti del prodotto mostrano segni di danni.
- A causa del rischio di esposizione all'HIV (Human Immunodeficiency Virus, Virus dell'immunodeficienza umana) o ad altri patogeni trasmissibili per via ematica, i professionisti sanitari devono sempre attenersi alle precauzioni universali verso sangue e fluidi corporei nell'assistenza di tutti i pazienti. Adottare rigorosamente tecniche sterili durante ogni manipolazione del dispositivo.
- Non fare avanzare il dispositivo se si incontra resistenza senza prima aver determinato la causa di resistenza sotto fluoroscopia e aver intrapreso qualsiasi azione correttiva necessaria. L'applicazione di una forza eccessiva contro resistenza può provocare danni al dispositivo o al sistema vascolare.
- Prima dell'introduzione, e ogni volta che CLEANER 15™ viene rimosso dal sistema vascolare, il catetere deve essere lavato.
- Se il catetere o la guida vengono piegati o altrimenti danneggiati durante l'uso, interrompere l'uso e sostituirli.
- I medici devono essere a conoscenza delle possibili complicanze associate a trombolisi del sistema vascolare periferico, ad inclusione di:
 - Perforazione o rottura di un vaso
 - Spasmo vasale
 - Ematoma
 - Sepsis/infezione
 - Lacerazione intinale
 - Trombosi vascolare
 - Reazione allergica al mezzo di contrasto
 - Episodi tromboembolici
 - Embolizzazione distale di coaguli ematici
 - Emorragia
 - Dolore e iperestesia
 - Tromboflebite
 - Dissezione arteriosa
 - Reazioni ai farmaci
 - Fistola artero-venosa
 - Amputazione
- In caso di attivazione prolungata del dispositivo CLEANER 15™ potrebbe verificarsi una potenziale rottura da fatica del filo sinuoso CLEANER 15™. Si raccomanda una velocità di ritiro di 1-2 cm/secondo quando si incontrano raggi stretti (ad esempio il raggio di un innesto a loop o fistola, raggi < 3 cm).

PROCEDURA SUGGERITA:

Utilizzare una tecnica sterile.

Preparazione del paziente:

1. Premedicare il paziente con un ansiolitico, analgesico e/o antibiotico come appropriato secondo il protocollo ospedaliero.

Test del rendimento del dispositivo:

2. Estrarre dalla confezione il sistema per trombectomia rotazionale CLEANER 15™. Premere l'Interruttore di accensione/spengimento per assicurare che il filo sinuoso ruoti liberamente (fare riferimento alla Figura 2). Rilasciare l'interruttore per interrompere il movimento rotatorio. **Precauzione: Non usare il dispositivo se non si attiva subito quando si preme l'interruttore e se non si disattiva subito quando si rilascia l'interruttore.**

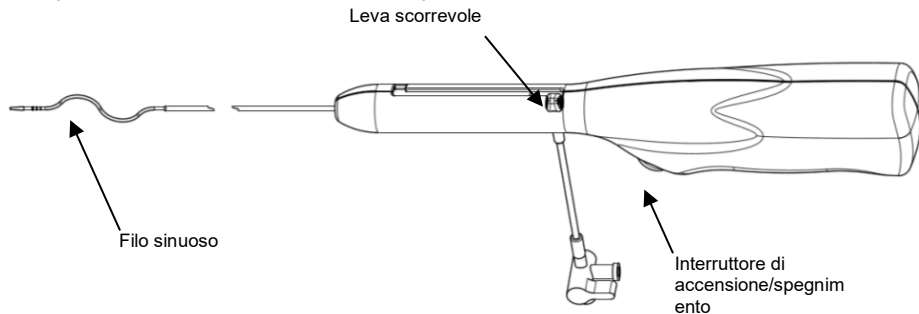


Figura 2

Sistema vascolare periferico

3. Collegare una siringa di agente terapeutico o di soluzione salina eparinizzata alla porta di lavaggio del catetere e sciacquare il catetere CLEANER 15™. Accertarsi che il fluido esca dal foro più distale del catetere che si trova accanto all'estremità del catetere. Chiudere il rubinetto di arresto per "bloccare" l'agente terapeutico o l'eparina nel catetere e rimuovere la siringa.

Trattamento:

La procedura di trattamento esatta deve essere stabilita dal medico. L'opzione riportata di seguito descrive in che modo può essere eseguita la procedura.

4. Completare la procedura sotto guida fluoroscopica continua. Non iniziare la rotazione del filo sinuoso (attivazione del dispositivo) senza prima aver confermato il corretto posizionamento del dispositivo all'interno del sistema vascolare periferico.
5. Preparare e sistemare i teli sul sito dell'iniezione come previsto.
6. Somministrare un anestetico locale nel sito dell'iniezione se è stato scelto l'inserimento di una guaina venosa.
7. Selezionare una guaina di dimensioni appropriate per accogliere il catetere CLEANER 15™ e altri dispositivi/cateteri che possono essere usati durante la procedura. La dimensione massima della guida dipende dal gruppo guaina di introduzione/dilatatore scelto. Se si incrocia la biforcazione iliaca è necessario usare una guaina rinforzata lunga.
8. Preparare e posizionare la guaina di introduzione venosa in base al protocollo dell'ospedale. La guaina venosa deve essere posizionata nel lembo venoso del sistema vascolare periferico e direzionata verso il sito di trattamento. Il posizionamento della guaina venosa può essere opzionale in base al clot burden nel vaso.
9. Collocare il dispositivo nella posizione coperta spingendo la leva scorrevole verso la posizione distale e ruotandola per bloccarla nella posizione coperta (fare riferimento alla Figura 3). Quando si trova nella posizione coperta, deve fuoriuscire dal catetere solo la punta flessibile del filo sinuoso. **Avvertenza: Il dispositivo non deve essere attivato quando si trova nella posizione coperta.**
10. Sostenere la punta flessibile fra il pollice e l'indice durante l'inserimento attraverso la valvola della guaina. Inserire il dispositivo coperto attraverso la guaina venosa e nel lembo venoso del sistema vascolare periferico.
11. Collegare una siringa da 10 cc contenente l'agente terapeutico per l'infusione al rubinetto di arresto. Aprire il rubinetto di arresto per consentire il flusso. **Avvertenza: Non riaspirare sangue nel catetere.**

Nota: Seguire le istruzioni del produttore relative alla ricostituzione e alla diluizione dei fluidi specificati.

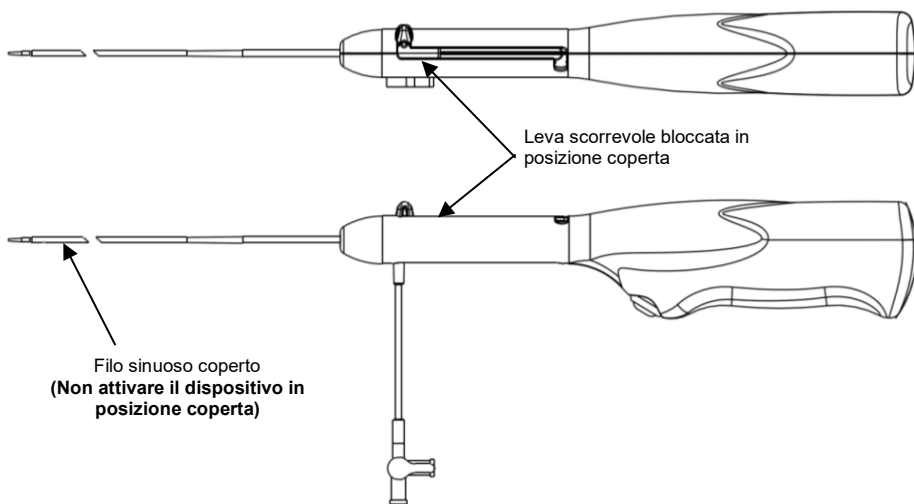


Figura 3

12. Fare avanzare la punta flessibile sino all'estensione più distale del coagulo. Scoprire il filo sinuoso sbloccando, facendo completamente rientrare e ruotando la leva scorrevole sino ad udire un "clic" (fare riferimento alla Figura 4). Verificare il posizionamento del dispositivo all'interno del sito di trattamento mediante guida fluoroscopica. Premere l'interruttore di accensione/spengimento per attivare la rotazione.

Sistema vascolare periferico

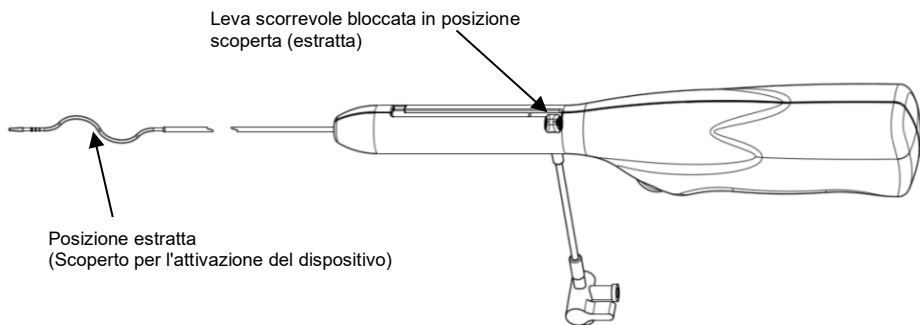


Figura 4

13. Con il dispositivo attivato, estrarre lentamente il filo sinuoso rotante lungo il sito di trattamento mentre viene infuso l'agente terapeutico attraverso la porta di infusione per sciogliere il coagulo. **Avvertenza: Si raccomanda una velocità di ritiro di 1-2 cm/secondo quando si incontrano raggi stretti.** Quando il filo sinuoso raggiunge la punta della guaina venosa, rilasciare l'interruttore per disattivare il filo di dispersione rotante.
14. Coprire il dispositivo e rimuoverlo dal sistema vascolare periferico. Irrigare il lume del catetere con soluzione salina eparinizzata e rimuovere manualmente gli accumuli di fibrina dal filo sinuoso.
15. Aspirare il coagulo macerato attraverso la guaina e gettare l'aspirato. **Precauzione: Un'aspirazione continua senza successo può causare il collasso della guaina e del vaso.**
16. Iniettare una piccola quantità di contrasto attraverso la guaina venosa per valutare il grado di rimozione del trombo conseguito. **Avvertenza: Evitare una sovrainiezione di contrasto per ridurre al minimo il rischio di embolizzazione.** Trattare il trombo residuo ripetendo i passaggi 11-15 sino all'ottenimento di una rimozione dei trombi accettabile.
17. Una volta completata la rimozione del trombo, trattare ogni malattia di base o la stenosi secondo il protocollo dell'ospedale.
18. Eseguire l'angiogramma finale.
19. Rimuovere le guaine dal sistema vascolare periferico.
20. Ottenere l'emostasi del/i sito/i di puntura secondo il protocollo dell'ospedale.

Innesti e fistole

INDICAZIONI PER L'USO:

Il sistema per trombectomia rotazionale CLEANER 15™ è indicato per il declotting meccanico di fistole per dialisi con vasi nativi e innesti sintetici di accesso per dialisi.

CONTROINDICAZIONI:

Il sistema per trombectomia rotazionale CLEANER 15™ è controindicato nei seguenti casi:

- Nel caso in cui, a giudizio del medico, tale procedura possa compromettere la condizione del paziente.
- In vasi nativi con diametro inferiore a 6 mm
- Infezione del sito di accesso per emodialisi esistente.
- Fistole per dialisi con vasi nativi immature (fistole che non sono state usate per almeno un trattamento emodialitico).

AVVERTENZE E PRECAUZIONI:

- Prima dell'uso, leggere tutte le avvertenze, precauzioni ed istruzioni riportate nel foglietto illustrativo. In caso contrario potrebbero verificarsi lesioni gravi o morte del paziente.
- Queste procedure devono essere eseguite esclusivamente da medici e da personale che abbia familiarità con l'apparecchiatura e le tecniche utilizzate. Il dispositivo è stato sterilizzato con ossido di etilene (EtO) ed è sterile a meno che la confezione non sia aperta o danneggiata. La confezione deve essere esaminata prima dell'uso. Se la confezione è danneggiata NON UTILIZZARE. Il dispositivo è destinato ad essere utilizzato una sola volta per un solo paziente; NON RIUTILIZZARE O RISTERILIZZARE.
- Prima dell'uso esaminare attentamente il sistema per trombectomia rotazionale CLEANER 15™ per verificare che non sia stato danneggiato durante il trasporto. NON USARE se i componenti del prodotto mostrano segni di danni.
- A causa del rischio di esposizione all'HIV (Human Immunodeficiency Virus, Virus dell'immunodeficienza umana) o ad altri patogeni trasmissibili per via ematica, i professionisti sanitari devono sempre attenersi alle precauzioni universali verso sangue e fluidi corporei nell'assistenza di tutti i pazienti. Adottare rigorosamente tecniche sterili durante ogni manipolazione del dispositivo.
- I medici devono essere a conoscenza delle possibili complicanze associate alla fistola per dialisi e alla trombolisi dell'innesto, ad inclusione di:
 - Emorragia
 - Embolia polmonare sintomatica
 - Embolizzazione dell'arteria
 - Reazione allergica ai mezzi di contrasto
 - Pseudoaneurisma
 - Dolore e/o iperestesia
 - Rottura o lacerazione del vaso
 - Infezione
 - Perforazione dell'arteria o della vena
 - Ematoma
 - Morte
- Utilizzare la massima cautela nello spostare il dispositivo di occlusione (plug) dell'anastomosi arteriosa per ridurre al minimo il rischio di embolizzazione dell'arteria.
- A causa della mancanza di escrezione associata ai pazienti in emodialisi, l'uso del contrasto deve essere mantenuto al minimo nel corso di questa procedura.
- In caso di attivazione prolungata del dispositivo CLEANER 15™ potrebbe verificarsi una potenziale rottura da fatica del filo sinuoso CLEANER 15™. Si raccomanda una velocità di ritiro di 1-2 cm/secondo quando si incontrano raggi stretti (ad esempio il raggio di un innesto a loop o fistola, raggi < 3 cm).

PROCEDURA SUGGERITA:

Utilizzare una tecnica sterile.

Preparazione del paziente:

1. Premedicare il paziente con un ansiolitico, analgesico e/o antibiotico come appropriato secondo il protocollo ospedaliero.

Test del rendimento del dispositivo:

2. Estrarre dalla confezione il sistema per trombectomia rotazionale CLEANER 15™. Premere l'interruttore di accensione/spengimento per assicurare che il filo sinuoso ruoti liberamente (fare riferimento alla Figura 2). Rilasciare l'interruttore per interrompere il movimento rotatorio. **Precauzione: Non usare il dispositivo se non si attiva subito quando si preme l'interruttore e se non si disattiva subito quando si rilascia l'interruttore.**
3. Sciappare il catetere CLEANER 15™ con soluzione (salina eparinizzata attraverso la porta di lavaggio del lume del catetere. Riportare il rubinetto di arresto in posizione di chiusura (off) prima dell'operazione.

Procedura di trombolisi:

4. Completare la procedura di trombolisi con CLEANER 15™ sotto guida fluoroscopica continua. Non iniziare la rotazione del filo sinuoso (attivazione del dispositivo) senza prima aver confermato il corretto posizionamento del dispositivo all'interno della fistola o dell'innesto.
5. Preparare e sistemare i teli sul sito dell'iniezione come previsto.
6. Somministrare un anestetico locale nel sito dell'iniezione se è stato scelto l'inserimento di una guaina venosa.

Innesti e fistole

7. Selezionare una guaina di dimensioni appropriate per accogliere il catetere CLEANER 15™ e altri dispositivi/cateteri che possono essere usati durante la procedura. La dimensione massima della guida dipende dal gruppo guaina di introduzione/dilatatore scelto.
8. Preparare e posizionare la guaina di introduzione venosa in base al protocollo dell'ospedale. La guaina venosa deve essere posizionata nel lembo venoso dell'innesto e direzionata verso l'anastomosi venosa. Nelle fistole, il posizionamento della guaina venosa può essere opzionale in base al clot burden nel vaso. Se si utilizza una guaina venosa, essa deve essere posizionata nel lembo venoso della fistola e direzionata verso l'efflusso venoso centrale. Nota: Se non si utilizza alcuna guaina venosa nella fistola AV, andare al passaggio 16.
9. Collocare il dispositivo nella posizione coperta spingendo la leva scorrevole verso la posizione distale e ruotandola per bloccarla nella posizione coperta (fare riferimento alla Figura 3). Quando si trova nella posizione coperta, deve fuoriuscire dal catetere solo la punta flessibile del filo sinuoso. Il dispositivo non deve essere attivato quando si trova nella posizione coperta.
10. Sostenere la punta flessibile fra il pollice e l'indice durante l'inserimento attraverso la valvola della guaina. Inserire il dispositivo coperto attraverso la guaina venosa e nel lembo venoso della fistola o dell'innesto.
11. In un innesto, fare avanzare la punta flessibile sino all'anastomosi venosa. **Avvertenza: Non farla avanzare oltre l'anastomosi.** In una fistola, fare avanzare la punta flessibile sino all'estensione più centrale del coagulo. Scoprire il filo sinuoso sbloccando, facendo completamente rientrare e ruotando la leva scorrevole sino ad udire un "clic" (fare riferimento alla Figura 4). Verificare il posizionamento del dispositivo all'interno della fistola o dell'innesto mediante guida fluoroscopica. Premere l'interruttore di accensione/spegnimento per attivare la rotazione.

Nota: Usare cautela nello scoprire il filo per evitare di farlo avanzare nel coagulo e oltre l'anastomosi.

12. Con il dispositivo attivato, estrarre lentamente il filo sinuoso rotante lungo l'innesto o la fistola per sciogliere il coagulo. **Avvertenza: Si raccomanda una velocità di ritiro di 1-2 cm/secondo quando si incontrano raggi stretti.** Quando il filo sinuoso raggiunge la punta della guaina venosa, rilasciare l'interruttore per disattivare il rotatore.
13. Coprire il dispositivo e rimuoverlo dall'innesto o dalla fistola. Irrorare il lume del catetere con soluzione salina eparinizzata e rimuovere manualmente gli accumuli di fibrina dal filo sinuoso.
14. Aspirare il coagulo macerato attraverso la guaina e gettare l'aspirato. **Precauzione: Un'aspirazione continua senza successo può causare il collasso della guaina e dell'innesto/fistola.**
15. Iniettare una piccola quantità di contrasto attraverso la guaina venosa per valutare il grado di rimozione del trombo conseguito. **Avvertenza: Evitare una sovrainiezione di contrasto per ridurre al minimo il rischio di embolizzazione dell'arteria.** Trattare il trombo residuo ripetendo i passaggi 11-14 sino all'ottenimento di una rimozione dei trombi accettabile.
16. Somministrare un anestetico locale nel sito dell'iniezione se è stato scelto l'inserimento di una guaina arteriosa. Preparare e posizionare la guaina di introduzione arteriosa in base al protocollo dell'ospedale. La guaina arteriosa deve essere direzionata verso l'anastomosi dell'arteria. **Precauzione: Le punte della guaina arteriosa e venosa non devono sovrapporsi.**
17. Sostenere la punta flessibile fra il pollice e l'indice durante l'inserimento attraverso la valvola della guaina. Inserire il dispositivo coperto attraverso la guaina arteriosa nel lembo arterioso della fistola o dell'innesto.
18. In un innesto, fare avanzare la punta flessibile sino all'anastomosi arteriosa. **Avvertenza: Non farla avanzare oltre l'anastomosi.** In una fistola, fare avanzare la punta flessibile sino all'estensione più centrale del coagulo. Scoprire il filo sinuoso sbloccando, facendo completamente rientrare e ruotando la leva scorrevole sino ad udire un "clic". Verificare il posizionamento del dispositivo all'interno della fistola o dell'innesto mediante guida fluoroscopica. Premere l'interruttore di accensione/spegnimento per attivare la rotazione.
19. Con il dispositivo attivato, estrarre lentamente il filo sinuoso rotante, nella posizione scoperta, lungo l'innesto o la fistola per sciogliere il coagulo. **Avvertenza: Si raccomanda una velocità di ritiro di 1-2 cm/secondo quando si incontrano raggi stretti.** Quando il filo sinuoso raggiunge la punta della guaina arteriosa, rilasciare l'interruttore per disattivare il rotatore.
20. Coprire il dispositivo e rimuoverlo dall'innesto o dalla fistola. Irrorare il lume del catetere con soluzione salina eparinizzata e rimuovere manualmente gli accumuli di fibrina dal filo sinuoso.
21. Aspirare il coagulo macerato utilizzando la guaina e gettare l'aspirato. **Precauzione: Un'aspirazione continua senza successo può causare il collasso della guaina e dell'innesto/fistola.**
22. Far passare un catetere adeguato attraverso la guaina arteriosa, e farlo scorrere con attenzione oltre l'anastomosi arteriosa dell'innesto o della fistola. Gonfiare il palloncino, nel caso di un catetere a palloncino. Tirare il tappo arterioso al centro del lembo arterioso. Sgonfiare il palloncino e rimuovere il catetere a palloncino.
23. Reinserire il dispositivo CLEANER 15™ coperto attraverso la guaina arteriosa nel lembo arterioso dell'innesto o della fistola.
24. Scoprire il filo sinuoso ed attivare il dispositivo per rompere il tappo sull'arteria, utilizzando un mezzo di contrasto per guidare la macerazione.
25. Coprire il dispositivo e rimuoverlo dall'innesto o dalla fistola. Irrorare il lume del catetere con soluzione salina eparinizzata e rimuovere manualmente gli accumuli di fibrina dal filo sinuoso.
26. Aspirare il coagulo macerato attraverso la guaina e gettare l'aspirato.
27. Iniettare contrasto per valutare il grado di rimozione dei trombi. Trattare i trombi residui utilizzando CLEANER 15™ attraverso una guaina, secondo necessità.
28. Una volta completata la rimozione del trombo, trattare ogni malattia di base o la stenosi secondo il protocollo dell'ospedale.
29. Eseguire il fistulogramma finale.
30. Rimuovere le guaine dalla fistola o dall'innesto.
31. Ottenere l'emostasi del/i sito/i di puntura secondo il protocollo dell'ospedale.

AVVERTENZA:

Esclusivamente monouso. Non riutilizzare, ricondizionare o risterilizzare. Il riutilizzo, il ricondizionamento o la risterilizzazione possono compromettere l'integrità strutturale del dispositivo e/o determinarne la rottura con conseguente pericolo di lesioni, malattia o morte per il paziente. Il riutilizzo, il ricondizionamento o la risterilizzazione possono anche determinare un rischio di contaminazione del dispositivo e/o causare al paziente infezione o infezione incrociata, inclusa, in via limitativa ma non esaustiva, la trasmissione di malattie/infezioni da un paziente all'altro. La contaminazione del dispositivo può causare lesione, malattia o morte del paziente.

CONSERVAZIONE:

Conservare a temperatura ambiente controllata. Non esporre a solventi organici, radiazione ionizzante o luce ultravioletta.

SMALTIMENTO:

Smaltire il catetere in conformità alla direttiva sui rifiuti di apparecchiature elettriche ed elettroniche (RAEE) e secondo le procedure standard dell'Istituto per i rifiuti sanitari inclusi i dispositivi monouso a contatto con il sangue.

ESCLUSIONE DI GARANZIA E LIMITAZIONE DEI RIMEDI:

Non esistono garanzie espresse o implicite, incluse senza limitazione le garanzie implicite di commerciabilità e idoneità a uno scopo particolare, per i prodotti Argon Medical descritti nel presente manuale. In nessun caso Argon Medical potrà essere ritenuta responsabile per qualsivoglia danno diretto, incidentale o consequenziale a parte quanto espressamente previsto da leggi specifiche. Nessuna persona ha l'autorità di vincolare Argon Medical in relazione ad alcuna dichiarazione o garanzia ad esclusione di quanto previsto nelle presenti condizioni.

Descrizioni o specifiche contenute in materiale stampato di Argon Medical, inclusa la presente pubblicazione, sono esclusivamente intese a descrivere in modo generale il prodotto al momento della fabbricazione e non costituiscono una garanzia esplicita.

Argon Medical non sarà responsabile per alcun danno diretto, incidentale o consequenziale risultante dal riutilizzo del prodotto.



E353911

MEDICAL — GENERAL MEDICAL EQUIPMENT
AS TO ELECTRICAL SHOCK, FIRE AND MECHANICAL HAZARDS ONLY
IN ACCORDANCE WITH IEC60601-1 3rd Ed. & CAN/CSA-C22.2
NO. 60601.1 (2008), AAMI ES 60601-1:2008
4CR3



Il glossario dei simboli è disponibile in formato elettronico all'indirizzo
www.argonmedical.com/symbols



EMERGO EUROPE
Westervoortsedijk 60
6827 AT Arnhem
The Netherlands
+31 70 345 8570



ARGON MEDICAL DEVICES, INC.
1445 Flat Creek Road
Athens, Texas 75751 USA
Tel: +1 (903) 675 9321
Tel: +1 (800) 927 4669
www.argonmedical.com



Emergo Consulting (UK) Limited
c/o Cr 360 - UL International
Compass House, Vision Park Histon
Cambridge CB24 9BZ
United Kingdom

CLEANER 15™

Rotational Thrombectomy System

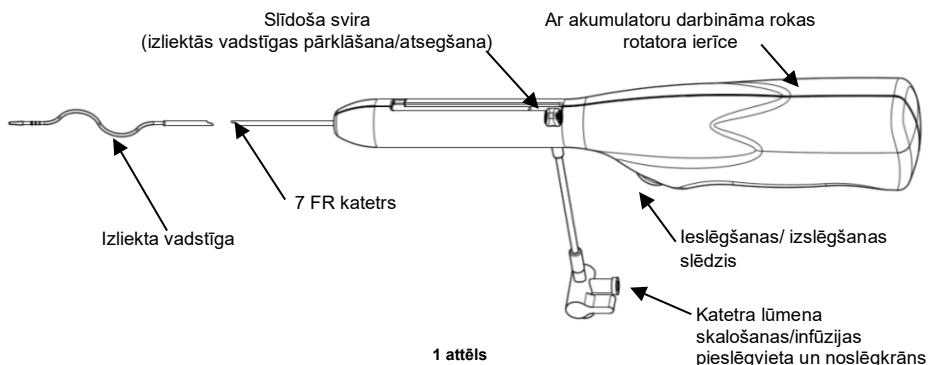
Latvian - Pirms lietošanas jāizlasa visi norādījumi

lappuses

Lietošanas norādījumi perifēro asinsvadu sistēmā.....	1-4
Lietošanas norādījumi ar transplantātiem un fistulām.....	5-6

IERĪCES APRAKSTS

CLEANER 15™ rotējošā trombektomijas sistēma ir 7 FR sistēma ar zemādas katetru (viengabala konstrukcija). Vienu reizi lietojama, rokā turama, ar akumulatoru darbināma rotatora ierīce ir pieslēgta izliektai vadstīgai, kas griežas aptuveni ar 4000 apgriezieniem minūtē. Vadstīga un atraumatiskais mīksts galiņš ir rentgenkontrastains, lai to varētu redzēt rentgenoskopijā.



LIETOŠANAS INDIKĀCIJAS

CLEANER 15™ rotējošo trombektomijas sistēmu ir paredzēts lietot mehāniskai atdalīšanai no recekļiem un ārsta noteiktu šķidrumu kontrolētai un selektīvai infūzijai, tostarp trombolītiskai terapijai, perifēro asinsvadu sistēmā.

KONTRINDIKĀCIJAS

CLEANER 15™ rotējošā trombektomijas sistēma ir kontrindicēta šādos gadījumos:

- sistēma ir kontrindicēta, ja, pēc ārsta lēmuma, šādas procedūras izmantošana var pasliktināt pacienta stāvokli;
- nav paredzēta perifēro asinsvadu sistēmas dilatācijai;
- šī sistēma nav paredzēta asins vai asins produktu pārīšanai;
- indikācijas, kontrindikācijas, blaknes un piesardzības pasākumus skatiet izstrādājumam pievienotajā informācijā;
- paša pacienta asinsvados, kas ir mazāki par 6 mm diametrā;
- pacientiem bez tādiem asinsvadu sistēmas filtriem kā apakšējās dobās vēnas filtrs.

Perifēro asinsvadu sistēma

BRĪDINĀJUMI UN PIESARDZĪBAS PASĀKUMI

- Pirms lietošanas izlasiet visus brīdinājumus, piesardzības pasākumus un norādījumus iepakojumā pievienotajā informācijā. Ja tā nerīkojas, pacientam var tikt izraisīti smagi savainojumi un iestāties nāve.
- Šīs procedūras drīkst veikt tikai ārsti un darbinieki, kas pārzina aprīkojumu un saistītās metodes. Ierīce ir sterilizēta ar EtO un, ja iepakojums nav atvērts vai bojāts, ir sterila. Pirms lietošanas iepakojums ir jāizpēta; ja tas ir bojāts, **NELIETOJIET**. Ierīce ir paredzēta lietošanai tikai vienam pacientam; **NELIETOJIET UN NESTERILIZĒJIET ATKĀRTOTI**.
- Pirms lietošanas rūpīgi izpētiet CLEANER 15™ rotējošo trombektomijas sistēmu, lai pārliecinātos, vai tā nav bojāta transportēšanas laikā. Ja izstrādājuma sastāvdaļām ir redzamas kādas bojājumu pazīmes, **NELIETOJIET**.
- Tā kā pastāv inficēšanās risks ar HIV (cilvēka imūndeficīta vīrus) vai ar citiem patogēniem mikroorganismiem, kas tiek pārnēsāti ar asinīm, veselības aprūpes darbiniekiem ir regulāri jāveic vispārpieņemti piesardzības pasākumi attiecībā uz asinīm un ķermeņa šķidrumiem. Strādājot ar ierīci, ir stingri jāievēro sterilitāte.
- Neturpiniet procedūru, ja saskaraties ar pretestību, vispirms nosakot pretestības cēloni ar rentgenoskopijas palīdzību un veicot vajadzīgās korektīvās darbības. Pārmērīga spēka pielietošana pret pretestību var sabojāt ierīci un traumēt asinsvadu sistēmu.
- Pirms ievadīšanas un katru reizi, izņemot CLEANER 15™ ierīci no asinsvadu sistēmas, katetrs ir jāizskalo.
- Ja katetrs vai vadstīga samezģojas vai tiek citādā veidā bojāti lietošanas laikā, pārtrauciet lietošanu un nomainiet ierīci.
- Ārstiem ir jābrīdina ar iespējamām komplikācijām, kas saistītas ar perifēro asinsvadu sistēmas trombolīzi, tostarp:
 - Asinsvadu pārduršana vai plīsumi
 - Asinsvadu spazmas
 - Hematoma
 - Sēpse/infekcija
 - Intīmas pārplīšana
 - Asinsvadu tromboze
 - Alerģiska reakcija uz kontrastvielu
 - Trombembolijas epizodes
 - Asins recekļu izraisīta distāla embolizācija
 - Asiņošana
 - Sāpes un jutīgums
 - Tromboflebīts
 - Artēriju disekcija
 - Reakcija uz zālēm
 - Arteriovenoza fistula
 - Amputācija
- Ja CLEANER 15™ ierīci lieto ilgstoši, var rasties CLEANER 15™ izliktās vadstīgas izmaiņas materiālu nolietojšanās dēļ. Sastopoties ar asu rādiusu (t.i., cilpveida transplantāta vai fistulas rādiuss < 3 cm), ieteicama izvilšana ar ātrumu 1-2 cm/sekundē.

IETEICAMĀ PROCEDŪRA

Ievērojiet sterilitāti.

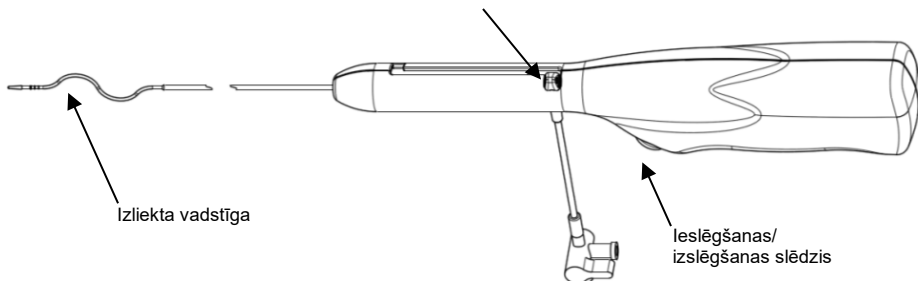
Pacienta sagatavošana

1. Veiciet premedikāciju, izmantojot atbilstošu anksiolītiskus, analgētiskus līdzekļus un/vai antibiotikas atbilstoši slimnīcas protokolam.

Ierīces darbības pārbaude

2. Izņemiet CLEANER 15™ rotējošo trombektomijas sistēmu no iepakojuma. Nospiediet ieslēgšanas/izslēgšanas slēdzi, lai pārliecinātos, vai izliktā vadstīga brīvi griežas (skatiet 2. attēlu). Atlaidiet slēdzi, lai apturētu rotatoru. **Ievērojiet piesardzību: nelietojiet ierīci, ja tā neieslēdzas tūlīt pēc slēdža nospiešanas un neizslēdzas tūlīt pēc slēdža atlaišanas.**

Slīdoša svira



2. attēls

3. Katetra skalošanas pieslēgvietā ievietojiet šļirci ar ārstniecisko līdzekli vai ar fizioloģisko šķīdumu, kam pievienots heparīns un izskalojiet CLEANER 15™ katetru. Šķīdumam ir jāplūst no vistālākās katetra atveres, kas atrodas pie katetra gala. Noslēdziet noslēgkrānu, lai "noblokētu" ārstniecisko līdzekli vai fizioloģisko šķīdumu, kam katetrā pievienots heparīns, un izņemiet šļirci.

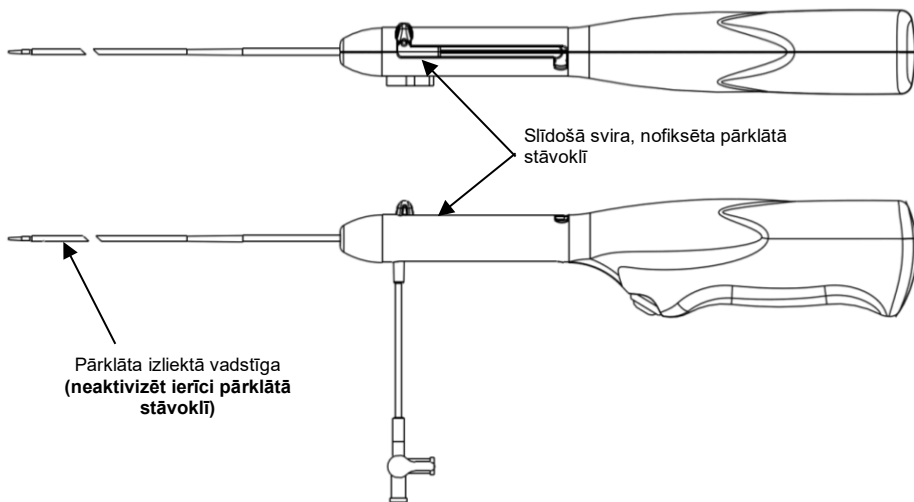
Terapija

Perifēro asinsvadu sistēma

Precīzo terapijas procedūru nosaka ārsts. Tālāk ir aprakstīts, kā var veikt procedūru.

4. Procedūru veiciet nepārtrauktas rentgenoskopijas kontrolē. Sāciet izliktās vadstīgas rotāciju (aktivizējiet ierīci) tikai tad, kad esat pārliecinājušies par pareizu ierīces ievietošanu perifēro asinsvadu sistēmā.
5. Pēc vajadzības sagatavojiet un pārkļājiēt punkcijas vietu.
6. Veiciet lokālu anestēziju punkcijas vietā, lai ievadītu vēnas ievadapvalku.
7. CLEANER 15™ katetram un citām ierīcēm/katetriem, kas var tikt izmantoti procedūrā, izvēlieties piemērota izmēra ievadapvalku. Maksimālais vadstīgas izmērs ir atkarīgs no izvēlētajā ievadapvalka/dilatatora komplekta. Ja šķērso iegurņa asinsvadu bifurkāciju, var izmantot garu armētu ievadapvalku.
8. Sagatavojiet un ievietojiet vēnas ievadapvalku atbilstoši slimnīcas protokolam. Vēnas ievadapvalks ir jāievieto perifēro asinsvadu sistēmas vēnas zarā un jāvirza procedūras vietas virzienā. Vēnas ievadapvalku var ievadīt pēc nepieciešamības, atkarībā no recekļu apjoma asinsvadā.
9. Ievietojiet ierīci pārkļātā stāvoklī, virzot slidošo sviru distālā pozīcijā un griežot slidošo sviru, lai nofiksētu to pārkļātā stāvoklī (skatiet 3. attēlu). Kad ierīce ir pārkļātā stāvoklī, no katetra ir jāizvirzās tikai izliktās vadstīgas elastīgajam galiņam. **Brīdinājums: pārkļātajā stāvoklī ierīci nedrīkst aktivizēt.**
10. Satveriet elastīgo galiņu starp īkšķi un rādītājpirkstu, ievadot to caur ievadapvalka vārstu. Ievietojiet pārkļāto ierīci caur vēnas ievadapvalku perifēro asinsvadu sistēmas vēnas zarā.
11. Pievienojiet noslēgkrānam 10 kubikcentimetru tilpuma šļirci, kurā ir infūzijai paredzēts ārstnieciskais līdzeklis. Atgrieziet noslēgkrānu, lai aktivizētu plūsmu. **Brīdinājums: neiesūciet asinis atpakaļ katetrā.**

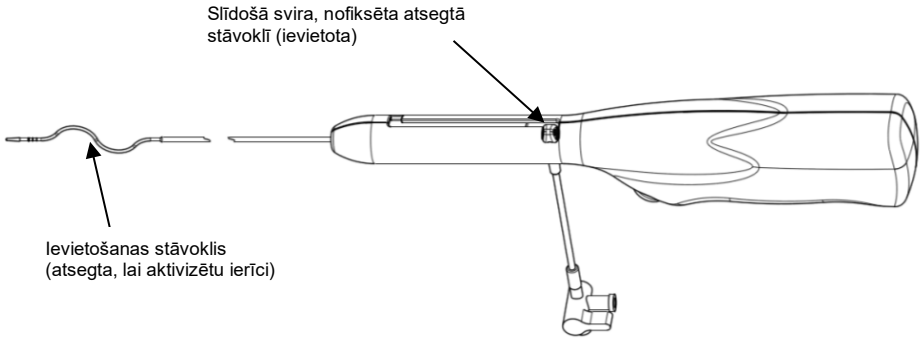
Piezīme: ievērojiet ražotāja norādījumus attiecībā uz noteikto šķidrumu atšķaidīšanu.



3. attēls

12. Virziet elastīgo galiņu līdz recekļa tālākā gala lielākajam apjomam. Atsedziet izliktu vadstīgu, atbloķējot, līdz galam ievielkot slidošo sviru un griežot slidošo sviru, līdz ir dzirdams klikšķis (skatiet 4. attēlu). Ar rentgenoskopijas palīdzību pārliecinieties par ierīces ievietošanu procedūras vietā. Nospiediet ieslēgšanas/izslēgšanas slēdzi, lai aktivizētu rotāciju.

Perifēro asinsvadu sistēma



4. attēls

13. Kad ierīce ir aktivizēta, lēni izvelciet rotējošo izliekto vadstīgu no procedūras vietas, ievadot ārstniecisko līdzekli caur infūzijas pieslēgvietu, lai izšķīdinātu recekli. **Brīdinājums: kad rādīuss ir ass, ieteicamais izvilkšanas ātrums ir 1-2 cm/sekundē.** Kad izliektā vadstīga sasniedz vēnas ievadapvalka galu, atlaidiet slēdzi, lai izslēgtu rotējošo dispersijas vadstīgu.
14. Pārklājiet ierīci un izņemiet to no perifēro asinsvadu sistēmas. Izskalojiet katetra lūmenu ar fizioloģisko šķīdumu, kam pievienots heparīns, un manuāli likvidējiet no izliektās vadstīgas palikušo fibrīnu.
15. Aspirējiet izmiekskēto recekli caur ievadapvalku un likvidējiet aspirēto vielu. **Ievērojiet piesardzību: vairākkārtējas neveiksmīgas aspirācijas rezultātā ievadapvalks un asinsvads var saplīst.**
16. Injicējiet nelielu kontrastvielas daudzumu caur vēnas ievadapvalku, lai izvērtētu trombu izvilkšanas apjomu. **Brīdinājums: lai samazinātu embolizācijas risku, neinjicējiet pārāk daudz kontrastvielas.** Izvelciet atlikušos trombus, atkārtojot no 11. līdz 15. darbībai, līdz ir sasniegts pieņemams trombu izvilkšanas apjoms.
17. Kad trombu izvilkšana ir pabeigta, veiciet pamatslimības vai stenozes terapiju, atbilstoši slimnīcas protokolam.
18. Veiciet pēdējo angiogrāfiju.
19. Izvelciet ievadapvalkus no perifēro asinsvadu sistēmas.
20. Nodrošiniet hemostāzi punkcijas vietā(-s), atbilstoši slimnīcas protokolam.

Transplantāti un fistulas

LIETOŠANAS INDIKĀCIJAS

CLEANER 15[™] rotējošā trombektomijas sistēma ir paredzēta paša pacienta asinsvada dialīzes fistulu un sintētiskas dialīzes piekļuves transplantātu mehāniskai atdalīšanai.

KONTRINDIKĀCIJAS

CLEANER 15[™] rotējošā trombektomijas sistēma ir kontraindicēta šādos gadījumos:

- ja, pēc ārsta lēmuma, šādas procedūras izmantošana var pasliktināt pacienta stāvokli;
- paša pacienta asinsvados, kas ir mazāki par 6 mm diametrā;
- ir infekcija hemodialīzes piekļuves vietā,
- nenobriedušas paša pacienta asinsvada dialīzes fistulas (fistulas, kas nav izmantotas vismaz vienā hemodialīzē).

BRĪDINĀJUMI UN PIESARDZĪBAS PASĀKUMI

- Pirms lietošanas izlasiet visus brīdinājumus, piesardzības pasākumus un norādījumus iepakojumā pievienotajā informācijā. Ja tā nerīkojas, pacientam var tikt izraisīti smagi savainojumi un iestāties nāve.
- Šīs procedūras drīkst veikt tikai ārsti un darbinieki, kas pārzina aprīkojumu un saistītās metodes. Ierīce ir sterilizēta ar ETO un, ja iepakojums nav atvērts vai bojāts, ir sterila. Pirms lietošanas iepakojums ir jāizpēta; ja tas ir bojāts, **NELIETOJIET**. Ierīce ir paredzēta lietošanai tikai vienam pacientam; **NELIETOJIET UN NESTERILIZĒJIET ATKĀRTOTI**.
- Pirms lietošanas rūpīgi izpētiet CLEANER 15[™] rotējošo trombektomijas sistēmu, lai pārliecinātos, vai tā nav bojāta transportēšanas laikā. Ja izstrādājuma sastāvdaļām ir redzamas kādas bojājumu pazīmes, **NELIETOJIET**.
- Tā kā pastāv inficēšanās risks ar HIV (cilvēka imūndeficīta vīrus) vai ar citiem patogēniem mikroorganismiem, kas tiek pārnēsāti ar asinīm, veselības aprūpes darbiniekiem ir regulāri jāveic vispārpieņemti piesardzības pasākumi attiecībā uz asinīm un ķermeņa šķidrumiem. Strādājot ar ierīci, ir stingri jāievēro sterilitāte.
- Ārstiem ir jābrīdina ar iespējamām komplikācijām, kas saistītas ar dialīzes fistulu un trombolīzi transplantātā, tostarp:
 - Asiņošana
 - Simptomātiska plaušu embolija
 - Artēriju embolizācija
 - Alerģiska reakcija uz kontrastvielu
 - Pseudoaneirisma
 - Sāpes un/vai jutīgums
 - Asinsvada pārplīšana
 - Infekcija
 - Artērijas vai vēnas pārslēšana
 - Hematoma
 - Nāve
- Lai samazinātu artēriju embolizācijas risku, atbrīvojot recekli pie artēriju anastomozes, ir jāievēro piesardzība.
- Ar hemodialīzes pacientiem saistītās ekstrācijas trūkuma dēļ kontrastvielas izmantošana šīs procedūras laikā ir jāsamazina līdz minimumam.
- Ja CLEANER 15[™] ierīci lieto ilgstoši, var rasties CLEANER 15[™] izliktās vadstīgas izmaiņas materiālu nolietojšanās dēļ. Sastopoties ar asu rādīsu (t.i., cilpveida transplantāta vai fistulas rādīss < 3 cm), ieteicama izvilksana ar ātrumu 1-2 cm/sekundē.

IETEICAMĀ PROCEDŪRA

Ievērojiet sterilitāti.

Pacienta sagatavošana

1. Veiciet premedikāciju, izmantojot atbilstošus anksiolītiskus, analgētiskus līdzekļus un/vai antibiotikas atbilstoši slimnīcas protokolam.

Ierīces darbības pārbaude

2. Izņemiet CLEANER 15[™] rotējošo trombektomijas sistēmu no iepakojuma. Nospiediet ieslēgšanas/izslēgšanas slēdzi, lai pārliecinātos, vai izliktā vadstīga brīvi griežas (skatiet 2. attēlu). Atļaidiet slēdzi, lai apturētu rotoru. **Ievērojiet piesardzību: nelietoiet ierīci, ja tā neieslēdzas tūlīt pēc slēdža nospiešanas un neizslēdzas tūlīt pēc slēdža atlaišanas.**
3. Caur katetra lūmena skalošanas pieslēgvietu izskalojiet CLEANER 15[™] katetru ar fizioloģisko šķīdumu, kam pievienots heparīns. Pirms šīs darbības pagrieziet noslēgkrānu noslēgtā stāvoklī.

Trombolīzes procedūra

4. Nepārtrauktas rentgenoskopijas kontrolē veiciet CLEANER 15[™] trombolīzes procedūru. Sāciet izliktās vadstīgas rotāciju (aktivizējiet ierīci) tikai tad, kad esat pārliecinājušies par pareizu ierīces ievietošanu fistulā vai transplantātā.
5. Pēc vajadzības sagatavojiet un pārkļājiert punkcijas vietu.
6. Veiciet lokālu anestēziju punkcijas vietā, lai ievadītu vēnas ievadapvalku.
7. CLEANER 15[™] katetru un citām ierīcēm/katetriem, kas var tikt izmantoti procedūrā, izvēlieties piemērota izmēra ievadapvalku. Maksimālais vadstīgas izmērs ir atkarīgs no izvēlētajā ievadapvalka/dilatatora komplekta.
8. Sagatavojiet un ievietojiet vēnas ievadapvalku atbilstoši slimnīcas protokolam. Vēnas ievadapvalks ir jāievieto transplantāta vēnas zarā un jāvirza venozās anastomozes virzienā. Fistulās vēnas ievadapvalku var ievadīt pēc nepieciešamības, atkarībā no recekļu apjoma asinsvadā. Ja tiek izmantots vēnas ievadapvalks, tas ir jāievieto fistulas vēnas zarā un jāvirza centrālās venozās plūsmas virzienā. Piezīme: ja AV fistulā neizmanto vēnu ievadapvalku, veiciet 16. darbību.

Transplantāti un fistulas

9. Ievietojiet ierīci pārklātā stāvoklī, virzot slīdošo sviru distālā pozīcijā un griežot slīdošo sviru, lai nofiksētu no pārklātā stāvoklī (skatiet 3. attēlu). Kad ierīce ir pārklātā stāvoklī, no katetra ir jāizvirzās tikai izliktās vadstīgas elastīgajam galiņam. Pārklātajā stāvoklī ierīci nedrīkst aktivizēt.
10. Satveriet elastīgo galiņu starp īkšķi un rādītājpirkstu, ievadot to caur ievadapvalka vārstu. Ievietojiet pārklāto ierīci caur vēnas ievadapvalku fistulas vai transplantāta vēnas zarā.
11. Transplantātā virziet elastīgo galiņu venozās anastomozes virzienā. **Brīdinājums: nevirziet to aiz anastomozes.** Fistulā virziet elastīgo galiņu līdz recekļa centra lielākajam apjomam. Atsedziet izlikto vadstīgu, atbloķējot, līdz galam ievēkot slīdošo sviru un griežot slīdošo sviru, līdz ir dzirdams klikšķis (skatiet 4. attēlu). Ar rentgenoskopijas palīdzību pārliecinieties par ierīces ievietošanu fistulā vai transplantātā. Nospiediet ieslēgšanas/izslēgšanas slēdzi, lai aktivizētu rotāciju.
Piezīme: atsedzot vadstīgu, ir jābūt piesardzīgiem, lai nepieļautu vadstīgas virzīšanu recekli un cauri anastomozei.
12. Kad ierīce ir aktivizēta, lēni izvelciet rotējošo izlikto vadstīgu no transplantāta vai fistulas, lai izšķīdinātu recekli. **Brīdinājums: kad rādīuss ir ass, ieteicamais izvilkšanas ātrums ir 1-2 cm/sekundē.** Kad izliktā vadstīga sasniedz vēnas ievadapvalka galu, atļaidiet slēdzi, lai izslēgtu rotatoru.
13. Pārklājiet ierīci un izņemiet to no transplantāta vai fistulas. Izskalojiet katetra lūmenu ar fizioloģisko šķīdumu, kam pievienots heparīns, un manuāli likvidējiet no izliktās vadstīgas palikušo fibrīnu.
14. Aspirējiet izmiekskēto recekli caur ievadapvalku un likvidējiet aspirēto vielu. **Ievērojiet piesardzību: vairākkārtējas neveiksmīgas aspirācijas rezultātā ievadapvalks un transplantāts/fistula var saplīst.**
15. Injicējiet nelielu kontrastvielas daudzumu caur vēnas ievadapvalku, lai izvērtētu trombu izvilkšanas apjomu. **Brīdinājums: lai samazinātu artēriju embolizācijas risku, neinjicējiet pārāk daudz kontrastvielas.** Izvelciet atlikušos trombus, atkārtotot no 11. līdz 14. darbībai, līdz ir sasniegts pieņemams trombu izvilkšanas apjoms.
16. Veiciet lokālu anestēziju punkcijas vietā, lai ievadītu artērijas ievadapvalku. Sagatavojiet un ievietojiet artērijas ievadapvalku atbilstoši slimnīcas protokolam. Artērijas ievadapvalks ir jāvirza artērijas anastomozes virzienā. **Ievērojiet piesardzību: artēriju un vēnu ievadapvalku galiņi nedrīkst pārklāties.**
17. Satveriet elastīgo galiņu starp īkšķi un rādītājpirkstu, ievadot to caur ievadapvalka vārstu. Ievietojiet pārklāto ierīci caur artērijas ievadapvalku fistulas vai transplantāta artērijas zarā.
18. Transplantātā virziet elastīgo galiņu artērijas anastomozes virzienā. **Brīdinājums: nevirziet to aiz anastomozes.** Fistulā virziet elastīgo galiņu līdz recekļa centra lielākajam apjomam. Atsedziet izlikto vadstīgu, atbloķējot, līdz galam ievēkot slīdošo sviru un griežot slīdošo sviru, līdz ir dzirdams klikšķis. Ar rentgenoskopijas palīdzību pārliecinieties par ierīces ievietošanu fistulā vai transplantātā. Nospiediet ieslēgšanas/izslēgšanas slēdzi, lai aktivizētu rotāciju.
19. Kad ierīce ir aktivizēta, lēni izvelciet rotējošo izlikto vadstīgu atsegtā stāvoklī no transplantāta vai fistulas, lai izšķīdinātu recekli. **Brīdinājums: kad rādīuss ir ass, ieteicamais izvilkšanas ātrums ir 1-2 cm/sekundē.** Kad izliktā vadstīga sasniedz artērijas ievadapvalka galu, atļaidiet slēdzi, lai izslēgtu rotatoru.
20. Pārklājiet ierīci un izņemiet to no transplantāta vai fistulas. Izskalojiet katetra lūmenu ar fizioloģisko šķīdumu, kam pievienots heparīns, un manuāli likvidējiet no izliktās vadstīgas palikušo fibrīnu.
21. Aspirējiet izmiekskēto recekli caur ievadapvalku un likvidējiet aspirēto vielu. **Ievērojiet piesardzību: vairākkārtējas neveiksmīgas aspirācijas rezultātā ievadapvalks un transplantāts/fistula var saplīst.**
22. Virziet piemērotu katetru caur artērijas ievadapvalku un uzmanīgi izvadiet to gar transplantāta vai fistulas artēriju anastomozī. Ja tas ir balonkatetrs, piepildiet balonu. Izvelciet artērijas recekli artērijas zara vidū. Izlaidiet gaisu no balona un izvelciet balonkatetru.
23. Vēlreiz ievietojiet CLEANER 15™ pārklāto ierīci caur artērijas ievadapvalku fistulas vai transplantāta artērijas zarā.
24. Atsedziet izlikto vadstīgu un aktivizējiet ierīci, lai izšķīdinātu recekli artērijā, izmantojot kontrastvielu, lai vadītu izmiekskēšanu.
25. Pārklājiet ierīci un izņemiet to no transplantāta vai fistulas. Izskalojiet katetra lūmenu ar fizioloģisko šķīdumu, kam pievienots heparīns, un manuāli likvidējiet no izliktās vadstīgas palikušo fibrīnu.
26. Aspirējiet izmiekskēto recekli caur ievadapvalku un likvidējiet aspirēto vielu.
27. Injicējiet kontrastvielu, lai izvērtētu trombu izvilkšanas apjomu. Izvelciet atlikušos trombus, izmantojot CLEANER 15™ caur jebkuru ievadapvalku pēc vajadzības.
28. Kad trombu izvilkšana ir pabeigta, veiciet pamatslimības vai stenozes terapiju, atbilstoši slimnīcas protokolam.
29. Veiciet pēdējo fistulogrammu.
30. Izvelciet ievadapvalkus no fistulas vai transplantāta.
31. Nodrošiniet hemostāzi punkcijas vietā(-s), atbilstoši slimnīcas protokolam.

BRĪDINĀJUMS:

lietošanai tikai vienu reizi. Šo ierīci nedrīkst izmantot atkārtoti, pārstrādāt un atkārtoti sterilizēt. Atkārtota izmantošana, pārstrāde un atkārtota sterilizācija var pasliktināt ierīces strukturālo viengabalainību un/vai izraisīt ierīces atteici, kas, savukārt, var izraisīt pacienta savainojumus, saslimšanu vai nāvi. Atkārtota izmantošana, pārstrāde un atkārtota sterilizācija var arī izraisīt ierīces piesārņojuma risku un/vai izraisīt infekciju vai infekcijas pārnesi pacientam, ietverot, bet neierobežojoties ar infekcijas slimības(-u) pārnesi no viena pacienta citam pacientam. Ierīces piesārņojums var izraisīt pacienta savainojumus, saslimšanu vai nāvi.

GLABĀŠANA

Glabāt kontrolētā istabas temperatūrā. Nedrīkst pakļaut organisku šķīdinātāju, jonizējošā starojuma vai ultravioletā starojuma iedarbībai.

UTILIZĀCIJA

Izīciniet katru sistēmu atbilstoši direktīvai par elektrisko un elektronisko iekārtu atkritumiem (EEIA) un saskaņā ar iestāžu medicīnisko atkritumu, tostarp vienu reizi lietojamu ierīču, kas saskaras ar asinīm, standarta procedūram.

GARANTIJAS UN ATLĪDZINĀJUMA IEROBEŽOJUMA ATRUNA

Šajā izdevumā aprakstītajam(-iem) Argon Medical izstrādājumam(-iem) nav skaidri izteiktas pārdevēja vai netieši norādītas garantijas, ietverot bez ierobežojumiem izteiktas un netieši norādītas garantijas par izstrādājuma komerciālo derīgumu vai piemērotību noteiktam nolūkam. Uzņēmums Argon Medical nekādos apstākļos neatbild par jebkādiem tiešiem, nejausiem vai izrietošiem bojājumiem, kā vien tiem, ko tiešā veidā nosaka konkrēts likums. Nevienam nav tiesību uzlikt par pienākumu uzņēmumam Argon Medical nodrošināt jebkādu pārstāvību vai garantiju, izņemot to, kas konkrēti noteikta šajā izdevumā.

Uzņēmuma Argon Medical iespēstā saturā, tostarp šā izdevuma, apraksti un specifikācijas ir paredzētas vienīgi, lai sniegtu vispārīgu izstrādājuma aprakstu izlaišanas brīdī, un tajos nav sniegta nekāda pārdevēja garantija.

Uzņēmums Argon Medical neatbild ne par kādiem tiešiem, nejausiem vai izrietošiem bojājumiem, kas radušies izstrādājuma atkārtotas lietošanas dēļ.



MEDICAL — GENERAL MEDICAL EQUIPMENT
AS TO ELECTRICAL SHOCK, FIRE AND MECHANICAL HAZARDS ONLY
IN ACCORDANCE WITH IEC60601-1 3rd Ed. & CAN/CSA-C22.2
NO. 60601.1 (2008), AAMI ES 60601-1:2008
4CR3



Simbolu glosārijs ir atrodams elektroniskā veidā vietnē
www.argonmedical.com/symbols



EMERGO EUROPE
Westervoortsedijk 60
6827 AT Arnhem
The Netherlands
+31 70 345 8570



ARGON MEDICAL DEVICES, INC.
1445 Flat Creek Road
Athens, Texas 75751 USA
Tel: +1 (903) 675 9321
Tel: +1 (800) 927 4669
www.argonmedical.com



Emergo Consulting (UK) Limited
c/o Cr 360 - UL International
Compass House, Vision Park Histon
Cambridge CB24 9BZ
United Kingdom

CLEANER 15™

Rotational Thrombectomy System

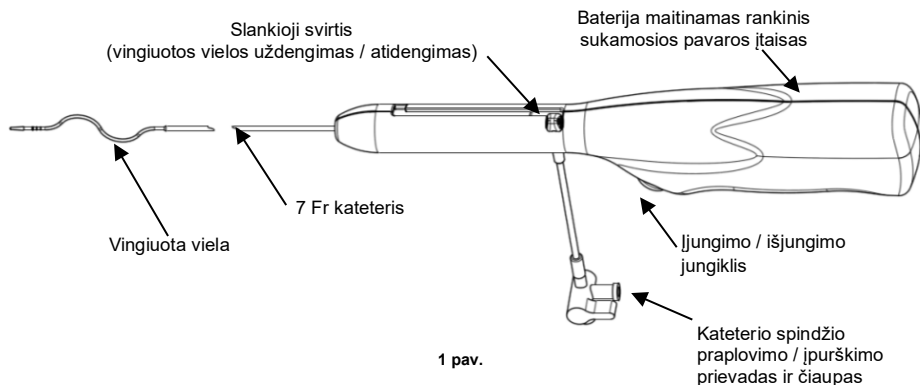
Lithuanian - Prieš naudojant reikia perskaityti visus nurodymus

pustapiai

Naudojimo periferinėse kraujagyslėse nurodymai	1-4
Naudojimo graftuose ir fistulėse nurodymai	5-6

PRIETAISO APRAŠYMAS

CLEANER 15™ Rotational Thrombectomy System – 7Fr poodinio kateterio sistema (vienos dalies konstrukcija). Vienkartinis, rankinis, baterija maitinamas sukamosios pavaros įtaisas pritvirtintas prie vingiuotos vielos, kuri sukasi apytikriai 4 000 aps./min. Vieta ir atraumatinis minkštas antgalis yra rentgenokontrastiniai ir naudojami vizualizuojant fluoroskopu.



NAUDOJIMO PASKIRTIS

CLEANER 15™ Rotational Thrombectomy System skirta krešuliams ir trombams mechaniškai pašalinti iš periferinių kraujagyslių, taip pat kontroliuojamu ir selektyviu būdu įpurkšti gydytojo paskirtus skysčius, įskaitant trombolitinius preparatus.

KONTRAINDIKACIJOS

CLEANER 15™ Rotational Thrombectomy System kontraindikuotina toliau nurodytais atvejais.

- Sistemos naudojimas kontraindikuotinas, jei, gydytojo nuomone, tokia procedūra gali pabloginti paciento būklę.
- Sistema nėra skirta periferinėms kraujagyslėms išplėsti.
- Sistema nėra skirta kraujui arba kraujo preparatams įpurkšti.
- Nurodymų, kontraindikacijų, šalutinių poveikių ir atsargumo priemonių ieškote pasirinkto terapinio sprendimo gaminio informaciniame lapelyje.
- Jei natūralių kraujagyslių skersmuo nesiekia 6 mm.
- Jei pacientas neturi kraujagyslių filtro, pvz., apatinės tuščiosios venos filtro.

Periferinės kraujagyslės

ĮSPĖJIMAI IR ATSARGUMO PRIEMONĖS

- Prieš naudodami perskaitykite visus įspėjimus, atsargumo priemones ir nurodymus, pateiktus informaciniame lapelyje. Neperskaičius nurodytos informacijos galimas sunkus paciento sužalojimas arba mirtis.
- Šias procedūras turi atlikti tik gydytojai ir darbuotojai, supažindinti su taikoma įranga ir metodais. Prietaisas sterilizuotas etileno dujomis ir yra sterilus, jei pakuotė neatidaryta ir nepažeista. Prieš naudojant reikia apžiūrėti pakuotę, jei ji pažeista – NENAUDOKITE. Prietaisas skirtas naudoti tik vieną kartą vienam pacientui; PAKARTOTINAI NENAUDOKITE IR NESTERILIZUOKITE.
- Prieš naudodami kruopščiai apžiūrėkite CLEANER 15™ Rotational Thrombectomy System ir įsitikinkite, kad jį nebuvo apgadinta gabenant. Jei gaminio komponentai atrodo apgadinti – NENAUDOKITE.
- Dėl ŽIV (žmogaus imunodeficitu virusu) arba kitų kraujuje esančių ligų sukėlėjų poveikio rizikos sveikatos apsaugos darbuotojai turėtų laikytis standartinių atsargumo priemonių dėl kraujo ir kraujo skysčių, prižiūradami visus pacientus. Dirbant prietaisu, reikia visada griežtai laikytis sterilių darbo metodų.
- Pajutę pasipriešinimą, toliau stumkite prietaisą tik nustatę pasipriešinimo priežastį fluoroskopu ir ėmęsi visų reikalingų koreguojamųjų veiksmų. Jėga stumiant prietaisą, kai juntamas pasipriešinimas, galima sugadinti prietaisą arba sužeisti kraujagysles.
- Prieš įvedant ir kiekvieną kartą ištraukus CLEANER 15™ iš kraujagyslių sistemos, kateterį reikia praplauti.
- Jei naudojant prietaisą kateteris arba kreipiamoji viela susisuka arba kitaip apgadunami, prietaiso nebenaudokite ir pakeiskite nauju.
- Gydytojai turi žinoti apie toliau nurodytas galimas komplikacijas, susijusias su periferinių kraujagyslių tromboze.
 - Kraujagyslių pradūrimas arba trūkis
 - Kraujagyslių spazmas
 - Hematoma
 - Kraujo užkrėtimas / infekcija
 - Intimos suardymas
 - Kraujagyslių trombozė
 - Alerginė reakcija į kontrastinę medžiagą
 - Tromboembolijos atvejai
 - Distalinė kraujo trombozė embolizacija
 - Kraujavimas
 - Skausmas ir jautrumas
 - Tromboflebitas
 - Arterijos perpjovimas
 - Reakcija į vaistus
 - Arterioveninė fistulė
 - Amputacija
- Naudojant CLEANER 15™ prietaisą ilgesnį laiką, galimas CLEANER 15™ vingiuotos vielos gedimas dėl nuovargio. Rekomenduojama traukti prietaisą 1–2 cm per sekundę, jei susiduriama su aštriu skersmeniu (t. y. kilpiniu graftu ar fistule, kurių skersmuo < 3 cm).

REKOMENDUOJAMA PROCEDŪRA

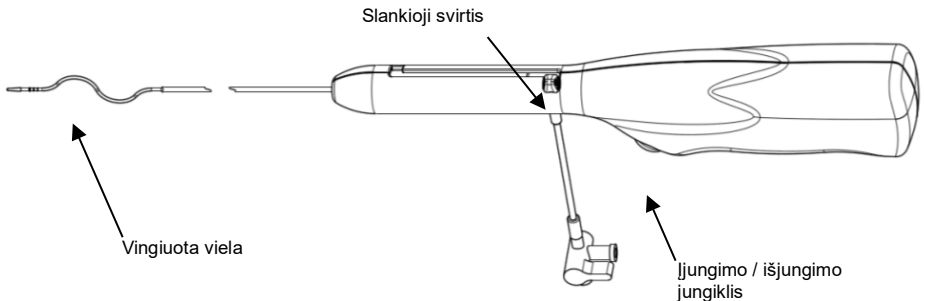
Dirbkite steriliai.

Paciento paruošimas

1. Atlikite medikamentinį paruošimą pagal ligininės protokolą, naudodami raminaamuosius, skausmą malšinančius ir (arba) antibiotinius preparatus.

Prietaiso eksploatacinių charakteristikų bandymas

2. Ištraukite CLEANER 15™ Rotational Thrombectomy System iš pakuotės. Nuspauskite įjungimo / išjungimo jungiklį, kad įsitikintumėte, jog vingiuota viela sukasi laisvai (žr. 2 pav.). Atleisdami jungiklį, sustabdykite sukamąjį įtaisą. **Atsargumo priemonė: nenaudokite prietaiso, jei nuspaudus jungiklį jis neįsijungia iš karto, o atleidus jungiklį neišsijungia iš karto.**



2 pav.

Periferinės kraujagyslės

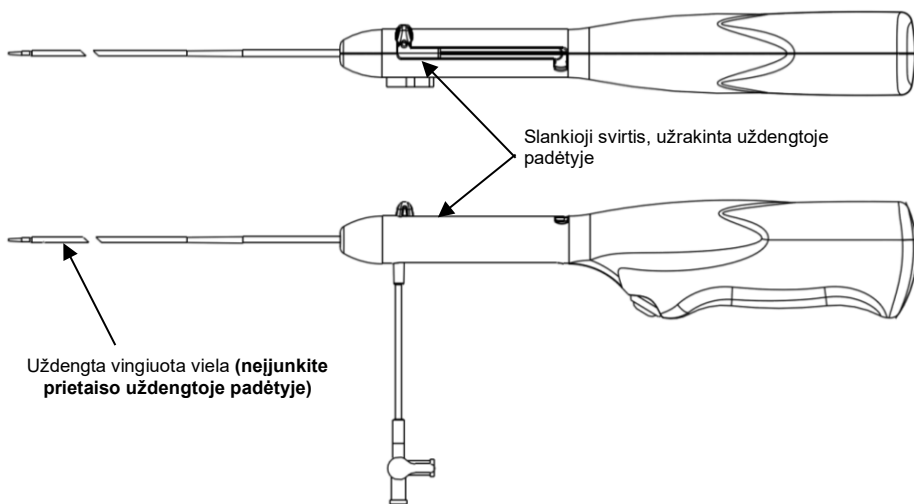
3. Prijunkite terapinės medžiagos arba heparinizuoto fiziologinio tirpalo švirkštą prie kateterio praplovimo prievado ir praplaukite CLEANER 15™ kateterį. Užtikrinkite, kad skystis ištekėtų iš kateterio distaliausios angos, esančios šalia kateterio galo. Uždarykite čiaupą, kad „užrakintumėte“ terapinį skystį arba hepariną kateteryje, tada atjunkite švirkštą.

Gydymas

Tikslią gydymo procedūrą turi nustatyti gydytojas. Toliau aprašytas galimas procedūros atlikimo būdas.

4. Atlikite procedūrą nuolat stebėdami fluoroskopu. Nepradėkite sukti vingiuotos vielos (nejunkite prietaiso), neįsitikinę, kad prietaisas tinkamai nustatytas periferinėse kraujagyslėse.
5. Paruoškite ir uždenkite dūrio vietą.
6. Suleiskite vietinio nuskausminimo preparatą dūrio vietoje, kad galėtumėte įvesti veninę movą.
7. Pasirinkite tinkamo dydžio movą CLEANER 15™ kateteriui ir kitiems prietaisams / kateteriams, kurių gali prireikti atliekant procedūrą, įvesti. Didžiausias kreipiamosios vielos dydis bus nustatytas atsižvelgiant į pasirinkto įvedimo movos / skėtiklio mazgo dydį. Jei kertama klubinė bifurkacija, reikia naudoti ilgą sustiprintą movą.
8. Paruoškite ir nustatykite veninę įvedimo movą, laikydamiesi ligoninės protokolo. Veninė mova turi būti nustatyta periferinio kraujagyslių tinklo venos šakoje ir nukreipta į gydymo vietą. Veninę movą galima nustatyti ir kitaip, atsižvelgiant į kraujagyslėje esančio trombo dydį.
9. Nustatykite prietaisą uždengetoje padėtyje, pastumdami slankiąją svirtį į distalinę padėtį ir pasukdami slankiąją svirtį, kad užrakintumėte uždengetoje padėtyje (žr. 3 pav.). Uždengetoje padėtyje iš kateterio turi kyšoti tik vingiuotos vielos lankstus antgalis. **[spėjimas: prietaiso negalima įjungti uždengetoje padėtyje.]**
10. Įvesdami per movos vožtuvą, laikykite lankstų antgalį tarp didžiojo ir rodomojo pirštų. Įveskite uždengtą prietaisą per veninę movą į periferinio kraujagyslių tinklo venos šaką.
11. Prijunkite 10 cm³ švirkštą su terapine medžiaga, skirtą įpurkšti per čiaupą. Atidarykite čiaupą, kad medžiaga tekėtų. **[spėjimas: neįtraukite kraujo atgal į kateterį.]**

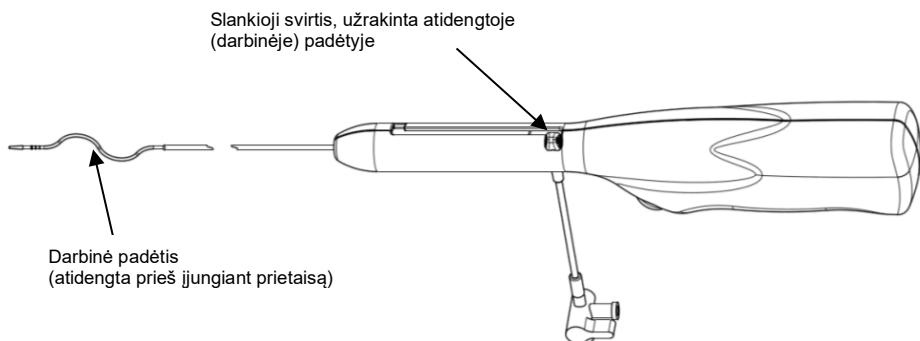
Pastaba: laikykitės gamintojo nurodymų dėl nurodytų skysčių atkūrimo ir skiedimo.



3 pav.

12. Pastumkite lankstų antgalį iki trombo distaliausio krašto. Atrakinkite ir atidenkite vingiuotą vielą, iki galo atitraukdami slankiąją svirtį ir sukdami slankiąją svirtį, kol pasigirs spragtelėjimas (žr. 4 pav.). Naudojami fluoroskopa įsitikinkite, kad prietaisas yra gydymo vietoje. Įjunkite sukimą, nuspausdami įjungimo / išjungimo jungiklį.

Periferinės kraujagyslės



4 pav.

13. Kol prietaisas įjungtas, lėtai traukite besisukančią vingiuotą vielą iš gydymo vietos, įpurkšdami per įpurškimo prievadą terapinę medžiagą, skirtą trombai suardyti. **Įspėjimas: rekomenduojama traukti vielą 1–2 cm per sekundę, jei susiduriama su aštriu skersmeniu.** Vingiuotai vielai pasiekus veninės movos antgalį, išjunkite besisukančią dispersinę vielą, atleisdami jungiklį.
14. Uždenkite prietaisą ir ištraukite jį iš periferinių kraujagyslių. Praplaukite kateterio spindį heparinizuotu fiziologiniu tirpalu ir rankomis pašalinkite nuo vingiuotos vielos fibrino sankaupas.
15. Aspiruokite išmirkytą trombą per movą ir išmeskite aspiratą. **Atsargumo priemonė: dėl pakartotinių nesėkmingų aspiravimų mova ir kraujagyslė gali subliūkšti.**
16. Suleiskite nedidelį kontrastinės medžiagos kiekį per veninę movą, kad įvertintumėte trombo pašalinimo lygį. **Įspėjimas: venkite suleisti per daug kontrastinės medžiagos, kad sumažintumėte embolizacijos riziką.** Apdorokite likusį trombą, pakartodami 11–15 veiksmus, kol pasieksite priimtina trombo pašalinimo lygį.
17. Visiškai pašalinę trombą, atlikite pirminės ligos arba stenozės gydymo veiksmus pagal ligoninės protokolą.
18. Atlikite galutinę angiogramą.
19. Ištraukite movas iš periferinių kraujagyslių.
20. Užtikrinkite hemostazę dūrio vietoje (-ose) pagal ligoninės protokolą.

Graftai ir fistulės

NAUDOJIMO PASKIRTIS

CLEANER 15™ Rotational Thrombectomy System skirta mechanškai pašalinti krešulius ir trombus iš natūralių kraujagyslių dializės fistulių ir sintetinių dializės priegios graftų.

KONTRAINDIKACIJOS

CLEANER 15™ Rotational Thrombectomy System kontraindikuotina toliau nurodytais atvejais.

- Kai, gydytojo nuomone, tokia procedūra gali pabloginti paciento būklę.
- Jei natūralių kraujagyslių skersmuo nesiekia 6 mm.
- Esamos hemodializės priegios vietos infekcija.
- Nepakankamai išsivysčiusios natūralių kraujagyslių fistulės (fistulės, kurios nebuvo naudotos mažiausiai vieni hemodializei atlikti).

ĮSPĖJIMAI IR ATSARGUMO PRIEMONĖS

- Prieš naudodami perskaitykite visus įspėjimus, atsargumo priemones ir nurodymus, pateiktus informaciniame lapelyje. Neperskaičius nurodytos informacijos galimas sunkus paciento sužalojimas arba mirtis.
- Šias procedūras turi atlikti tik gydytojai ir darbuotojai, supažindinti su taikoma įranga ir metodais. Prietaisas sterilizuotas etileno dujomis ir yra sterilus, jei pakuotė neatidaryta ir nepažeista. Prieš naudojant reikia apžiūrėti pakuotę, jei ji pažeista – NENAUDOKITE. Prietaisas skirtas naudoti tik vieną kartą vienam pacientui; PAKARTOTINAI NENAUDOKITE IR NESTERILIZUOKITE.
- Prieš naudodami kruopščiai apžiūrėkite CLEANER 15™ Rotational Thrombectomy System ir įsitikinkite, kad ji nebuvo apgadinta gabenant. Jei gaminio komponentai atrodo apgadinti – NENAUDOKITE.
- Dėl ŽIV (žmogaus imunodeficitą viruso) arba kitų kraujyje esančių ligų sukėlėjų poveikio rizikos sveikatos apsaugos darbuotojai turėtų laikytis standartinių atsargumo priemonių dėl kraujo ir kraujo skysčių, prižiūređami visus pacientus. Dirbant prietaisu, reikia visada griežtai laikytis sterilių darbo metodų.
- Gydytojai turi žinoti apie toliau nurodytas galimas komplikacijas, susijusias su dializės fistulėmis ir graftų tromboze.
 - Kraujavimas
 - Simptominė plaučių embolija
 - Arterijų embolizacija
 - Alerginė reakcija į kontrastinę medžiagą
 - Pseudoaneurizma
 - Skausmas ir (arba) jautrumas
 - Kraujagyslės plyšimas arba suardymas
 - Infekcija
 - Arterijos arba venos pradūrimas
 - Hematoma
 - Mirtis
- Šalininti kamštį iš arterijos anastomozės reikia atsargiai, siekiant sumažinti arterijos embolizacijos riziką.
- Dėl sutrikusios hemodializės pacientų šalinimo funkcijos, atliekant šią procedūrą reikia naudoti kuo mažiau kontrastinės medžiagos.
- Naudojant CLEANER 15™ prietaisą ilgesnį laiką, galimas CLEANER 15™ vingiuotos vielos gedimas dėl nuovargio. Rekomenduojama traukti prietaisą 1–2 cm per sekundę, jei susiduriama su aštriu skersmeniu (t. y. kilpiniu graftu ar fistule, kurių skersmuo < 3 cm).

REKOMENDUOJAMA PROCEDŪRA

Dirbkite steriliai.

Paciento paruošimas

1. Atlikite medikamentinį paruošimą pagal ligoninės protokolą, naudodami raminauosius, skausmą malšinančius ir (arba) antibiotinius preparatus.

Prietaiso eksploatacinių charakteristikų bandymas

2. Ištraukite CLEANER 15™ Rotational Thrombectomy System iš pakuotės. Nuspauskite įjungimo / išjungimo jungiklį, kad įsitikintumėte, jog vingiuota vielą sukasi laisvai (žr. 2 pav.). Atleisdami jungiklį, sustabdykite sukamąjį įtaisą. **Atsargumo priemonė: nenaudokite prietaiso, jei nuspaudus jungiklį jis neįsijungia iš karto, o atleisus jungiklį neįsijungia iš karto.**
3. Praplaukite CLEANER 15™ kateterį heparinizuotu fiziologiniu tirpalu per kateterio spindžio praplovimo prievadą. Prieš dirbdami gražinkite čiaupą į išjungimo padėtį.

Trombolizės procedūra

4. Atlikite CLEANER 15™ trombolizės procedūrą nuolat stebėdami fluoroskopu. Nepradėkite sukti vingiuotos vielos (neįjunkite prietaiso), neįsitikinę, kad prietaisas tinkamai nustatytas fistulėje arba grafte.
5. Paruoškite ir uždenkite dūrio vietą.
6. Suleiskite vietinio nuskausminimo preparatą dūrio vietoje, kad galėtumėte įvesti veninę movą.
7. Pasirinkite tinkamo dydžio movą CLEANER 15™ kateteriui ir kitiems prietaisams / kateteriams, kurių gali prireikti atliekant procedūrą, įvesti. Didžiausias kreipiamosios vielos dydis bus nustatytas atsižvelgiant į pasirinkto įvedimo movos / skėtiklio mazgo dydį.

Graftai ir fistulės

8. Paruoškite ir nustatykite veninę įvedimo movą, laikydamiesi ligoninės protokolo. Veninė mova turi būti nustatyta grafto venos šakoje ir nukreipta į veninę anastomozę. Fistulėse veninę movą galima nustatyti ir kitaip, atsižvelgiant į kraujagyslėje esančio trombo dydį. Jei naudojama veninė mova, ji turi būti nustatyta fistulės venos šakoje ir nukreipta į centrinį veninio kraujo nuotėkį. Pastaba: jei arterioveninėje fistulėje veninė mova nenaudojama, pereikite prie 16 veiksmo.
9. Nustatykite prietaisą uždengtoje padėtyje, pastumdami slankiąją svirtį į distalinę padėtį ir pasukdami slankiąją svirtį, kad užrakintumėte uždengtoje padėtyje (žr. 3 pav.). Uždengtoje padėtyje iš kateterio turi kvyšti tik vingiuotos vielos lankstus antgalis. Prietaiso negalima įjungti uždengtoje padėtyje.
10. Įvesdami per movos vožtuvą, laikykite lankstų antgalį tarp didžiojo ir rodomojo pirštų. Įveskite uždengtą prietaisą per veninę movą į fistulės arba grafto venos šaką.
11. Grafte pastumkite lankstų antgalį iki veninės anastomozės. **Įspėjimas: nestumkite antgalio už anastomozės.** Fistulėje pastumkite lankstų antgalį iki trombo centrinės dalies. Atrakinkite ir atidenkite vingiuotą vielą, iki galo atitraukdami slankiąją svirtį ir sukdami slankiąją svirtį, kol pasigirs spragtelėjimas (žr. 4 pav.). Naudojami fluoroskopą įsitikinkite, kad prietaisas yra fistulėje arba grafte. Įjunkite sukimą, nuspausdami įjungimo / išjungimo jungiklį.

Pastaba: atidengti vielą reikia atsargiai, siekiant neįstumti vielos į trombą ir už anastomozės.

12. Kol prietaisas įjungtas, lėtai traukite besisukančią vingiuotą vielą iš grafto ar fistulės, siekdami suardyti trombą. **Įspėjimas: rekomenduojama traukti vielą 1–2 cm per sekundę, jei susiduriama su aštriu skersmeniu.** Vingiuotai vielai pasiekus veninės movos antgalį, išjunkite sukamąjį įtaisą, atleisdami jungiklį.
13. Uždenkite prietaisą ir ištraukite jį iš grafto ar fistulės. Praplaukite kateterio spindį heparinizuotu fiziologiniu tirpalu ir rankomis pašalinkite nuo vingiuotos vielos fibrino sankaupas.
14. Aspiruokite išmirkytą trombą per movą ir išmeskite aspiratą. **Atsargumo priemonė: dėl pakartotinių nesėkmingų aspiravimų arba ir graftas / fistulė gali subliūksėti.**
15. Suleiskite nedidelį kontrastinės medžiagos kiekį per veninę movą, kad įvertintumėte trombo pašalinimo lygį. **Įspėjimas: venkite suleisti per daug kontrastinės medžiagos, kad sumažintumėte arterijos embolizacijos riziką.** Apdorokite likusį trombą, pakartodami 11-14 veiksmus, kol pasieksite priimtina trombo pašalinimo lygį.
16. Suleiskite vietinio nuskausminimo preparatą dūrio vietoje, kad galėtumėte įvesti arterinę movą. Paruoškite ir nustatykite arterinę įvedimo movą, laikydamiesi ligoninės protokolo. Arterinė mova turi būti nukreipta į arterinę anastomozę. **Atsargumo priemonė: arterinės ir veninės movų antgaliai neturi persidengti.**
17. Įvesdami per movos vožtuvą, laikykite lankstų antgalį tarp didžiojo ir rodomojo pirštų. Įveskite uždengtą prietaisą per arterinę movą į fistulės arba grafto arterijos šaką.
18. Grafte pastumkite lankstų antgalį iki arterinės anastomozės. **Įspėjimas: nestumkite antgalio už anastomozės.** Fistulėje pastumkite lankstų antgalį iki trombo centrinės dalies. Atrakinkite ir atidenkite vingiuotą vielą, iki galo atitraukdami slankiąją svirtį ir sukdami slankiąją svirtį, kol pasigirs spragtelėjimas. Naudojami fluoroskopą įsitikinkite, kad prietaisas yra fistulėje arba grafte. Įjunkite sukimą, nuspausdami įjungimo / išjungimo jungiklį.
19. Kol prietaisas įjungtas, lėtai traukite besisukančią vingiuotą vielą, atidengtoje padėtyje, iš grafto ar fistulės, siekdami suardyti trombą. **Įspėjimas: rekomenduojama traukti vielą 1–2 cm per sekundę, jei susiduriama su aštriu skersmeniu.** Vingiuotai vielai pasiekus arterinės movos antgalį, išjunkite sukamąjį įtaisą, atleisdami jungiklį.
20. Uždenkite prietaisą ir ištraukite jį iš grafto ar fistulės. Praplaukite kateterio spindį heparinizuotu fiziologiniu tirpalu ir rankomis pašalinkite nuo vingiuotos vielos fibrino sankaupas.
21. Aspiruokite išmirkytą trombą per bet kurią movą ir išmeskite aspiratą. **Atsargumo priemonė: dėl pakartotinių nesėkmingų aspiravimų mova ir graftas / fistulė gali subliūksėti.**
22. Įkiškite tinkamą kateterį per arterinę movą ir atsargiai stumkite jį už grafto ar fistulės arterinės anastomozės. Pripūskite balionėlį, jei naudotas balionėlio kateteris. Įtraukite arterinį kamštį į arterinės šakos vidurį. Išleiskite iš balionėlio orą ir ištraukite balionėlio kateterį.
23. Iš naujo įveskite uždengtą CLEANER 15™ prietaisą per arterinę movą į grafto arba fistulės arterijos šaką.
24. Atidenkite vingiuotą vielą ir įjunkite prietaisą, kad suardytumėte arterinį kamštį, naudodami kontrastinę medžiagą mirkymui kontroliuoti.
25. Uždenkite prietaisą ir ištraukite jį iš grafto ar fistulės. Praplaukite kateterio spindį heparinizuotu fiziologiniu tirpalu ir rankomis pašalinkite nuo vingiuotos vielos fibrino sankaupas.
26. Aspiruokite išmirkytą trombą per movą ir išmeskite aspiratą.
27. Suleiskite kontrastinę medžiagą, kad įvertintumėte trombo pašalinimo lygį. Apdorokite likusią trombo dalį, naudodami CLEANER 15™ per bet kurią movą.
28. Visiškai pašalinkite trombą, atlikite pirminės ligos arba stenozės gydymo veiksmus pagal ligoninės protokolą.
29. Atlikite galutinę fistulogramą.
30. Ištraukite movas iš fistulės ar grafto.
31. Užtikrinkite hemostazę dūrio vietoje (-ose) pagal ligoninės protokolą.

ĮSPĖJIMAS:

skirta naudoti tik vieną kartą. Draudžiama naudoti pakartotinai, apdoroti arba sterilizuoti. Prietaisą pakartotinai naudojant, apdorojant arba sterilizuojant, gali būti pažeistas jo struktūros vientisumas ir (arba) gali įvykti prietaiso gedimas, galintis tapti paciento sužalojimo, ligos arba mirties priežastimi. Be to, prietaisą pakartotinai naudojant, apdorojant arba sterilizuojant, gali kilti jo užteršimo rizika ir (arba) paciento infekcijos arba kryžminės infekcijos rizika, įskaitant (bet neapsiribojant) infekcinės ligos (-ų) pamešimą nuo vieno paciento kitam. Prietaiso užteršimas gali tapti paciento sužalojimo, ligos arba mirties priežastimi.

LAIKYMAS

Laikykite pastovioje kambario temperatūroje. Saugokite nuo organinių tirpiklių, jonizuojančios spinduliuotės arba ultravioletinės šviesos poveikio.

UTILIZAVIMAS

Kateterio sistemą utilizuokite laikydamiesi direktyvos dėl elektros ir elektroninės įrangos atliekų (WEEEED) ir standartinių institucijos procedūrų dėl medicininių atliekų, įskaitant vienkartinis, su krauju besiliečiančius prietaisus.

ATSISAKYMAS SUTEIKTI GARANTIJĄ IR ATSAKOMYBĖS APRIBOJIMAS

„Argon Medical“ gaminiui (-iams), aprašytam (-iems) šiame dokumente, nesuteikiama jokios aiškios arba numanomoms garantijos, be apribojimų įskaitant numanomą garantiją dėl komercinės vertės arba tinkamumo konkrečiai paskirčiai. Jokiomis aplinkybėmis bendrovė „Argon Medical“ nebus atsakinga už jokią tiesioginę, atsitiktinę ar pasekinę žalą, išskyrus aiškiai apibrėžtą konkrečiame įstatyme. Joks asmuo neturi galių įpareigoti „Argon Medical“ jokiai reprezentacijai ar garantijai, išskyrus aiškiai apibrėžtą šiame dokumente.

Spausdintiniai „Argon Medical“ aprašymai ir specifikacijos, įskaitant šį dokumentą, yra skirti tik gaminio savybėms pagaminimo momentu bendrai apibrėžti, ir nesukuria jokios aiškios garantijos.

Bendrovė „Argon Medical“ nebus atsakinga už jokią tiesioginę, netiesioginę ar pasekinę žalą, kilusią pakartotinai naudojant gaminį.



MEDICAL — GENERAL MEDICAL EQUIPMENT
AS TO ELECTRICAL SHOCK, FIRE AND MECHANICAL HAZARDS ONLY
IN ACCORDANCE WITH IEC60601-1 3rd Ed. & CAN/CSA-C22.2
NO. 60601.1 (2008), AAMI ES 60601-1:2008
4CR3



Simbolių žodynas elektronine forma pateiktas
www.argonmedical.com/symbols



EMERGO EUROPE
Westervoortsedijk 60
6827 AT Arnhem
The Netherlands
+31 70 345 8570



ARGON MEDICAL DEVICES, INC.
1445 Flat Creek Road
Athens, Texas 75751 USA
Tel: +1 (903) 675 9321
Tel: +1 (800) 927 4669
www.argonmedical.com



Emergo Consulting (UK) Limited
c/o Cr 360 - UL International
Compass House, Vision Park Histon
Cambridge CB24 9BZ
United Kingdom

CLEANER 15™

Rotational Thrombectomy System

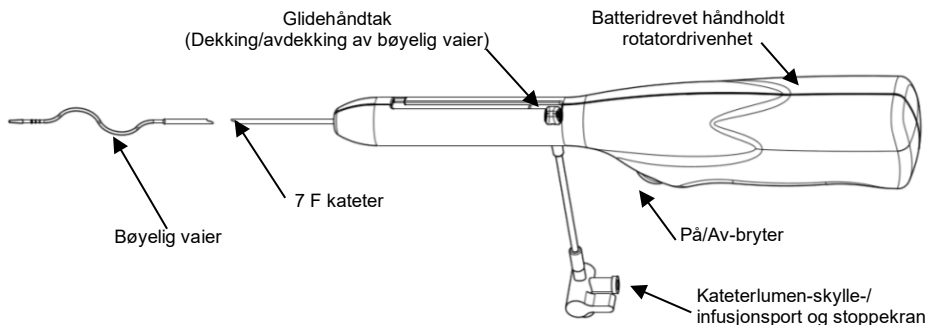
Norwegian - Alle instruksjoner må leses før bruk

sidene

Bruksanvisninger i perifer vaskulatur.....	1-4
Bruksanvisninger i grafter og fistler.....	5-6

BESKRIVELSE AV ENHETEN:

CLEANER 15™ roterende trombektomisystem er et 7 F perkutankateter-basert system (enkeltdel-konstruksjon). En håndholdt batteridrevet rotatordrivenhet til engangsbruk er festet til en bøyelig vaier som roterer med omtrent 4000 RPM. Vaieren og den atraumatiske, myke tuppen er røntgentette for visualisering ved fluorisering.



Figur 1

INDIKASJONER FOR BRUK:

CLEANER 15™ roterende trombektomisystem er indisert for mekanisk dekoagulering og kontrollert og selektiv infusjon av væsker spesifisert av legen, inkludert trombolytika, i den perifere vaskulaturen.

KONTRAINDIKASJONER:

CLEANER 15™ roterende trombektomisystem er kontraindisert ved følgende:

- Dette systemet er kontraindisert når, etter medisinsk vurdering av legen, en slik prosedyre kan svekke pasientens tilstand.
- Ikke utformet for dilatering av perifer vaskulatur.
- Dette systemet er ikke beregnet på infusjon av blod eller blodprodukter.
- Se produktvedlegget for valgte behandlingstilvalg for indikasjoner, kontra-indikasjoner, bivirkninger og forsiktighetsregler.
- I native kar mindre enn 6 mm i diameter
- Hos pasienter uten et vaskulært filter, for eksempel et vena cava inferior-filter.

Perifer vaskulatur

ADVARSLER OG FORSIKTIGHETSREGLER:

- Les alle advarsler, forsiktighetsregler og instruksjoner i pakningsvedlegget før bruk. Dersom dette ikke blir gjort, kan det føre til alvorlig skade og død for pasienten.
- Disse prosedyrene skal kun utføres av leger og personale som er kjent med utstyret og teknikkene som er involvert. Enheten er sterilisert med EtO, og er steril med mindre pakningen er åpnet eller skadet. Pakningen bør undersøkes før bruk: ved skade må den IKKE BRUKES. Enheten er beregnet for en pasient, MÅ IKKE BRUKES PÅ NYTT ELLER RESTERILISERES.
- Før bruk, må CLEANER 15™ roterende trombektomisystem undersøkes nøye for å verifisere at den ikke har blitt skadet under forsendelsen. Hvis produktets deler viser tegn på skade, må de IKKE BRUKES.
- På grunn av risiko for eksponering for HIV (humant immunsviktivirus) eller andre blodbårne patogener, bør helsepersonell rutinemessig bruke universelle forsiktighetsregler for blod- og kroppsvæsker ved behandling av alle pasienter. Steril teknikk må følges strengt ved all håndtering av enheten.
- Ikke før fremover hvis det møtes motstand uten først å ha fastslått årsaken til motstanden under fluorisering, og eventuelle nødvendige tiltak. Overdreven bruk av makt ved motstand kan føre til skade på enheten eller vaskulaturen.
- Før innføring, og når CLEANER 15™ er tatt ut av det vaskulære systemet, skal kateteret skylles.
- Hvis kateteret eller ledevaieren blir bøyd eller skadet på annen måte under bruk, må du avbryte bruken og skifte dem ut.
- Leger må være oppmerksomme på potensielle komplikasjoner knyttet til perifer vaskulatur-trombolyse, inkludert:
 - Karperforasjon eller -ruptur
 - Karspasmer
 - Hematom
 - Sepsis/infeksjon
 - Disrupsjon av intima
 - Vaskulær trombose
 - Allergisk reaksjon på kontrastmiddel
 - Tromboemboliske episoder
 - Distal embolisering av blodpropper
 - Blødning
 - Smerte og ømhet
 - Tromboflebitt
 - Arteriedisseksjon
 - Medikamentreaksjoner
 - Arteriovenøs fistel
 - Amputasjon
- Potensiell tretthetssvikt av CLEANER 15™ bøyelig vaier kan forekomme ved langvarig aktivering av CLEANER 15™-enheten. Det anbefales tilbaketrekkingsfrekvens på 1-2 cm/sekund ved skarpe radier (dvs. radius av et sløyfegraft eller fistel, radier < 3 cm).

EN FORESLÅTT PROSEDYRE:

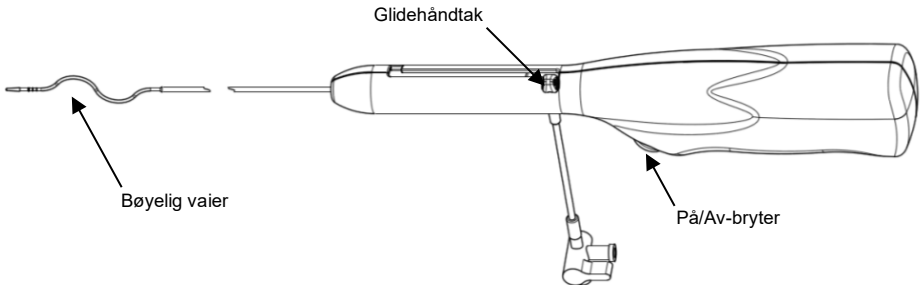
Bruk steril teknikk.

Pasientklargjøring:

1. Forhåndsmedisiner med egnet anxiolytikum, analgetikum og/eller antibiotika iht. sykehusets protokoll.

Testing av enhetens ytelse:

2. Ta CLEANER 15™ roterende trombektomisystem ut av pakningen. Trykk på AV/PÅ-bryteren for å kontrollere at den bøyelige vaieren går fritt rundt (se figur 2). Slipp opp bryteren for å stanse rotatoren. **Forsiktighetsregel: Ikke bruk enheten hvis den ikke aktiveres umiddelbart når bryteren trykkes inn, og deaktiveres umiddelbart når bryteren slippes opp.**



Figur 2

3. Fest en sprøyte med behandlingsagens eller heparinisert saltløsning til kateterets skylleport, og skyll CLEANER 15™-kateteret. Kontroller at væske kommer ut fra det mest distale kateterhullet som ligger nærmest enden av kateteret. Steng stoppekranen for å "låse" behandlingsagensen eller heparinet i kateteret, og fjern sprøyten.

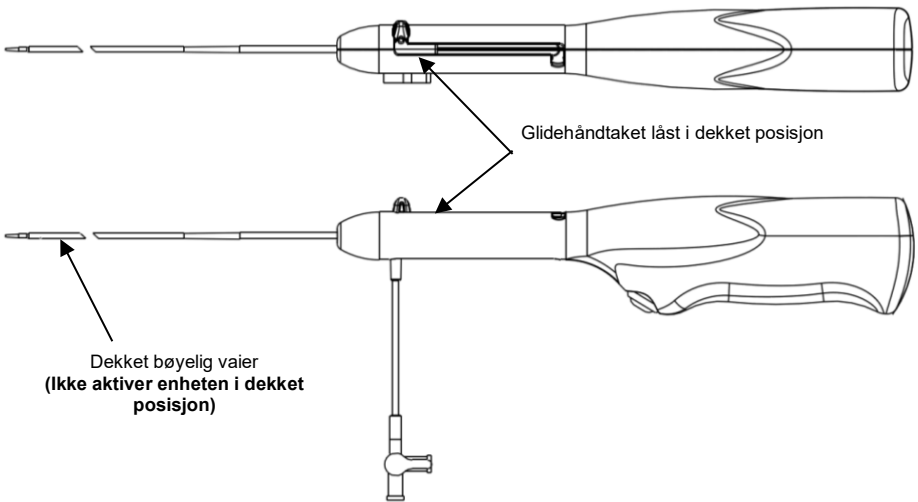
Perifer vaskulatur

Behandling:

Den nøyaktige prosedyren skal bestemmes av legen. Følgende alternativ viser hvordan prosedyren kan utføres.

- Fullfør prosedyren under kontinuerlig fluorisering. Ikke begynn å rotere den bøyelige vaieren (aktivere enheten) med mindre riktig posisjon av enheten er bekreftet inne i den perifere vaskulaturen.
- Klargjør og dekk til punksjonsstedet ved behov.
- Administrer lokalbedøvelse til punksjonsstedet for venøs hylseinnføring.
- Velg en hylse i egnet størrelse som passer til CLEANER 15™-kateteret og andre enheter/katetre som kan bli brukt under prosedyren. Maksimal ledevaierstørrelse vil avhenge av innførerrhylse-/dilatatorsettet som er valgt. Hvis iliaca bifurkasjon blir krysset, skal det brukes en lang, forsterket hylse.
- Klargjør og plasser den venøse innførerrhylsen iht. sykehusets protokoll. Den venøse hylsen skal plasseres i den venøse kanten av den perifere vaskulaturen, og rettes mot behandlingsstedet. Plasseringen av den venøse hylsen kan være valgfri, avhengig av belastningen av blodpropp i karet.
- Plasser enheten i den tildekkede posisjonen ved å skyve glidehåndtaket til distal posisjon og rotere glidehåndtaket for å låse i dekket posisjon (se figur 3). I dekket posisjon skal kun den fleksible tuppen av den bøyelige vaieren stikke ut av kateteret. **Advarsel: Enheten skal ikke aktiveres i dekket posisjon.**
- Støtt den fleksible tuppen mellom tommel og pekefinger under innføring gjennom hylseventilen. Før inn den dekkede enheten gjennom den venøse hylsen og inn i den venøse kanten av den perifere vaskulaturen.
- Fest en sprøyte på 10 ml som inneholder behandlingsagensen som skal infuseres til stoppekranen. Åpne stoppekranen for å starte strømmingen. **Advarsel: Ikke trekk blod tilbake inn i kateteret.**

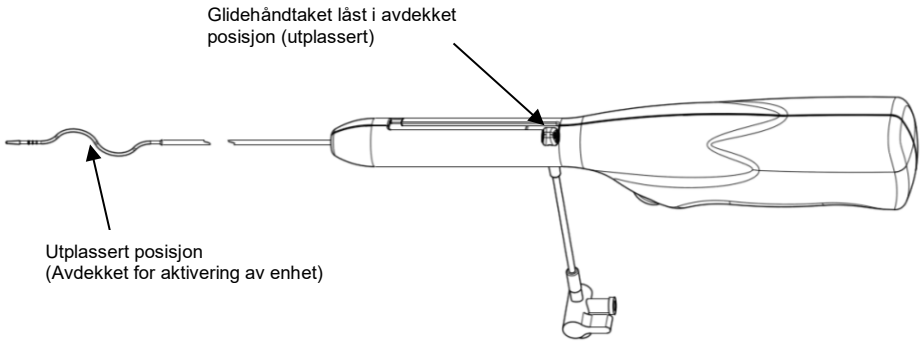
Merk: Følg produsentens instruksjoner vedrørende rekonstruksjon og fortykning av spesifiserte væsker.



Figur 3

- Før inn den fleksible tuppen til den mest distale enden av blodproppen. Avdekk den bøyelige vaieren ved å låse opp og trekke helt ut glidehåndtaket og rotere glidehåndtaket til det høres et "klikk" (se figur 4). Bekreft posisjoneringen av enheten inne i behandlingsstedet via fluorisering. Trykk på PÅ/AV-bryteren for å aktivere rotasjon.

Perifer vaskulatur



Figur 4

13. Når enheten er aktivert, må du **langsomt** trekke ut den roterende bøyelige vaieren langs behandlingsstedet, mens du infunderer behandlingssagens gjennom infusjonsåpningen for å bryte opp blodproppen. **Advarsel: Det anbefales en uttrekningshastighet på 1-2 cm/sekund ved skarpe radier.** Når den bøyelige vaieren når tuppen av den venøse hylsen, slipp opp bryteren for å slå av den roterende spredningsvaieren.
14. Dekk enheten og fjern den fra den perifere vaskulaturen. Skyll kateterlumen med heparinisert saltvann og fjern manuelt eventuell oppsamlet fibrin fra den bøyelige vaieren.
15. Aspirer den oppdelte blodproppen via hylsen og kast aspiratet. **Forsiktighetsregel: Fortsatt aspirering som ikke lykkes, kan føre til kollaps av hylse og kar.**
16. Injisér en liten mengde kontrastmiddel via den venøse hylsen for å vurdere hvor mye trombe som er fjernet. **Advarsel: Unngå å injisere for mye kontrastmiddel for å minimere risikoen for embolisering.** Behandle gjenværende trombe ved å gjenta trinn 11–15 til akseptabel fjerning av trombe er oppnådd.
17. Når en trombe er fjernet, må eventuelle underliggende diagnoser eller stenoser behandles iht. sykehusets protokoll.
18. Utfør endelig angiogram.
19. Fjern hylsene fra den perifere vaskulaturen.
20. Oppnå hemostase på punksjonsstedet/-stedene iht. sykehusets protokoll.

Grafter og fistler

INDIKASJONER FOR BRUK:

CLEANER 15™ roterende trombektomisystem er indisert for mekanisk dekoagulering av native kardialysefistler og syntetisk dialysetilgangsgraft.

KONTRAINDIKASJONER:

CLEANER 15™ roterende trombektomisystem er kontraindisert ved følgende:

- Når, etter medisinsk vurdering av legen, en slik prosedyre kan svekke pasientens tilstand.
- I native kar mindre enn 6 mm i diameter
- Eksisterende infeksjon i hemodialyse-tilgangssted.
- Umodne native kardialysefistler (fistler som ikke har blitt brukt til minst én hemodialysebehandling).

ADVARSLER OG FORSIKTIGHETSREGLER:

- Les alle advarsler, forsiktighetsregler og instruksjoner i pakningsvedlegget før bruk. Dersom dette ikke blir gjort, kan det føre til alvorlig skade og død for pasienten.
- Disse prosedyrene skal kun utføres av leger og personale som er kjent med utstyret og teknikkene som er involvert. Enheten er sterilisert med EtO, og er steril med mindre pakningen er åpnet eller skadet. Pakningen bør undersøkes før bruk: ved skade må den IKKE BRUKES. Enheten er beregnet for en pasient, MÅ IKKE BRUKES PÅ NYTT ELLER RESTERILISERES.
- Før bruk, må CLEANER 15™ roterende trombektomisystem undersøkes nøye for å verifisere at den ikke har blitt skadet under forsendelsen. Hvis produktets deler viser tegn på skade, må de IKKE BRUKES.
- På grunn av risiko for eksponering for HIV (humant immunsviktvirus) eller andre blodbårne patogener, bør helsepersonell rutinemessig bruke universelle forsiktighetsregler for blod- og kroppsvæsker ved behandling av alle pasienter. Steril teknikk må følges strengt ved all håndtering av enheten.
- Leger må være oppmerksomme på potensielle komplikasjoner knyttet til dialysefistler og grafttrombose, inkludert:
 - Blødning
 - Symptomatisk lungeembolisme
 - Arterieembolisering
 - Allergisk reaksjon på kontrastmiddel
 - Pseudoaneurisme
 - Smerte og/eller ømhet
 - Revning eller oppdeling av kar
 - Infeksjon
 - Perforasjon av arterie eller vene
 - Hematom
 - Død
- Det må utvises forsiktighet ved løsning av pluggen ved arterieanastomosen for å minimere risikoen for arterieembolisering.
- På grunn av manglende ekskresjon knyttet til hemodialysepasienter, skal bruk av kontrastmiddel holdes på et minimum gjennom denne prosedyren.
- Potensiell tretthetssvikt av CLEANER 15™ bøyelig vaier kan forekomme ved langvarig aktivering av CLEANER 15™-enheten. Det anbefales tilbaketrekkingsfrekvens på 1-2 cm/sekund ved skarpe radier (dvs. radius av et sløyfegraft eller fistel, radier < 3 cm).

EN FORESLÅTT PROSEDYRE:

Bruk steril teknikk.

Pasientklargjøring:

1. Forhåndsmedisiner med egnede anxiolytika, analgetika og/eller antibiotika iht. sykehusets protokoll.

Testing av enhetens ytelse:

2. Ta CLEANER 15™ roterende trombektomisystem ut av pakningen. Trykk på PÅ/AV-bryteren for å kontrollere at den bøyelige vaieren går fritt rundt (se figur 2). Slipp opp bryteren for å stanse rotatoren. **Forsiktighetsregel: Ikke bruk enheten hvis den ikke aktiveres umiddelbart når bryteren trykkes inn, og deaktiveres umiddelbart når bryteren slippes opp.**
3. Skyll CLEANER 15™-kateteret med heparinisert saltvann gjennom kateterlumen-skylleporten. Sett stoppekranen tilbake til avposisjon før drift.

Trombolyseprosedyre:

4. Fullfør CLEANER 15™-trombolyseprosedyren under kontinuerlig fluorisering. Ikke begynn å rotere den bøyelige vaieren (aktivere enheten) med mindre riktig posisjon av enheten er bekreftet inne i fistelen eller graftet.
5. Klargjør og dekk til punksjonsstedet ved behov.
6. Administrer lokalbedøvelse til punksjonsstedet for venøs hylseinnføring.
7. Velg en hylse i egnet størrelse som passer til CLEANER 15™-kateteret og andre enheter/katetre som kan bli brukt under prosedyren. Maksimal ledevaierstørrelse vil avhenge av innførerhylse/dilatatorsettet som er valgt.
8. Klargjør og plasser den venøse innførerhylsen iht. sykehusets protokoll. Den venøse hylsen skal plasseres i den venøse kanten av den perifere vaskulaturen, og rettes mot den venøse anastomosen. I fistel kan plasseringen av den venøse hylsen være valgfri, avhengig av belastningen av blodpropp i karet. Hvis det brukes en venøs hylse, skal den plasseres i den venøse kanten av fistelen, og rettes mot den sentrale venøse utstrømningen. Merk: Hvis ingen venøs hylse brukes i AV-fistelen, gå til trinn 16.

Grafter og fistler

9. Plasser enheten i den tildekkede posisjonen ved å skyve glidehåndtaket til distal posisjon og rotere glidehåndtaket for å låse i dekket posisjon (se figur 3). I dekket posisjon skal kun den fleksible tuppen av den bøyelige vaieren stikke ut av kateteret. Enheten skal ikke aktiveres i dekket posisjon.
10. Støtt den fleksible tuppen mellom tommel og pekefinger under innføring gjennom hylseventilen. Innfør den dekkede enheten gjennom den venøse hylsen og inn i den venøse kanten av fistelen eller graftet.
11. I et graft, før inn den fleksible tuppen opp til den venøse anastomosen. **Advarsel: Ikke før den lenger frem enn til anastomosen.** I en fistel, før inn den fleksible tuppen til den mest sentrale enden av blodproppen. Avdekk den bøyelige vaieren ved å låse opp og trekke helt ut glidehåndtaket og rotere glidehåndtaket til det høres et "klikk" (se figur 4). Bekreft posisjoneringen av enheten inne i fistelen eller graftet via fluorisering. Trykk på AV/PA-bryteren for å aktivere rotasjon.
Merk: Det må utvises forsiktighet ved avdekking av vaieren for å unngå å føre frem vaieren inn i blodproppen og forbi anastomosen.
12. Når enheten er aktivert, må du langsomt trekke ut den roterende bøyelige vaieren langs graftet eller fistelen for å bryte opp blodproppen. **Advarsel: Det anbefales en uttrekningshastighet på 1-2 cm/sekund ved skarpe radier.** Når den bøyelige vaieren når tuppen av den venøse hylsen, slipp opp bryteren for å slå av rotatoren.
13. Dekk enheten og fjern den fra den graftet eller fistelen. Skyll kateterlumen med heparinisert saltvann og fjern manuelt eventuell oppsamlet fibrin fra den bøyelige vaieren.
14. Aspirer den oppdelte blodproppen via hylsen og kast aspiratet. **Forsiktighetsregel: Fortsatt aspirering som ikke lykkes, kan føre til kollaps av hylse og graft/fistel.**
15. Injiser en liten mengde kontrastmiddel via den venøse hylsen for å vurdere hvor mye trombe som er fjernet. **Advarsel: Unngå å injisere for mye kontrastmiddel for å minimere risikoen for arterieembolisering.** Behandle gjenværende trombe ved å gjenta trinn 11-14 til akseptabel fjerning av trombe er oppnådd.
16. Administrer lokalbedøvelse til punksjonsstedet for arteriell venøs hylseinnføring. Klargjør og plasser den arterielle innførerhylsen iht. sykehusets protokoll. Den arterielle hylsen skal rettes mot den arterielle anastomosen. **Forsiktighetsregel: De arterielle og venøse hylsetuppene må ikke overlappe.**
17. Støtt den fleksible tuppen mellom tommel og pekefinger under innføring gjennom hylseventilen. Innfør den dekkede enheten gjennom den arterielle hylsen og inn i den arterielle kanten av fistelen eller graftet.
18. I et graft, før inn den fleksible tuppen opp til den arterielle anastomosen. **Advarsel: Ikke før den lenger frem enn til anastomosen.** I en fistel, før inn den fleksible tuppen til den mest sentrale enden av blodproppen. Avdekk den bøyelige vaieren ved å låse opp og trekke helt ut glidehåndtaket og rotere glidehåndtaket til det høres et "klikk". Bekreft posisjoneringen av enheten inne i fistelen eller graftet via fluorisering. Trykk på AV/PA-bryteren for å aktivere rotasjon.
19. Når enheten er aktivert, må du langsomt trekke ut den roterende bøyelige vaieren i avdekket posisjon langs graftet eller fistelen for å bryte opp blodproppen. **Advarsel: Det anbefales en uttrekningshastighet på 1-2 cm/sekund ved skarpe radier.** Når den bøyelige vaieren når tuppen av den arterielle hylsen, slipp opp bryteren for å slå av rotatoren.
20. Dekk enheten og fjern den fra den graftet eller fistelen. Skyll kateterlumen med heparinisert saltvann og fjern manuelt eventuell oppsamlet fibrin fra den bøyelige vaieren.
21. Aspirer den oppdelte blodproppen ved bruk av en av hylsene og kast aspiratet. **Forsiktighetsregel: Fortsatt aspirering som ikke lykkes, kan føre til kollaps av hylse og graft/fistel.**
22. Før et egnet kateter gjennom den arterielle hylsen, og før det forsiktig frem forbi arterieanastomosen av graftet eller fistelen. Blås opp ballongen, hvis det er et ballongkateter. Dra arteriepluggen til midten av arteriekanten. Tøm ballongen og fjern ballongkateteret.
23. Før inn den dekkede CLEANER 15™-enheten gjennom den arterielle hylsen og inn i den arterielle kanten av graftet eller fistelen.
24. Avdekk den bøyelige vaieren og aktiver enheten for å bryte opp arteriepluggen ved bruk av kontrastmiddel for å lede oppdelingen.
25. Dekk enheten og fjern den fra den graftet eller fistelen. Skyll kateterlumen med heparinisert saltvann og fjern manuelt eventuell oppsamlet fibrin fra den bøyelige vaieren.
26. Aspirer den oppdelte blodproppen via hylsen og kast aspiratet.
27. Injiser kontrastmiddel for å vurdere hvor mye trombe som er fjernet. Behandle eventuelle gjenværende tromber ved å bruke CLEANER 15™ via en av hylsene, etter behov.
28. Når tromben er fjernet, må eventuelle underliggende diagnoser eller stenoser behandles iht. sykehusets protokoll.
29. Utfør endelig fistulogram.
30. Fjern hylsene fra fistelen eller graftet.
31. Oppnå hemostase på punksjonsstedet/-stedene iht. sykehusets protokoll

ADVARSEL:

Kun til engangsbruk. Må ikke brukes på nytt, reposseseres eller resteriliseres. Gjenbruk, repossesering eller resterilisering kan redusere den strukturelle integriteten til enheten og/eller føre til enhetssvikt, som igjen kan føre til pasientskade, sykdom eller død. Gjenbruk, repossesering eller resterilisering kan også skape en risiko for forurensning av apparatet og/eller forårsake pasientinfeksjon eller kryssinfeksjon, inkludert, men ikke begrenset til, overføring av smittsomme sykdommer fra en pasient til en annen. Forurensning av enheten kan føre til skade, sykdom eller død for pasienten.

OPPBEVARING:

Oppbevar ved kontrollert romtemperatur. Må ikke utsettes for organiske løsemidler, ioniserende stråling eller ultrafiolett lys.

KASSERING:

Kast katetersystemet i samsvar med direktivet om avfall fra elektrisk og elektronisk utstyr (WEEE) og i henhold til standard institusjonelle prosedyrer for medisinsk avfall, inkludert engangsenheter som er i kontakt med blod.

ANSVARSRFRASKRIVELSE OG BEGRENSNING AV RETTSMIDDEL:

Det foreligger ingen uttrykkelig eller underforstått garanti, inkludert uten begrensning og implisitte garantier om salgbarhet eller egnethet for et bestemt formål, på Argon Medical produkt (er) som er beskrevet i denne publikasjonen. Under ingen omstendigheter skal Argon Medical være ansvarlige for direkte, tilfeldige eller indirekte skader bortsett fra det som uttrykkelig følger av særskilt lov. Ingen person har myndighet til å binde Argon Medical til noen representasjon eller garanti unntatt det som er spesifikt angitt her.

Beskrivelser eller spesifikasjoner i trykksaker fra Argon Medical, inkludert denne publikasjonen, er ment utelukkende for å generelt beskrive produktet på produksjonstidspunktet, og utgjør ikke noen uttrykkelige garantier.

Argon Medical vil ikke være ansvarlige for direkte, tilfeldige eller indirekte skader som følge av gjenbruk av produktet.



MEDICAL — GENERAL MEDICAL EQUIPMENT
 AS TO ELECTRICAL SHOCK, FIRE AND MECHANICAL HAZARDS ONLY
 IN ACCORDANCE WITH IEC60601-1 3rd Ed. & CAN/CSA-C22.2
 NO. 60601.1 (2008), AAMI ES 60601-1:2008
 4CR3



Symbolforklaringen finnes elektronisk på
www.argonmedical.com/symbols



EMERGO EUROPE
 Westervoortsedijk 60
 6827 AT Arnhem
 The Netherlands
 +31 70 345 8570



ARGON MEDICAL DEVICES, INC.
 1445 Flat Creek Road
 Athens, Texas 75751 USA
 Tel: +1 (903) 675 9321
 Tel: +1 (800) 927 4669
www.argonmedical.com



Emergo Consulting (UK) Limited
 c/o Cr 360 - UL International
 Compass House, Vision Park Histon
 Cambridge CB24 9BZ
 United Kingdom

CLEANER 15™

Rotational Thrombectomy System

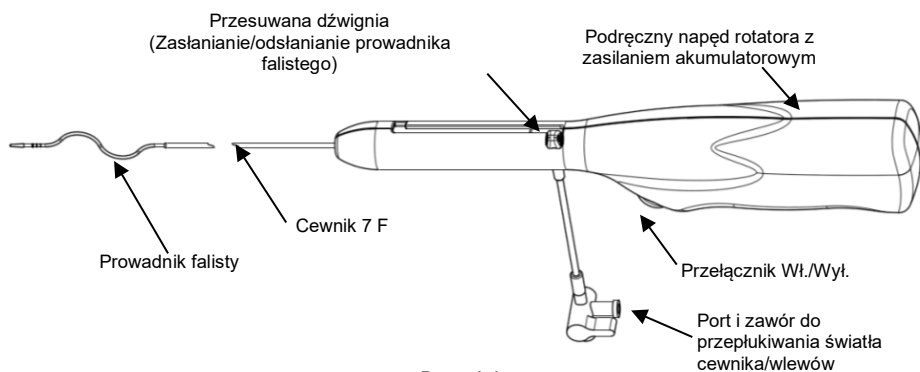
Polish - Przed zastosowaniem należy przeczytać wszystkie wskazówki

strony

Wskazówki dotyczące użycia w obwodowym układzie naczyniowym.....	1-4
Wskazówki dotyczące użycia w graftach i przetokach.....	5-6

OPIS URZĄDZENIA:

System do trombektomii rotacyjnej CLEANER 15™ jest systemem opartym na cewniku przezskórnym o średnicy 7F (konstrukcja jednoelementowa). Podręczny jednorazowy napęd rotatora z zasilaniem akumulatorowym przyłączony jest do falistego przewodnika obracającego się z prędkością około 4 000 obr./min. Przewodnik oraz atraumatyczna miękka końcówka są nieprzepuszczalne dla promieniowania, co umożliwia wizualizację fluoroskopową.



WSKAZANIA DO STOSOWANIA:

Rotacyjny system do trombektomii CLEANER 15™ wskazany jest do mechanicznego usuwania skrzeplin oraz kontrolowanej, selektywnej infuzji płynów przepisanych przez lekarza, w tym leków trombolitycznych, do obwodowego układu naczyniowego.

PRZECIWWSKAZANIA:

Rotacyjny system do trombektomii CLEANER 15™ jest przeciwwskazany w następujących przypadkach:

- System przeciwwskazany jest wówczas, gdy w medycznej ocenie lekarza zabieg taki może pogorszyć stan pacjenta.
- Nie przeznaczony do rozszerzania naczyń układu obwodowego.
- System ten nie jest przeznaczony do wlewów krwi lub produktów krwiopochodnych.
- Należy zapoznać się ze wskazaniami, przeciwwskazaniami, działaniami ubocznymi i środkami ostrożności, podanymi na ulotce producenta dołączonej do roztworu leczniczego.
- W naczyniach natywnych o średnicy mniejszej niż 6 mm
- U pacjentów bez filtra naczyniowego takiego jak filtr w żyłę głównej dolnej.

Obwodowy układ naczyniowy

OSTRZEŻENIA I PRZESTROGI:

- Przed użyciem należy zapoznać się ze wszystkimi ostrzeżeniami, przestrogami i instrukcjami zawartymi w ulotce dołączonej do opakowania. Zaniedbanie tego może spowodować ciężkie obrażenia ciała pacjenta lub zgon.
- Zabiegi te powinny być wykonywane wyłącznie przez lekarzy i personel zaznajomiony ze sprzętem i technikami związanymi z zabiegami. Urządzenie wysterylizowano za pomocą tlenu etylenu i pozostaje ono jałowe, o ile opakowanie nie jest otwarte lub uszkodzone. Opakowanie należy obejrzeć przed użyciem. Jeżeli jest uszkodzone, NIE WOLNO GO UŻYWAĆ. Urządzenie jest przeznaczone wyłącznie do użycia u jednego pacjenta. NIE WOLNO UŻYWAĆ PONOWNIE ANI PONOWNIE STERYLIZOWAĆ.
- Przed użyciem należy starannie obejrzeć system rotacyjny do trombektomii CLEANER 15™ w celu sprawdzenia, czy nie został uszkodzony podczas transportu. Jeżeli elementy produktu wykazują jakiegokolwiek oznaki uszkodzenia, NIE WOLNO GO UŻYWAĆ.
- Ze względu na ryzyko ekspozycji na HIV (wirus niedoboru odporności) lub inne patogeny przenoszone z krwią, pracownicy służby zdrowia powinni rutynowo przestrzegać zasad i ostrzeżeń dotyczących obchodzenia się z krwią i płynami ustrojowymi podczas opieki nad wszystkimi pacjentami. Podczas obchodzenia się z urządzeniem konieczne jest ściśle przestrzeganie technik jałowych.
- Zabrania się wprowadzania dalej w przypadku napotkania oporu bez wcześniejszego określenia przyczyny oporu z wykorzystaniem fluoroskopii oraz przedsięwzięcia wszelkich koniecznych działań usuwających przyczynę. Użycie nadmiernej siły do pokonania oporu może spowodować uszkodzenie urządzenia lub układu naczyniowego.
- Przed wprowadzeniem i za każdym razem, gdy urządzenie CLEANER 15™ jest wyjmowane z układu naczyniowego, cewnik należy przepłukać.
- Jeżeli cewnik lub przewodnik zostanie zagięty lub w inny sposób uszkodzony podczas użycia, zakładanie należy przerwać i wymienić cewnik lub przewodnik na nowy.
- Lekarze muszą mieć świadomość potencjalnych powikłań powiązanych z trombolizą obwodowego układu naczyniowego, takich jak:
 - Perforacja lub pęknięcie naczyń
 - Skurcz naczyń
 - Krwawk
 - Sepsa/zakażenie
 - Rozwarstwienie śródbłonnka
 - Zakrzepica naczyń
 - Reakcja alergiczna na środki kontrastowe
 - Epizody zakrzepowo-zatorowe
 - Zatorowość dystalna skrzepami krwi
 - Krwotok
 - Ból i tkliwość
 - Zakrzepowe zapalenie żył
 - Rozwarstwienie tętnicy
 - Reakcje na leki
 - Przetoka tętniczko-żylna
 - Amputacja
- Może dojść do zmęczeniowego zniszczenia przewodnika falistego CLEANER 15™ w przypadku długotrwałej pracy urządzenia CLEANER 15™. Zaleca się wycofywanie w tempie 1-2 cm/s w przypadku napotkania ostrych zagięć (np. promień pętli graftu lub przetoki, zagięcie o średnicy < 3 cm).

SUGEROWANA PROCEDURA:

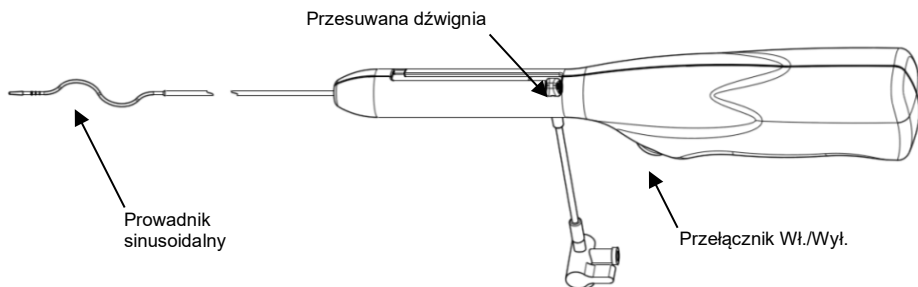
Stosować technikę jałową.

Przygotowanie pacjenta:

1. Premedykacja odpowiednim anksjolitykiem, lekiem przeciwbólowym i/lub antybiotykiem, zgodnie z protokołem obowiązującym w szpitalu.

Próba działania urządzenia:

2. Wyjąć system do trombektomii rotacyjnej CLEANER 15™ z opakowania. Nacisnąć przełącznik ON/OFF (WŁ./WYŁ.), upewniając się, że przewodnik falisty obraca się swobodnie (patrz rys. 2). Zwolnić przełącznik, aby zatrzymać rotator. **Uwaga: Zabrania się używania urządzenia, jeżeli nie uruchomi się niezwłocznie po naciśnięciu przełącznika i nie zatrzyma się niezwłocznie po jego zwolnieniu.**



Rysunek 2

Obwodowy układ naczyniowy

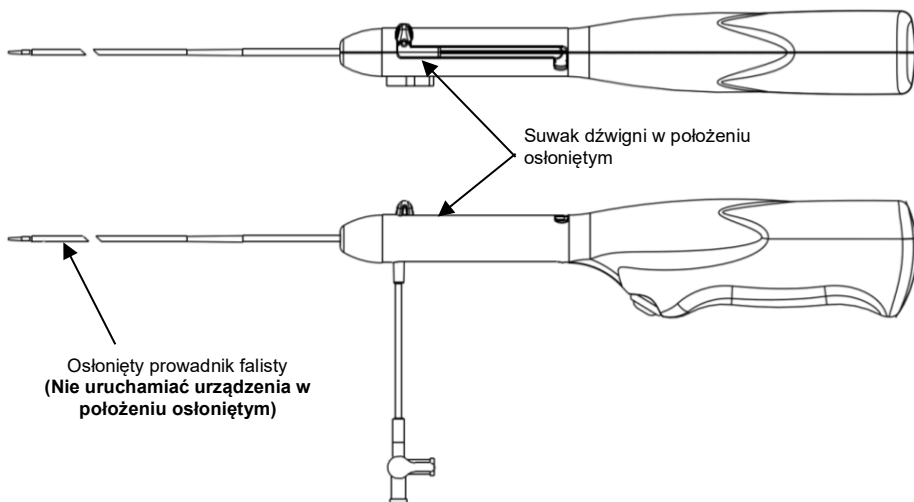
3. Podłączyć strzykawkę ze środkiem leczniczym lub heparynizowanym roztworem soli fizjologicznej do portu płukania cewnika i przepłukać cewnik CLEANER 15™. Należy sprawdzić, czy płyn wydostaje się z najbardziej dystalnego otworu w cewniku, umieszczonego w pobliżu końca cewnika. Zamknąć zawór, aby „zamknąć” środek leczniczy lub heparynę w cewniku i odłączyć strzykawkę.

Leczenie:

Dokładny sposób wykonania zabiegu określa lekarz. Podana poniżej opcja opisuje sposób, w jaki zabieg może być wykonany.

4. Zabieg należy wykonywać pod kontrolą fluoroskopii ciągłej. Nie uruchamiać rotacji prowadnika falistego (nie włączać urządzenia), jeżeli nie potwierdzono poprawnego położenia urządzenia w obwodowym układzie naczyniowym.
5. Przygotować i obożyć miejsce nakłucia zgodnie z wymaganiami.
6. Podać środek znieczulający miejscowo w miejsce nakłucia w celu wprowadzenia koszulki żyłnej.
7. Wybrać koszulkę o odpowiednim rozmiarze, aby pomieściła cewnik CLEANER 15™ i inne urządzenia/cewniki, które mogą być używane podczas zabiegu. Maksymalny rozmiar prowadnika zależy będzie od wybranego zestawu koszulki introduktora/rozszerzacza. W przypadku przekraczania rozwidlenia naczyń biodrowych powinno się używać długiej, wzmacnianej koszulki.
8. Przygotować i umieścić koszulkę żylną introduktora zgodnie z protokołem obowiązującym w szpitalu. Koszulka żylna powinna być umieszczona w części żyłnej układu naczyń obwodowych i skierowana w stronę miejsca, które ma być leczone. Umieszczenie koszulki żyłnej może być opcjonalne, zależnie od wielkości skrzepliny w naczyniu.
9. Umieścić urządzenie w położeniu osłoniętym, popychając dźwignię suwaka do położenia dystalnego i obracając ją do zablokowania w położeniu osłoniętym (patrz Rysunek 3). W położeniu osłoniętym z cewnika powinna wystawać tylko giętka końcówka prowadnika falistego. **Ostrzeżenie: Urządzenia nie należy uruchamiać w położeniu osłoniętym.**
10. Podczas wprowadzania przez zawór koszulki, giętka końcówkę należy podtrzymywać między kciukiem a palcem wskazującym. Wprowadzić osłonięte urządzenie przez koszulkę żylną do obwodowego naczynia żylnego.
11. Do zaworu należy podłączyć strzykawkę o pojemności 10 ml, zawierającą środek leczniczy przeznaczony do infuzji. Otworzyć zawór, aby umożliwić przepływ. **Ostrzeżenie: Nie zasysać krwi do cewnika.**

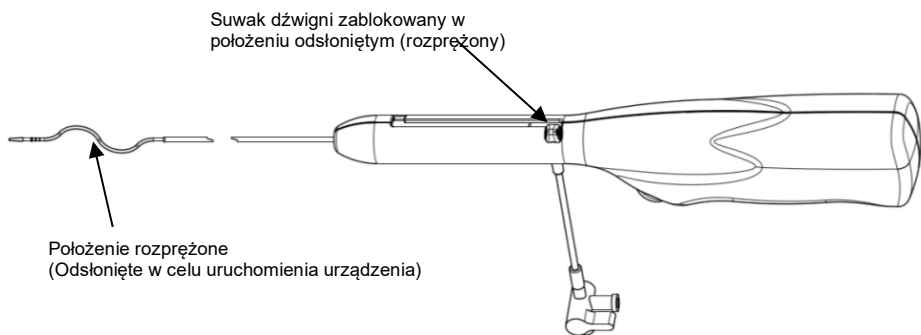
Uwaga: Należy postępować zgodnie z instrukcjami producenta dotyczącymi rekonstrukcji i rozcieńczenia określonych płynów.



Rysunek 3

12. Wprowadzić giętka końcówkę, aby sięgnęła jak najdalej dystalnie od skrzepliny. Odsonić prowadnik falisty odblokowując i wycofując suwak dźwigni do końca oraz obracając go do momentu usłyszenia kliknięcia (patrz Rysunek 4). Potwierdzić za pomocą fluoroskopii położenie urządzenia w obrębie miejsca, które ma być leczone. Aby włączyć rotację, należy nacisnąć przełącznik ON/OFF (Wł./Wył.).

Obwodowy układ naczyniowy



Rysunek 4

13. Po uruchomieniu urządzenia należy powoli wycofywać obracający się przewodnik falisty wzdłuż miejsca leczonego podając jednocześnie wlew środka leczniczego przez port infuzyjny w celu rozdzielenia skrzepliny. **Ostrzeżenie: Podczas napotkania ostrych zakrętów zalecane tempo wycofywania to 1-2 cm/s.** W momencie, gdy przewodnik falisty osiągnie końcówkę koszulki żyłnej należy zwolnić przełącznik, aby wyłączyć obracający się przewodnik dyspersyjny.
14. Odsłonić urządzenie i wyjąć je z obwodowego układu naczyniowego. Przepłukać światło cewnika heparynizowanym roztworem soli fizjologicznej i ręcznie usunąć nagromadzoną fibrynę z przewodnika falistego.
15. Zaaspirować zmacerowaną skrzeplinę przez koszulkę i usunąć aspirat. **Uwaga: Kontynuowanie nieudanej aspiracji może spowodować zapadnięcie się koszulki i naczynia.**
16. Wstrzyknąć niewielką ilość środka kontrastowego poprzez koszulkę żylną, aby ocenić uzyskany stopień usunięcia skrzepu. **Ostrzeżenie: Unikać nadmiernego wstrzykiwania kontrastu, aby zminimalizować ryzyko zatoru.** Pozostałą część skrzepliny usuwać powtarzając etapy 11-15 do momentu osiągnięcia dostatecznego stopnia usunięcia skrzepu.
17. Po zakończeniu usuwania skrzepu należy podjąć leczenie choroby podstawowej lub zwężenia zgodnie z protokołem obowiązującym w szpitalu.
18. Wykonać końcowe badanie angiograficzne.
19. Usunąć koszulkę z obwodowego układu naczyniowego.
20. Wykonać hemostazę w miejscu wkłucia zgodnie z protokołem obowiązującym w szpitalu.

Grafty i przetoki

WSKAZANIA DO STOSOWANIA:

System do trombektomii rotacyjnej CLEANER 15™ wskazany jest do mechanicznego usuwania skrzeplin z naczyń natywnych, przetok dializacyjnych oraz syntetycznych graftów dostępu dializacyjnego.

PRZECIWWSKAZANIA:

Rotacyjny system do trombektomii CLEANER 15™ jest przeciwwskazany w następujących przypadkach:

- Jeżeli w medycznej ocenie lekarza zabieg taki może pogorszyć stan pacjenta.
- W naczyniach natywnych o średnicy mniejszej niż 6 mm
- Występowanie infekcji w miejscu dostępu hemodializacyjnego.
- Niedojrzałe przetoki dializacyjne naczynia natywnego (przetoki, które nie były jeszcze ani razu używane do hemodializy).

OSTRZEŻENIA I PRZESTROGI:

- Przed użyciem należy zapoznać się ze wszystkimi ostrzeżeniami, przestrogi i instrukcjami zawartymi w ulotce dołączonej do opakowania. Zaniedbanie tego może spowodować ciężkie obrażenia ciała pacjenta lub zgon.
- Zabiegi te powinny być wykonywane wyłącznie przez lekarzy i personel zaznajomiony ze sprzętem i technikami związanymi z zabiegiem. Urządzenie wysterylizowano za pomocą tlenu etylenu i pozostaje ono jałowe, o ile opakowanie nie jest otwarte lub uszkodzone. Opakowanie należy obejrzeć przed użyciem. Jeżeli jest uszkodzone, NIE WOLNO GO UŻYWAĆ. Urządzenie jest przeznaczony wyłącznie do użycia u jednego pacjenta. NIE WOLNO UŻYWAĆ PONOWNIE ANI PONOWNIE STERYLIZOWAĆ.
- Przed użyciem należy starannie obejrzeć system rotacyjny do trombektomii CLEANER 15™ w celu sprawdzenia, czy nie został uszkodzony podczas transportu. Jeżeli elementy produktu wykazują jakiegokolwiek oznaki uszkodzenia, NIE WOLNO GO UŻYWAĆ.
- Ze względu na ryzyko ekspozycji na HIV (wirus niedoboru odporności) lub inne patogeny przenoszone z krwią, pracownicy służby zdrowia powinni rutynowo przestrzegać zasad i ostrzeżeń dotyczących obchodzenia się z krwią i płynami ustrojowymi podczas opieki nad wszystkimi pacjentami. Podczas każdego manipulowania urządzeniem musi być pilnie przestrzegana jałowa technika.
- Lekarze muszą mieć świadomość potencjalnych powikłań powiązanych z trombolizą przetoki i graftu, obejmujących:
 - Krwotok
 - Objawową zatorowość płucną
 - Zator tętniczy
 - Reakcję alergiczną na środek kontrastowy
 - Tętniak rzekomy
 - Ból i/lub tkliwość
 - Rozerwanie lub przerwanie naczynia
 - Zakażenie
 - Perforację tętnicy lub żyły
 - Krwiak
 - Zgon
- Podczas usuwania korka z zespolenia tętniczego należy zachować ostrożność, aby zminimalizować ryzyko zatoru tętniczego.
- Z powodu braku wydzielania nerkowego u pacjentów dializowanych, stosowanie środka kontrastowego powinno być podczas zabiegu ograniczone do minimum.
- Może dojść do zmęczeniowego zniszczenia przewodnika falistego CLEANER 15™ w przypadku długotrwałej pracy urządzenia CLEANER 15™. Zaleca się wycofywanie w tempie 1-2 cm/s w przypadku napotkania ostrych zagłębi (tj. promień pętli graftu lub przetoki, zagłęb o średnicy < 3 cm).

SUGEROWANA PROCEDURA:

Stosować technikę jałową.

Przygotowanie pacjenta:

1. Premedykacja odpowiednim anksjolitykiem, lekiem przeciwbólowym i/lub antybiotykiem, zgodnie z protokołem obowiązującym w szpitalu.

Test działania urządzenia:

2. Wyjąć system do trombektomii rotacyjnej CLEANER 15™ z opakowania. Nacisnąć przycisk ON/OFF (WŁ/WYŁ), upewniając się, że sinusoidalny przewodnik obraca się swobodnie (patrz rys. 2) Zwolnić przycisk, aby zatrzymać rotator. **Uwaga: Nie wolno używać urządzenia, jeżeli nie uruchomi się niezwłocznie po naciśnięciu przełącznika i nie zatrzyma się niezwłocznie po jego zwolnieniu.**
3. Przepłukać cewnik CLEANER 15™ heparynizowanym roztworem soli fizjologicznej przez port przepłukiwania światła cewnika. Przed zabiegiem ustawić zawór z powrotem w położeniu wyłączonym.

Zabieg trombolizy:

4. Zabieg trombolizy CLEANER 15™ należy wykonać pod kontrolą fluoroskopii ciągłej. Nie uruchamiać rotacji przewodnika falistego (nie włączać urządzenia), jeżeli nie zostało potwierdzone poprawne położenie urządzenia w przetoce lub w graficie.
5. Przygotować i obłożyć miejsce nakłucia zgodnie z wymaganiami.
6. Podać środek znieczulający miejscowo w miejsce nakłucia w celu wprowadzenia koszulki żyłnej.
7. Wybrać koszulkę o odpowiednim rozmiarze, aby pomieściła cewnik CLEANER 15™ i inne urządzenia/cewniki, które mogą być używane podczas zabiegu. Maksymalny rozmiar przewodnika zależeć będzie od wybranego zestawu koszulki introduktora/rozszerzacza.

Grafty i przetoki

8. Przygotować i umieścić koszulkę żylną introduktora zgodnie z protokołem obowiązującym w szpitalu. Koszulka żylna powinna być umieszczona w części żyłnej graftu i skierowana w stronę zespolenia żylnego. W przypadku przetok, umieszczenie koszulki żyłnej może być opcjonalne, zależnie od wielkości skrzepliny w naczyniu. Jeżeli stosowana jest koszulka żylna, powinna być ona umieszczona w części żyłnej przetoki i skierowana w stronę centralnego odpływu zespolenia żylnego. Uwaga: Jeżeli w przetocze tętniczo-żylny nie jest stosowana koszulka, należy przejść do etapu 16.
9. Umieścić urządzenie w położeniu osłoniętym, popychając dźwignię suwaka do położenia dystalnego i obracając ją do zablokowania w położeniu osłoniętym (patrz Rysunek 3). W położeniu osłoniętym z cewnika powinna wystawać tylko giętka końcówka przewodnika sinusoidalnego. Urządzenia nie wolno uruchamiać w położeniu osłoniętym.
10. Podczas wprowadzania przez kraniak koszulki należy podtrzymywać giętką końcówkę między kciukiem a palcem wskazującym. Wprowadzić osłonięte urządzenie przez koszulkę żylną do przetoki lub graftu.
11. W przypadku graftu, giętką końcówkę należy wprowadzić do zespolenia żylnego. **Ostrzeżenie: Nie wolno wprowadzać jej poza zespolenie.** W przypadku przetoki, wprowadzić giętką końcówkę, aby sięgnęła jak najdalej centralnie w stosunku do skrzepliny. Odsłonić sinusoidalny przewodnik odblokowując, wycofując suwak dźwigni do końca i obracając go do momentu usłyszenia kliknięcia (patrz rysunek 4). Potwierdzić za pomocą fluoroskopii położenie urządzenia w obrębie przetoki lub graftu. Aby włączyć rotację, należy nacisnąć przycisk ON/OFF (Wi./Wyt.).
Uwaga: Należy zachować ostrożność podczas odsłaniania przewodnika, aby uniknąć wprowadzenia go poprzez skrzep poza zespolenie.
12. Po uruchomieniu urządzenia należy powoli wycofywać obracający się przewodnik falisty wzdłuż przetoki lub graftu, podając jednocześnie wlew środka leczniczego przez port infuzyjny w celu rozdzielania skrzepliny. **Ostrzeżenie: Podczas napotkania ostrych zakrętów zalecane tempo wycofywania to 1-2 cm/s.** W momencie, gdy przewodnik falisty osiągnie końcówkę koszulki żyłnej należy zwolnić przełącznik, aby wyłączyć rotator.
13. Osłonić urządzenie i wyjąć je z obwodowego układu naczyniowego. Przepłukać światło przewodnika heparynizowanym roztworem soli fizjologicznej i ręcznie usunąć nagromadzoną fibrynę z przewodnika sinusoidalnego.
14. Zaaspirować zmacerowaną skrzeplinę przez koszulkę i wyrzucić aspirat. **Uwaga: Kontynuowanie nieudanej aspiracji może spowodować zapadnięcie się koszulki i graftu/przetoki.**
15. Wstrzyknąć niewielką ilość środka kontrastowego poprzez koszulkę żylną w celu oceny wykonanego stopnia usunięcia skrzepu. **Ostrzeżenie: Unikać nadmiernego wstrzykiwania kontrastu, aby zminimalizować ryzyko zatoru tętniczego.** Pozostałą część skrzepliny usuwać, powtarzając etapy 11-14 do momentu osiągnięcia dostatecznego stopnia usunięcia skrzepu.
16. Podać środek znieczulający miejscowo w miejsce nakłucia w celu wprowadzenia koszulki tętniczej. Przygotować i umieścić koszulkę tętniczą introduktora zgodnie z protokołem obowiązującym w szpitalu. Koszulka tętnicza powinna być skierowana w stronę zespolenia tętniczego. **Uwaga: Końcówki koszulki tętniczej i żyłnej nie mogą na siebie zachodzić.**
17. Podczas wprowadzania przez kraniak koszulki należy podtrzymywać giętką końcówkę między kciukiem a palcem wskazującym. Wprowadzić osłonięte urządzenie przez koszulkę tętniczą do ramienia tętniczego przetoki lub graftu.
18. W przypadku graftu giętką końcówkę należy wprowadzić do zespolenia tętniczego. **Ostrzeżenie: Nie wolno wprowadzać jej poza zespolenie.** W przypadku przetoki wprowadzić giętką końcówkę, aby sięgnęła jak najdalej centralnie w stosunku do skrzepliny. Odsłonić przewodnik falisty, odblokowując i wycofując suwak dźwigni do końca oraz obracając go do momentu usłyszenia kliknięcia. Potwierdzić za pomocą fluoroskopii położenie urządzenia w obrębie przetoki lub graftu. Aby włączyć rotację, należy nacisnąć przycisk ON/OFF (Wi./Wyt.).
19. Po uruchomieniu urządzenia należy powoli wycofywać obracający się przewodnik falisty w położeniu osłoniętym wzdłuż przetoki lub graftu, podając jednocześnie wlew środka leczniczego przez port infuzyjny w celu rozdzielania skrzepliny. **Ostrzeżenie: Podczas napotkania ostrych zakrętów zalecane tempo wycofywania to 1-2 cm/s.** W momencie, gdy przewodnik falisty osiągnie końcówkę koszulki tętniczej należy zwolnić przełącznik, aby wyłączyć rotator.
20. Zakryć urządzenie i wyjąć je z naczynia obwodowego. Przepłukać światło przewodnika heparynizowanym roztworem soli fizjologicznej i ręcznie usunąć nagromadzoną fibrynę z przewodnika sinusoidalnego.
21. Zaaspirować zmacerowaną skrzeplinę przez dowolną koszulkę i usunąć aspirat. **Uwaga: Kontynuowanie nieudanej aspiracji może spowodować zapadnięcie się koszulki i graftu/przetoki.**
22. Przeprowadzić odpowiedni cewnik przez koszulkę tętniczą i ostrożnie wsunąć ją poza zespolenie tętnicze graftu lub przetoki. Napełnić balon, jeżeli jest to cewnik balonowy. Podciągnąć korek tętniczy na środek odnogi tętniczej. Opróżnić balon i wyjąć cewnik balonowy.
23. Wprowadzić ponownie osłonięte urządzenie CLEANER 15™ przez koszulkę tętniczą do ramienia tętniczego graftu lub przetoki.
24. Odsłonić przewodnik falisty i uruchomić urządzenie, aby rozbić korek tętniczy, używając środka kontrastowego do prowadzenia maceracji.
25. Zakryć urządzenie i wyjąć je z obwodowego układu naczyniowego. Przepłukać światło przewodnika heparynizowanym roztworem soli fizjologicznej i ręcznie usunąć nagromadzoną fibrynę z przewodnika sinusoidalnego.
26. Zaaspirować zmacerowaną skrzeplinę przez koszulkę i usunąć aspirat.
27. Wstrzyknąć środek kontrastowy, aby ocenić stopień usunięcia skrzepu. Pozostałości skrzepu usunąć za pomocą urządzenia CLEANER 15™ przez dowolną koszulkę, według potrzeb.
28. Po zakończeniu usuwania skrzepu należy podjąć leczenie choroby podstawowej lub zwężenia zgodnie z protokołem obowiązującym w szpitalu.
29. Wykonać końcowe badanie fistulograficzne.
30. Usunąć koszulkę z przetoki lub graftu.
31. Zatrzymać krwawienie w miejscu wkłucia zgodnie z protokołem obowiązującym w szpitalu.

OSTRZEŻENIE:

Wyłącznie do jedнокrotnego użytku. Nie używać ponownie, nie poddawać przygotowaniom do ponownego użycia ani nie sterylizować ponownie. Ponowne użycie, przygotowywanie do ponownego użycia lub sterylizacja mogą naruszyć całość urządzenia i/lub spowodować jego awarię, która z kolei może doprowadzić do obrażeń, choroby lub zgonu pacjenta. Przygotowywanie do ponownego użycia lub ponowna sterylizacja może również stworzyć ryzyko zanieczyszczenia urządzenia i/lub grozi zakażeniem pacjenta lub krzyżowym przeniesieniem zakażenia, łącznie z możliwością przeniesienia choroby zakaźnej między pacjentami. Zanieczyszczenie urządzenia może doprowadzić do obrażeń, choroby lub zgonu pacjenta.

PRZECHOWYWANIE:

Przechowywać w kontrolowanej temperaturze pokojowej. Nie narażać na działanie rozpuszczalników organicznych, promieniowania jonizującego ani światła ultrafioletowego.

UTYLIZACJA:

System cewnika należy utylizować zgodnie z dyrektywą WEEE dotyczącą utylizacji sprzętu elektrycznego i elektronicznego oraz zgodnie ze standardowymi procedurami placówki dotyczącymi odpadów medycznych, między innymi urządzeń jednorazowego użytku mających styczność z krwią.

WYŁĄCZENIE ODPOWIEDZIALNOŚCI Z TYTUŁU GWARANCJI I OGRANICZENIE ODSZKODOWANIA:

Producent nie daje żadnej gwarancji wyraźnej lub domniemanej, w tym między innymi domniemanej gwarancji handlowej ani przydatności do określonego celu, w związku z produktem(ami) firmy Argon Medical opisanymi w niniejszej publikacji. W żadnych okolicznościach firma Argon Medical nie będzie ponosić jakiegokolwiek odpowiedzialności za szkody bezpośrednie, przypadkowe lub wtórne inne niż wyraźnie określono przez przepisy prawne. Żadna osoba nie jest upoważniona do prawnego zobowiązania firmy Argon Medical do oświadczenia lub gwarancji z wyjątkiem wyszczególnionych w niniejszym dokumencie.

Opisy lub specyfikacje zawarte w wydrukowanych materiałach firmy Argon Medical, w tym w niniejszej publikacji, mają wyłącznie na celu opis ogólny produktu w czasie jego produkcji i nie stanowią żadnej wyrażonej gwarancji.

Firma Argon Medical nie będzie ponosić odpowiedzialności za jakiegokolwiek bezpośrednie, przypadkowe lub wtórne szkody spowodowane ponownym użyciem produktu.



MEDICAL — GENERAL MEDICAL EQUIPMENT
AS TO ELECTRICAL SHOCK, FIRE AND MECHANICAL HAZARDS ONLY
IN ACCORDANCE WITH IEC60601-1 3rd Ed. & CAN/CSA-C22.2
NO. 60601.1 (2008), AAMI ES 60601-1:2008
4CR3



Wersja elektroniczna słownika symboli znajduje się na stronie
www.argonmedical.com/symbols



EMERGO EUROPE
Westervoortsedijk 60
6827 AT Arnhem
The Netherlands
+31 70 345 8570



ARGON MEDICAL DEVICES, INC.
1445 Flat Creek Road
Athens, Texas 75751 USA
Tel: +1 (903) 675 9321
Tel: +1 (800) 927 4669
www.argonmedical.com



Emergo Consulting (UK) Limited
c/o Cr 360 - UL International
Compass House, Vision Park Histon
Cambridge CB24 9BZ
United Kingdom

CLEANER 15™

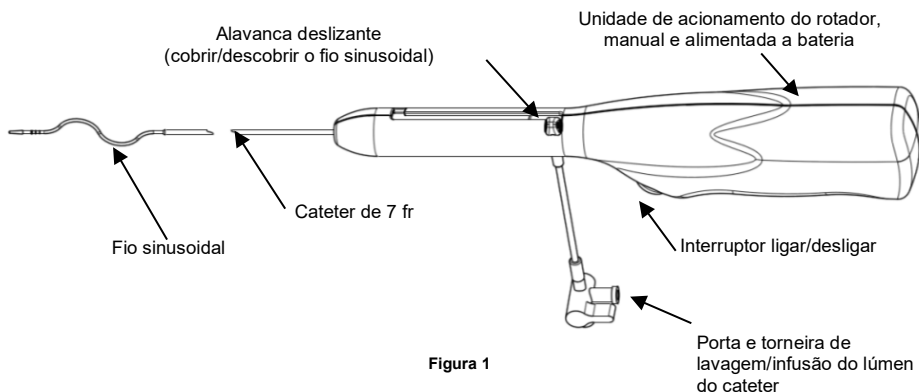
Rotational Thrombectomy System

Portuguese - Leia todas as instruções antes de utilizar

	páginas
Instruções de utilização na vasculatura periférica	1-4
Instruções de utilização em enxertos e fistulas	5-6

DESCRIÇÃO DO DISPOSITIVO:

O sistema de trombectomia rotativa CLEANER 15™ é um sistema baseado num cateter percutâneo de 7 fr (construção de peça única). Uma unidade de acionamento do rotador, manual e alimentada a bateria, está ligada a um fio sinusoidal que roda a cerca de 4000 RPM. O fio e a ponta suave atraumática são radiopacos para permitir a visualização por fluoroscopia.



INDICAÇÕES DE UTILIZAÇÃO:

O sistema de trombectomia rotativa CLEANER 15™ é indicado para a remoção mecânica de coágulos e para a infusão controlada e seletiva de fluidos especificados pelo médico, incluindo trombolíticos, na vasculatura periférica.

CONTRAINDICAÇÕES:

O sistema de trombectomia rotativa CLEANER 15™ está contraindicado nas seguintes situações:

- Este sistema está contraindicado se, de acordo com a avaliação do médico, o procedimento for passível de comprometer a condição do doente.
- Não foi concebido para efeitos de dilatação da vasculatura periférica.
- Este sistema não se destina a ser utilizado na infusão de sangue ou de produtos sanguíneos.
- Consulte o folheto informativo do produto da solução terapêutica preferencial para obter todas as indicações, contraindicações, efeitos secundários e precauções.
- Em vasos sanguíneos nativos com um diâmetro inferior a 6 mm
- Em doentes sem um filtro vascular como, por exemplo, um filtro da veia cava inferior.

Vasculatura periférica

AVISOS E PRECAUÇÕES:

- Antes da utilização, leia todos os avisos, precauções e instruções do folheto informativo. Caso contrário, pode causar lesões graves e a morte do doente.
- Estes procedimentos só devem ser efetuados por médicos e técnicos familiarizados com o equipamento e as técnicas envolvidas. O dispositivo foi esterilizado com óxido de etileno e mantém-se estéril a menos que a embalagem tenha sido aberta ou danificada. Antes de utilizar o dispositivo, verifique a embalagem. Se estiver danificada, NÃO O UTILIZE. O dispositivo destina-se a ser utilizado num único doente. NÃO O REUTILIZE NEM O REESTERILIZE.
- Antes da utilização, examine cuidadosamente o sistema de trombectomia rotativa CLEANER 15™ e certifique-se de que não sofreu danos durante o transporte. Se os componentes do produto apresentarem sinais de danos, NÃO OS UTILIZE.
- Devido ao risco de exposição ao VIH (Vírus da Imunodeficiência Humana) ou a outros agentes patogénicos sanguíneos, os profissionais de saúde devem aplicar de forma rotineira as precauções universais relativas ao sangue e aos fluidos sanguíneos, durante os tratamentos prestados aos doentes. Durante o manuseamento do dispositivo, as técnicas assépticas devem ser rigorosamente cumpridas.
- Se sentir resistência, não faça avançar o fio sem primeiro determinar a causa da mesma por fluoroscopia e sem tomar todas as medidas corretivas necessárias. O uso de força excessiva contra a resistência sentida pode causar danos no dispositivo ou na vasculatura.
- Antes da introdução e sempre que remover o CLEANER 15™ do sistema vascular, lave o cateter.
- Se o cateter ou o fio guia ficarem torcidos ou danificados durante a respetiva utilização, interrompa o procedimento e substitua-os.
- Os profissionais médicos devem ter em consideração as possíveis complicações associadas a uma trombólise da vasculatura periférica, incluindo:
 - Perfuração ou rutura do vaso sanguíneo
 - Vasoespasmos
 - Hematoma
 - Sepsis/infeção
 - Disrupção da íntima
 - Trombose vascular
 - Reação alérgica ao meio de contraste
 - Episódios tromboembólicos
 - Embolização distal de coágulos sanguíneos
 - Hemorragia
 - Dor e sensibilidade
 - Tromboflebite
 - Dissecção arterial
 - Reações a fármacos
 - Fístula arteriovenosa
 - Amputação
- A ativação prolongada do dispositivo CLEANER 15™ pode dar origem a uma falha por fadiga do fio sinusoidal do CLEANER 15™. Recomenda-se uma velocidade de recuo de 1-2 cm/segundo sempre que encontrar curvaturas acentuadas (isto é, a curvatura de um enxerto ou fístula em alça, curvaturas < 3 cm).

PROCEDIMENTO SUGERIDO:

Utilize uma técnica estéril.

Preparação do doente:

1. Medique previamente o doente com um ansiolítico, um analgésico e/ou um antibiótico adequado, de acordo com o protocolo hospitalar.

Teste de desempenho do dispositivo:

2. Retire o sistema de trombectomia rotativa CLEANER 15™ da embalagem. Prima o interruptor ligar/desligar para se certificar de que o fio sinusoidal roda livremente (consulte a Figura 2). Solte o interruptor para parar o rotador. **Precaução: não utilize o dispositivo caso este não se ative de imediato depois de premir o interruptor nem se desative de imediato depois de soltar o interruptor.**

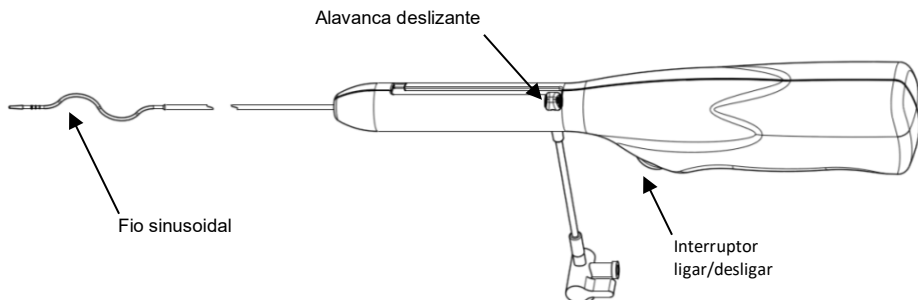


Figura 2

Vasculatura periférica

3. Encaixe uma seringa de agente terapêutico ou de solução salina heparinizada na porta de lavagem do cateter e lave o cateter do CLEANER 15™. Certifique-se de que o líquido sai pelo orifício mais distal do cateter, situado junto à extremidade do mesmo. Feche a torneira para “bloquear” o agente terapêutico ou a heparina no cateter e retire a seringa.

Tratamento:

O procedimento exato de tratamento deve ser determinado pelo médico. A opção seguinte descreve uma forma possível de realizar o procedimento.

4. Efetue o procedimento por fluoroscopia contínua. Não inicie a rotação do fio sinusoidal (ativação do dispositivo) enquanto não tiver confirmado o posicionamento adequado do dispositivo dentro da vasculatura periférica.
5. Prepare e proteja o local da punção conforme necessário.
6. Administre anestésico local no local da punção para inserir a bainha venosa.
7. Selecione uma bainha com a dimensão adequada para acomodar o cateter do CLEANER 15™ e outros dispositivos/cateteres que possam ser utilizados durante o procedimento. A dimensão máxima do fio guia depende do conjunto de bainha introdutora/dilatador selecionado. Se atravessar a bifurcação ilíaca, deve utilizar-se uma bainha comprida e reforçada.
8. Prepare e posicione a bainha introdutora venosa de acordo com o protocolo hospitalar. A bainha venosa deve ficar posicionada no limbo venoso da vasculatura periférica e direcionada para o local de tratamento. A colocação da bainha venosa pode ser opcional, dependendo da extensão do coágulo no interior do vaso sanguíneo.
9. Coloque o dispositivo na posição coberta; empurre a alavanca deslizante para a posição distal e rode-a para bloquear na posição coberta (consulte a Figura 3). Na posição coberta, apenas a ponta flexível do fio sinusoidal deve prolongar-se para lá do cateter. **Aviso: o dispositivo não deve ser ativado na posição oculta.**
10. Apoie a ponta flexível entre o polegar e o indicador durante a inserção através da válvula da bainha. Insira o dispositivo coberto através da bainha venosa e na direção do limbo venoso da vasculatura periférica.
11. Encaixe uma seringa de 10cc com o agente terapêutico a utilizar para infusão na torneira. Abra a torneira para permitir o fluxo. **Aviso: não permita o refluxo de sangue para o cateter.**

Nota: siga as instruções do fabricante relativas à reconstituição e à diluição de líquidos específicos.

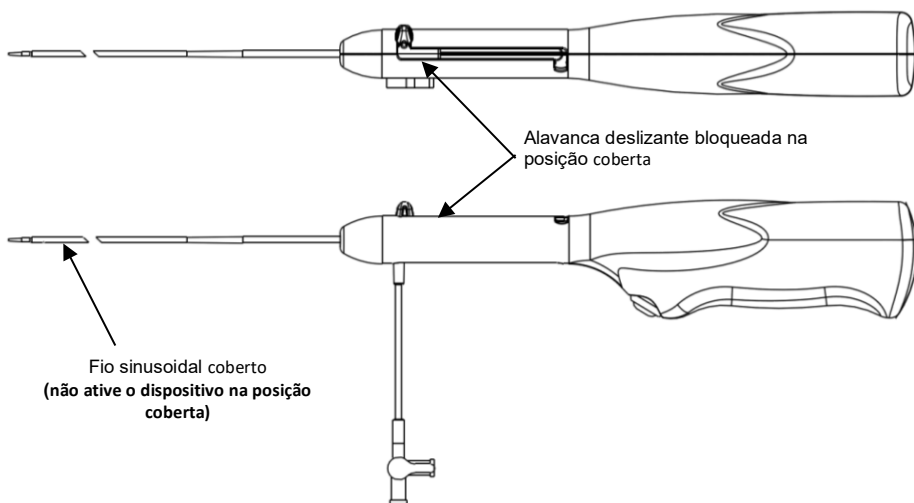


Figura 3

12. Faça avançar a ponta flexível até ao ponto mais distal do coágulo. Desbloqueie e faça recuar totalmente a alavanca deslizante para descobrir o fio sinusoidal e rode a alavanca até ouvir um “clique” (consulte a Figura 4). Confirme o posicionamento do dispositivo no interior do local de tratamento através de fluoroscopia. Prima o interruptor ligar/desligar para ativar a rotação.

Vasculatura periférica

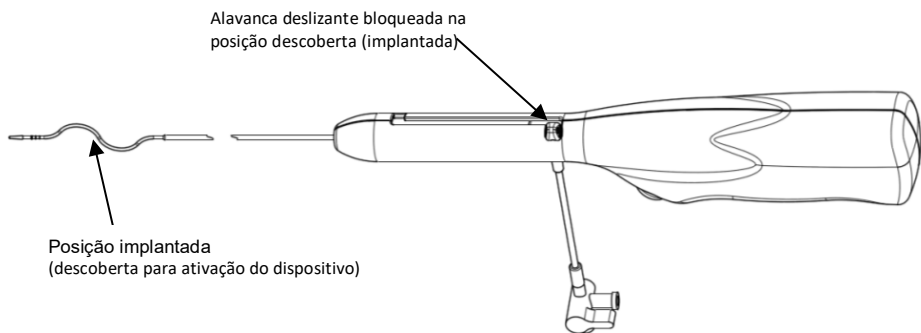


Figura 4

13. Com o dispositivo ativado, faça recuar lentamente o fio sinusoidal rotativo ao longo do local de tratamento e infunda agente terapêutico através da porta de infusão para dissolver o coágulo. **Aviso: recomenda-se uma velocidade de recuo de 1-2 cm/segundo sempre que encontrar curvaturas acentuadas.** Quando o fio sinusoidal alcançar a ponta da bainha venosa, solte o interruptor para desativar o fio de dispersão rotativo.
14. Cubra o dispositivo e retire-o da vasculatura periférica. Lave o lúmen do cateter com solução salina heparinizada e retire manualmente qualquer fibrina acumulada do fio sinusoidal.
15. Aspire o coágulo macerado através da bainha e elimine o aspirado. **Precaução: uma aspiração contínua inadequada pode fazer colapsar a bainha e o vaso.**
16. Injete uma pequena quantidade de meio de contraste através da bainha venosa para avaliar o grau de remoção do coágulo. **Aviso: evite injetar demasiado meio de contraste para minimizar o risco de ocorrência de embolização.** Trate o coágulo residual repetindo os passos 11-15 até obter um nível aceitável de remoção do mesmo.
17. Quando terminar a remoção do coágulo, trate qualquer doença ou estenose subjacente de acordo com o protocolo hospitalar.
18. Realize o angiograma final.
19. Retire as bainhas da vasculatura periférica.
20. Obtenha uma hemostasia no(s) local(ais) da punção de acordo com o protocolo hospitalar.

Enxertos e fístulas

INDICAÇÕES DE UTILIZAÇÃO:

O sistema de trombectomia rotativa CLEANER 15™ é indicado para a remoção mecânica de coágulos de fístulas para diálise e de enxertos sintéticos de acesso para diálise em vasos sanguíneos nativos.

CONTRAINDICAÇÕES:

O sistema de trombectomia rotativa CLEANER 15™ está contraindicado nas seguintes situações:

- Se, de acordo com a avaliação do médico, o procedimento for passível de comprometer a condição do doente.
- Em vasos sanguíneos nativos com um diâmetro inferior a 6 mm
- Presença de infecção no local de acesso da hemodiálise.
- Fístulas para diálise em vasos sanguíneos nativos imaturos (fístulas que não são usadas há, pelo menos, um tratamento de hemodiálise).

AVISOS E PRECAUÇÕES:

- Antes da utilização, leia todos os avisos, precauções e instruções do folheto informativo. Caso contrário, pode causar lesões graves e a morte do doente.
- Estes procedimentos só devem ser efetuados por médicos e técnicos familiarizados com o equipamento e as técnicas envolvidas. O dispositivo foi esterilizado com óxido de etileno e mantém-se estéril a menos que a embalagem tenha sido aberta ou danificada. Antes de utilizar o dispositivo, verifique a embalagem. Se estiver danificada, NÃO O UTILIZE. O dispositivo destina-se a ser utilizado num único doente. NÃO O REUTILIZE NEM O REESTERILIZE.
- Antes da utilização, examine cuidadosamente o sistema de trombectomia rotativa CLEANER 15™ e certifique-se de que não sofreu danos durante o transporte. Se os componentes do produto apresentarem sinais de danos, NÃO OS UTILIZE.
- Devido ao risco de exposição ao VIH (Vírus da Imunodeficiência Humana) ou a outros agentes patogénicos sanguíneos, os profissionais de saúde devem aplicar de forma rotineira as precauções universais relativas ao sangue e aos fluidos sanguíneos, durante os tratamentos prestados aos doentes. Durante o manuseamento do dispositivo, as técnicas assépticas devem ser rigorosamente cumpridas.
- Os profissionais médicos devem ter em consideração as possíveis complicações associadas a uma fístula para diálise e a uma trombólise do enxerto, incluindo:
 - Hemorragia
 - Embolia pulmonar sintomática
 - Embolização arterial
 - Reação alérgica aos meios de contraste
 - Pseudoaneurisma
 - Dor e/ou sensibilidade
 - Laceração ou ruptura do vaso sanguíneo
 - Infecção
 - Perfuração da artéria ou veia
 - Hematoma
 - Morte
- Ao remover o obturador da anastomose arterial, deve agir com cuidado para minimizar o risco de ocorrência de uma embolização arterial.
- Devido à falta de excreção associada aos doentes submetidos a hemodiálise, o uso de meio de contraste deve ser mantido em níveis mínimos durante todo o procedimento.
- A ativação prolongada do dispositivo CLEANER 15™ pode dar origem a uma falha por fadiga do fio sinusoidal do CLEANER 15™. Recomenda-se uma velocidade de recuo de 1-2 cm/segundo sempre que encontrar curvaturas acentuadas (isto é, a curvatura de um enxerto ou fístula em alça, curvaturas < 3 cm).

PROCEDIMENTO SUGERIDO:

Utilize uma técnica estéril.

Preparação do doente:

1. Medique previamente o doente com um ansiolítico, um analgésico e/ou um antibiótico adequado, de acordo com o protocolo hospitalar.

Teste de desempenho do dispositivo:

2. Retire o sistema de trombectomia rotativa CLEANER 15™ da embalagem. Prima o interruptor ligar/desligar para se certificar de que o fio sinusoidal roda livremente (consulte a Figura 2). Solte o interruptor para parar o rotador. **Precaução: não utilize o dispositivo caso este não se ative de imediato depois de premir o interruptor nem se desative de imediato depois de soltar o interruptor.**
3. Lave o cateter do CLEANER 15™ com solução salina heparinizada através da porta de lavagem do lúmen do cateter. Antes de uma nova utilização, feche a torneira.

Procedimento de trombólise:

4. Realize o procedimento de trombólise do CLEANER 15™ mediante fluoroscopia contínua. Não inicie a rotação do fio sinusoidal (ativação do dispositivo) enquanto não tiver confirmado o posicionamento adequado do dispositivo dentro da fístula ou do enxerto.
5. Prepare e proteja o local da punção conforme necessário.
6. Administre anestésico local no local da punção para inserir a bainha venosa.

Enxertos e fístulas

7. Selecione uma bainha com a dimensão adequada para acomodar o cateter do CLEANER 15™ e outros dispositivos/cateteres que possam ser utilizados durante o procedimento. A dimensão máxima do fio guia depende do conjunto de bainha introdutora/dilatador selecionado.
8. Prepare e posicione a bainha introdutora venosa de acordo com o protocolo hospitalar. A bainha venosa deve ficar posicionada no limbo venoso do enxerto e direcionada para a anastomose venosa. No caso de fístulas, a colocação da bainha venosa pode ser opcional, dependendo da extensão do coágulo no interior do vaso sanguíneo. Se utilizar uma bainha venosa, esta deve ficar posicionada no limbo venoso da fístula e direcionada para a saída venosa central. Nota: Se não utilizar uma bainha venosa com a fístula arteriovenosa, avence para o passo 16.
9. Coloque o dispositivo na posição coberta; empurre a alavanca deslizante para a posição distal e rode-a para bloquear na posição coberta (consulte a Figura 3). Na posição coberta, apenas a ponta flexível do fio sinusoidal deve prolongar-se para lá do cateter. O dispositivo não deve ser ativado na posição oculta.
10. Apoie a ponta flexível entre o polegar e o indicador durante a inserção através da válvula da bainha. Insira o dispositivo coberto através da bainha venosa e na direção do limbo venoso da fístula ou do enxerto.
11. No caso de um enxerto, faça avançar a ponta flexível até à anastomose venosa. **Aviso: não faça avançar a ponta para lá da anastomose. Numa fístula, faça avançar a ponta flexível até ao ponto mais central do coágulo.** Desbloqueie e faça recuar totalmente a alavanca deslizante para descobrir o fio sinusoidal e rode a alavanca até ouvir um "clique" (consulte a Figura 4). Confirme o posicionamento do dispositivo no interior da fístula ou do enxerto através de fluoroscopia. Prima o interruptor ligar/desligar para ativar a rotação.
Nota: ao descobrir o fio, tome as precauções necessárias para evitar fazê-lo avançar até ao coágulo e além da anastomose.
12. Com o dispositivo ativado, faça recuar lentamente o fio sinusoidal rotativo ao longo do enxerto ou da fístula para dissolver o coágulo. **Aviso: recomenda-se uma velocidade de recuo de 1-2 cm/segundo sempre que encontrar curvaturas acentuadas.** Quando o fio sinusoidal alcançar a ponta da bainha venosa, solte o interruptor para desativar o rotador.
13. Cubra o dispositivo e retire-o do enxerto ou da fístula. Lave o lúmen do cateter com solução salina heparinizada e retire manualmente qualquer fibrina acumulada do fio sinusoidal.
14. Aspire o coágulo macerado através da bainha e elimine o aspirado. **Precaução: uma aspiração contínua inadequada pode fazer colapsar a bainha e o enxerto/fístula.**
15. Injete uma pequena quantidade de meio de contraste através da bainha venosa para avaliar o grau de remoção do coágulo. **Aviso: evite injetar demasiado meio de contraste para minimizar o risco de ocorrência de embolização arterial.** Trate o coágulo residual repetindo os passos 11-14 até obter um nível aceitável de remoção do mesmo.
16. Administre anestésico local no local da punção para inserir a bainha arterial. Prepare e posicione a bainha introdutora arterial de acordo com o protocolo hospitalar. A bainha arterial deve ficar direcionada para a anastomose arterial. **Precaução: as pontas arterial e venosa da bainha não devem ficar sobrepostas.**
17. Apoie a ponta flexível entre o polegar e o indicador durante a inserção através da válvula da bainha. Insira o dispositivo coberto através da bainha arterial e na direção do limbo arterial da fístula ou do enxerto.
18. No caso de um enxerto, faça avançar a ponta flexível até à anastomose arterial. **Aviso: não faça avançar a ponta para lá da anastomose. Numa fístula, faça avançar a ponta flexível até ao ponto mais central do coágulo.** Desbloqueie e faça recuar totalmente a alavanca deslizante para descobrir o fio sinusoidal e rode a alavanca até ouvir um "clique". Confirme o posicionamento do dispositivo no interior da fístula ou do enxerto através de fluoroscopia. Prima o interruptor ligar/desligar para ativar a rotação.
19. Com o dispositivo ativado, faça recuar lentamente o fio sinusoidal rotativo, na posição exposta, ao longo do enxerto ou da fístula para dissolver o coágulo. **Aviso: recomenda-se uma velocidade de recuo de 1-2 cm/segundo sempre que encontrar curvaturas acentuadas.** Quando o fio sinusoidal alcançar a ponta da bainha arterial, solte o interruptor para desativar o rotador.
20. Cubra o dispositivo e retire-o do enxerto ou da fístula. Lave o lúmen do cateter com solução salina heparinizada e retire manualmente qualquer fibrina acumulada do fio sinusoidal.
21. Aspire o coágulo macerado através de uma das bainhas e elimine o aspirado. **Precaução: uma aspiração contínua inadequada pode fazer colapsar a bainha e o enxerto/fístula.**
22. Passe um cateter adequado pela bainha arterial e, de forma cuidadosa, faça-o avançar através da anastomose arterial do enxerto ou da fístula. Insufle o balão, caso se trate de um cateter de balão. Empurre o obturador arterial para a secção intermédia do limbo arterial. Esvazie o balão e retire o cateter de balão.
23. Reinsira o dispositivo CLEANER 15™ coberto através da bainha arterial e na direção do limbo arterial do enxerto ou da fístula.
24. Descubra o fio sinusoidal e ative o dispositivo para dissolver o obturador arterial, utilizando meio de contraste para orientar a maceração.
25. Cubra o dispositivo e retire-o do enxerto ou da fístula. Lave o lúmen do cateter com solução salina heparinizada e retire manualmente qualquer fibrina acumulada do fio sinusoidal.
26. Aspire o coágulo macerado através da bainha e elimine o aspirado.
27. Injete meio de contraste para avaliar o grau de remoção do coágulo. Trate os eventuais coágulos residuais com o CLEANER 15™ através de uma das bainhas, consoante necessário.
28. Quando terminar a remoção do coágulo, trate qualquer doença ou estenose subjacente de acordo com o protocolo hospitalar.
29. Realize a fistulografia final.
30. Retire as bainhas da fístula ou do enxerto.
31. Obtenha uma hemostasia no(s) local(ais) da punção de acordo com o protocolo hospitalar.

AVISO:

Apenas para utilização única. Não reutilizar, reprocessar ou reesterilizar. A reutilização, o reprocessamento ou a reesterilização pode comprometer a integridade estrutural do dispositivo e/ou dar origem a uma falha do dispositivo que, por sua vez, pode resultar em lesões, doenças ou morte do doente. A reutilização, o reprocessamento ou a reesterilização também pode dar origem a um risco de contaminação do dispositivo e/ou a infeções ou infeções cruzadas dos doentes, incluindo, entre outras, a transmissão de doença(s) infecciosa(s) de um doente para outro. A contaminação do dispositivo pode resultar em lesões, doenças ou na morte do doente.

ARMAZENAMENTO:

Armazenar a uma temperatura ambiente controlada. Não expor a solventes orgânicos, a radiação ionizante ou a luz ultravioleta.

ELIMINAÇÃO:

Elimine o sistema de cateter de acordo com as disposições da Diretiva de Resíduos de Equipamentos Elétricos e Eletrónicos (DREEE) e de acordo com os procedimentos institucionais padrão relativos a resíduos médicos, incluindo dispositivos de utilização única de contacto com o sangue.

RENÚNCIA DE GARANTIA E LIMITAÇÃO DE RESPONSABILIDADE:

Não é dada qualquer garantia expressa ou implícita, incluindo, entre outras, qualquer garantia implícita de comercialização ou adequação a um determinado fim para o(s) produto(s) da Argon Medical descrito(s) nesta publicação. A Argon Medical não se responsabiliza, em circunstância alguma, por quaisquer danos diretos, indiretos ou acidentais, para além dos expressamente previstos na lei específica. Ninguém tem autoridade para vincular a Argon Medical a qualquer declaração ou garantia, para além das especificadas no presente.

As descrições ou especificações contidas no material impresso da Argon Medical, incluindo esta publicação, destinam-se apenas a descrever de forma genérica o produto na altura do respetivo fabrico e não constituem quaisquer garantias expressas.

A Argon Medical não se responsabiliza por quaisquer danos diretos, indiretos ou acidentais decorrentes da reutilização do produto.



MEDICAL — GENERAL MEDICAL EQUIPMENT
AS TO ELECTRICAL SHOCK, FIRE AND MECHANICAL HAZARDS ONLY
IN ACCORDANCE WITH IEC60601-1 3rd Ed. & CAN/CSA-C22.2
NO. 60601.1 (2008), AAMI ES 60601-1:2008
4CR3



O glossário de símbolos está localizado eletronicamente em www.argonmedical.com/symbols



EMERGO EUROPE
Westervoortsedijk 60
6827 AT Arnhem
The Netherlands
+31 70 345 8570



ARGON MEDICAL DEVICES, INC.
1445 Flat Creek Road
Athens, Texas 75751 USA
Tel: +1 (903) 675 9321
Tel: +1 (800) 927 4669
www.argonmedical.com



Emergo Consulting (UK) Limited
c/o Cr 360 - UL International
Compass House, Vision Park Histon
Cambridge CB24 9BZ
United Kingdom

CLEANER 15™

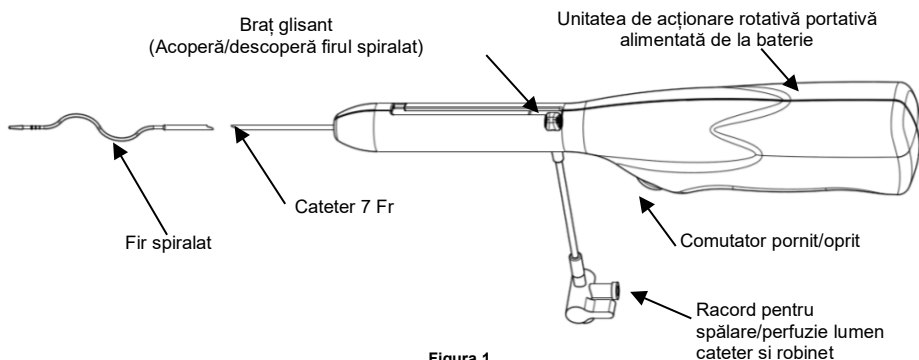
Rotational Thrombectomy System

Romanian - Toate instrucțiunile trebuie citite înainte de utilizare

	pagini
Instrucțiuni de utilizare pentru rețeaua vasculară periferică.....	1-4
Instrucțiuni de utilizare pentru grefe și fistule	5-6

DESCRIEREA DISPOZITIVULUI

Sistemul rotativ de trombectomie CLEANER 15™ este un sistem bazat pe un cateter percutan de 7 Fr (construcție dintr-o singură bucată). O unitate de acționare rotativă portativă de unică folosință, alimentată de la baterie, este atașată la un fir spiralat care se rotește cu aproximativ 4000 rpm. Firul și vârful său moale atraumatic sunt radioopace la vizualizarea fluoroscopică.



INDICAȚII DE UTILIZARE

Sistemul rotativ de trombectomie CLEANER 15™ este indicat pentru îndepărtarea mecanică a cheagurilor și perfuzarea controlată și selectivă a fluidelor specificate de medic, inclusiv trombolitice, în rețeaua vasculară periferică.

CONTRAINDICAȚII

Sistemul rotativ de trombectomie CLEANER 15™ este contraindicat în următoarele situații:

- Acest sistem este contraindicat când, conform evaluării medicale a medicului, o asemenea procedură poate compromite starea pacientului.
- Nu este proiectat pentru dilatarea vaselor sistemului vascular periferic.
- Sistemul nu este destinat perfuzării de sânge sau produse sanguine.
- Consultați prospectul soluției terapeutice de selecție pentru indicații, contraindicații, efecte secundare și precauții.
- La vasele sanguine native cu diametrul mai mic de 6 mm
- La pacienții fără filtru vascular, cum este filtrul de venă cavă inferioară.

Rețeaua vasculară periferică

AVERTISMENTE ȘI MĂSURI DE PRECAUȚIE

- Înainte de utilizare, citiți toate avertismentele, măsurile de precauție și instrucțiunile din prospectul din pachet. Nerespectarea acestor indicații poate avea ca rezultat vătămarea gravă și moartea pacientului.
- Aceste proceduri trebuie efectuate numai de către medici și personal familiarizați cu echipamentul și tehnicile implicate. Dispozitivul a fost sterilizat cu EtO și este steril, dacă pachetul nu este deschis sau deteriorat. Pachetul trebuie examinat înainte de utilizare; dacă este deteriorat, NU UTILIZAȚI. Dispozitivul este destinat utilizării la un singur pacient; NU REUTILIZAȚI SAU RESTERILIZAȚI.
- Înainte de utilizare, examinați cu atenție sistemul rotativ de trombectomie CLEANER 15™ pentru a verifica dacă nu a fost deteriorat în timpul transportului. Dacă componentele produsului prezintă orice urmă de deteriorare, NU UTILIZAȚI.
- Din cauza riscului de expunere la HIV (virusul imunodeficienței umane) sau la alți agenți patogeni transmiși prin sânge, lucrătorii din domeniul sanitar trebuie să aplice de rutină măsuri de precauție universale privind sângele și fluidele corporale la îngrijirea tuturor pacienților. Trebuie respectată cu strictețe tehnica sterilă în timpul oricărei manipulări a dispozitivului.
- Nu avansați, dacă se întâmpină rezistență, fără a determina mai întâi cauza rezistenței sub fluoroscopie și fără a lua măsurile de remediere necesare. Exercițierea unei forțe excesive contra rezistenței poate avea ca rezultat deteriorarea dispozitivului sau a rețelei vasculare.
- Înainte de introducerea și ori de câte ori dispozitivul CLEANER 15™ este extras din sistemul vascular, cateterul trebuie spălat.
- Dacă firul de ghidaj sau cateterul se îndoaie sau se deteriorează în alt fel în timpul utilizării, opriți utilizarea și înlocuiți-le.
- Medicii practicanți trebuie să fie conștienți de complicațiile potențiale asociate cu tromboliza rețelei vasculare periferice, inclusiv:
 - Perforare sau rupere a vasului sanguin
 - Spasm vascular
 - Hematom
 - Septicemie/infecție
 - Ruptură intimală
 - Tromboză vasculară
 - Reacție alergică la agentul de contrast
 - Episoade tromboembolice
 - Embolizare distală a cheagurilor de sânge
 - Hemoragie
 - Durere și sensibilitate
 - Tromboflebită
 - Disecție arterială
 - Reacții la medicamente
 - Fistulă arterio-venoasă
 - Amputare
- Deteriorarea din cauza oboselei materialului firului spiralat al dispozitivului CLEANER 15™ poate apărea la activarea prelungită a dispozitivului CLEANER 15™. Se recomandă o viteză de extragere de 1-2 cm/secundă atunci când se întâlnesc raze de curbură mici (de ex. raza unei grefe în buclă sau a unei fistule < 3 cm).

O PROCEDURĂ RECOMANDATĂ

Utilizați tehnică sterilă.

Pregătirea pacientului

1. Administrați în premedicație anxiolitice, analgezice și/sau antibiotice corespunzătoare, conform protocolului spitalului.

Testarea funcționării dispozitivului

2. Scoateți din pachet sistemul rotativ de trombectomie CLEANER 15™. Apăsăți butonul ON/OFF (pornit/oprit) pentru a vă asigura că firul spiralat se rotește liber (consultați fig. 2). Eliberați comutatorul pentru a opri dispozitivul de rotire. **Precauție: nu utilizați dispozitivul dacă nu se activează imediat când se apasă comutatorul și nu se dezactivează imediat ce comutatorul este eliberat.**

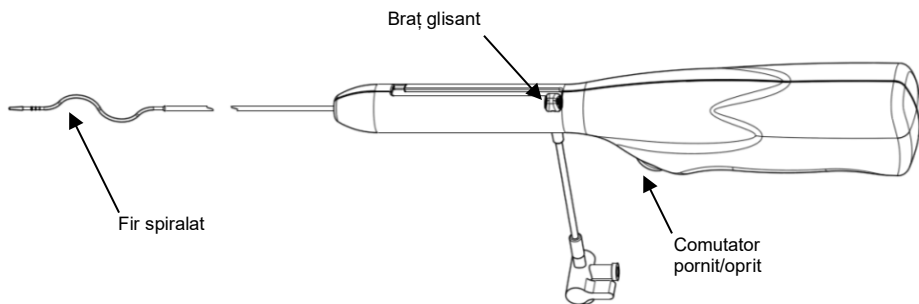


Figura 2

Rețeaua vasculară periferică

- Atașați o seringă cu agent terapeutic sau cu soluție salină heparinizată la racordul de spălare al cateterului și spălați cateterul CLEANER 15™. Asigurați-vă că fluidul iese prin orificiul cel mai distal al cateterului, care se află aproape de capătul cateterului. Închideți robinetul pentru a „bloca” agentul terapeutic sau heparina în cateter și îndepărtați seringă.

Tratament

Procedura de tratament exactă va fi determinată de medic. Următoarea opțiune prezintă modul în care se poate efectua procedura.

- Efectuați procedura sub fluoroscopie continuă. Nu inițiați rotirea firului spiralat (activarea dispozitivului) decât dacă poziționarea corectă a dispozitivului în interiorul rețelei vasculare periferice este confirmată.
- Pregătiți și acoperiți locul puncției după necesități.
- Administrați anestezic local la locul puncției pentru introducerea tecii venoase.
- Selecțați o teacă de dimensiuni potrivite în care să încapă cateterul CLEANER 15™ și alte dispozitive/catetere care pot fi utilizate în cursul procedurii. Dimensiunea maximă a firului de ghidaj va depinde de ansamblul teacă a dispozitivului de introducere/dilatator ales. Dacă se trece de bifurcația iliacă, trebuie utilizată o teacă lungă ranforsată.
- Pregătiți și plasați teaca venoasă a dispozitivului de introducere conform protocolului spitalului. Teaca venoasă trebuie să fie plasată în ramura venoasă a rețelei vasculare periferice și trebuie să fie direcționată către situsul de tratament. Plasarea tecii venoase poate fi opțională, depinzând de aglomerarea de cheaguri în vas.
- Puneți dispozitivul în poziția acoperit prin împingerea brațului glisant în poziția distală și rotirea brațului glisant până la blocarea sa în poziția acoperit (consultați fig. 3). Când se află în poziția acoperit, numai vârful flexibil al firului spiralat trebuie să fie ieșit din cateter. **Avertisment: dispozitivul nu trebuie activat în poziția acoperit.**
- Țineți vârful flexibil între degetul mare și arătător în timpul inserției prin valva tecii. Introduceți dispozitivul acoperit prin teaca venoasă în ramura venoasă a rețelei vasculare periferice.
- Atașați la robinet o seringă de 10 cm³ conținând agentul terapeutic prevăzut pentru perfuzie. Deschideți robinetul pentru a permite curgerea. **Avertisment: nu trageți sânge înapoi în cateter.**

Notă: Uрмаți instrucțiunile producătorului privind reconstituirea și diluarea fluidelor specificate.

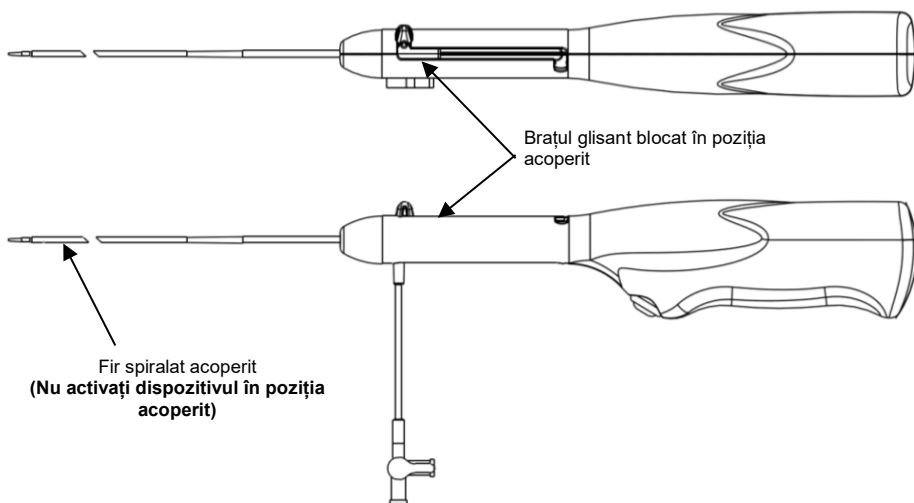


Figura 3

- Avansați vârful flexibil până la capătul distal cel mai îndepărtat al cheagului. Descoperiți firul spiralat prin deblocarea și retragerea completă a brațului glisant și rotirea brațului glisant până se aude un clic (consultați fig. 4). Confirmați prin fluoroscopie poziționarea dispozitivului în interiorul situsului de tratament. Apăsăți comutatorul ON/OFF (pornit/oprit) pentru a activa rotirea.

Rețeaua vasculară periferică

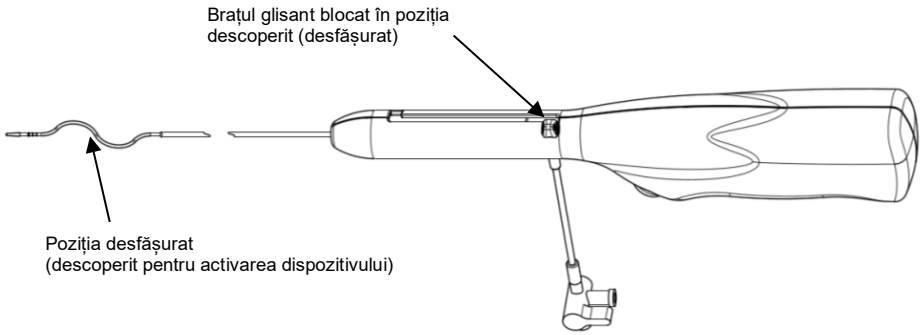


Figura 4

13. Cu dispozitivul activat, retrageți încet firul spiralat care se rotește de-a lungul situsului de tratament, în același timp perfuzând agentul terapeutic prin racordul de perfuzie, pentru a dezintegra cheagul. **Avertisment: se recomandă o viteză de retragere de 1-2 cm/secundă atunci când se întâlnesc raze de curbură mici.** Când firul spiralat atinge vârful tecii venoase, eliberați comutatorul pentru a opri rotirea firului de dispersie.
14. Acoperiți dispozitivul și scoateți-l din rețeaua vasculară periferică. Spălați lumenul cateterului cu soluție salină heparinizată și îndepărtați manual fibrina acumulată de pe firul spiralat.
15. Aspirați cheagul macerat prin teacă și eliminați materialul aspirat. **Precauție: aspirarea continuă nereușită poate conduce la colapsul tecii și al vasului.**
16. Injectați o cantitate redusă de agent de contrast prin teaca venoasă pentru a evalua gradul reușit de îndepărtare a trombului. **Avertisment: evitați supra-injectarea agentului de contrast pentru a reduce la minimum riscul de embolizare.** Tratați trombul rezidual prin repetarea pașilor 11-15, până se reușește eliminarea acceptabilă a trombului.
17. Când eliminarea trombului s-a încheiat, tratați orice afecțiune sau stenoză care conduce la producerea acestuia conform protocolului spitalului.
18. Efectuați angiografia finală.
19. Îndepărtați tecile din rețeaua vasculară periferică.
20. Realizați homeostaza la locul (locurile) de puncție conform protocolului spitalului.

Grefe și fistule

INDICAȚII DE UTILIZARE

Sistemul rotativ de trombectomie CLEANER 15™ este indicat pentru îndepărtarea mecanică a cheagurilor din fistulele pentru dializă ale vaselor native și a grefelor de acces din material sintetic pentru dializă.

CONTRAINDICAȚII

Sistemul rotativ de trombectomie CLEANER 15™ este contraindicat în următoarele situații:

- Când, conform evaluării medicale a medicului, o asemenea procedură poate compromite starea pacientului.
- La vasele sanguine native cu diametrul mai mic de 6 mm
- Infecția situsului de acces pentru dializă existent.
- Fistulele pentru dializă ale vaselor native nematurizate (fistule care nu au fost utilizate pentru cel puțin un tratament prin hemodializă).

AVERTISMENTE ȘI MĂSURI DE PRECAUȚIE

- Înainte de utilizare, citiți toate avertismentele, măsurile de precauție și instrucțiunile din prospectul din pachet. Nerespectarea acestor indicații poate avea ca rezultat vătămarea gravă și moartea pacientului.
- Aceste proceduri trebuie efectuate numai de către medici și personal familiarizați cu echipamentul și tehnicile implicate. Dispozitivul a fost sterilizat cu ETO și este steril, dacă pachetul nu este deschis sau deteriorat. Pachetul trebuie examinat înainte de utilizare; dacă este deteriorat, NU UTILIZAȚI. Dispozitivul este destinat utilizării la un singur pacient; NU REUTILIZAȚI SAU RESTERILIZAȚI.
- Înainte de utilizare, examinați cu atenție sistemul rotativ de trombectomie CLEANER 15™ pentru a verifica dacă nu a fost deteriorat în timpul transportului. Dacă componentele produsului prezintă orice urmă de deteriorare, NU UTILIZAȚI.
- Din cauza riscului de expunere la HIV (virusul imunodeficienței umane) sau la alți agenți patogeni transmiși prin sânge, lucrătorii din domeniul sanitar trebuie să aplice de rutină măsurile de precauție universale privind sângele și fluidele corporale la îngrijirea tuturor pacienților. Trebuie respectată cu strictețe tehnica sterilă în timpul oricărei manipulări a dispozitivului.
- Medicii practicanți trebuie să fie conștienți de complicațiile potențiale asociate cu tromboliza prin fistule sau grefe pentru dializă, inclusiv:
 - Hemoragie
 - Embolie pulmonară simptomatică
 - Embolizare arterială
 - Reacție alergică la agenții de contrast
 - Pseudoanevrism
 - Durere și/sau sensibilitate
 - Sfășiere sau ruperea vasului
 - Infecție
 - Perforarea arterei sau a venei
 - Hematom
 - Moarte
- Trebuie procedat cu atenție când se dislocă dopul de la anastomoza arterială, pentru a reduce la minimum riscul de embolizare arterială.
- Din cauza lipsei de excreție asociate cu pacienții hemodializați, utilizarea agentului de contrast trebuie menținută la minimum pe tot parcursul procedurii.
- Deteriorarea din cauza oboselii materialului firului spiralat al dispozitivului CLEANER 15™ poate apărea la activarea prelungită a dispozitivului CLEANER 15™. Se recomandă o viteză de extragere de 1-2 cm/secundă atunci când se întâlnesc raze de curbură mici (de ex. raza unei grefe în buclă sau a unei fistule < 3 cm).

O PROCEDURĂ RECOMANDATĂ

Utilizați tehnică sterilă.

Pregătirea pacientului

1. Administrați în premedicație anxiolitice, analgezice și/sau antibiotice corespunzătoare, conform protocolului spitalului.

Testarea funcționării dispozitivului

2. Scoateți din pachet sistemul rotativ de trombectomie CLEANER 15™. Apăsăți butonul ON/OFF (pornit/oprit) pentru a vă asigura că firul spiralat se rotește liber (consultați fig. 2). Eliberați comutatorul pentru a opri dispozitivul de rotire. **Precauție: nu utilizați dispozitivul dacă nu se activează imediat când se apasă comutatorul și nu se dezactivează imediat ce comutatorul este eliberat.**
3. Spălați cateterul CLEANER 15™ cu soluție salină heparinizată introdusă prin racordul pentru spălarea lumenului cateterului. Reduceți robinetul în poziția închis înainte de operație.

Procedura de tromboliză

4. Efectuați procedura de tromboliză CLEANER 15™ sub fluoroscopie continuă. Nu inițiați rotirea firului spiralat (activarea dispozitivului) decât dacă poziționarea corectă a dispozitivului în interiorul fistulei sau al grefei este confirmată.
5. Pregătiți și acoperiți locul puncției după necesități.
6. Administrați anestezic local la locul puncției pentru introducerea tecii venoase.

Grefe și fistule

7. Selectați o teacă de dimensiuni potrivite în care să încapă cateterul CLEANER 15™ și alte dispozitive/catetere care pot fi utilizate în cursul procedurii. Dimensiunea maximă a firului de ghidaj va depinde de ansamblul teacă a dispozitivului de introducere/dilatator ales.
8. Pregătiți și plasați teaca venoasă a dispozitivului de introducere conform protocolului spitalului. Teaca venoasă trebuie să fie plasată în ramura venoasă a grefei și trebuie să fie direcționată către anastomoza venoasă. În fistule, plasarea teicii venoase poate fi opțională, depinzând de aglomerarea de cheaguri în vas. Dacă se utilizează o teacă venoasă, aceasta trebuie să fie plasată în ramura venoasă a fistulei și trebuie să fie direcționată către ef fluxul venos central. Notă: dacă nu se utilizează nicio teacă venoasă la fistula AV, atunci treceți la pasul 16.
9. Puneți dispozitivul în poziția acoperit prin împingerea brațului glisant în poziția distală și rotirea brațului glisant până la blocarea sa în poziția acoperit (consultați fig. 3). Când se află în poziția acoperit, numai vârful flexibil al firului spiralat trebuie să fie ieșit din cateter. dispozitivul nu trebuie activat în poziția acoperit.
10. Țineți vârful flexibil între degetul mare și arătător în timpul inserției prin valva teicii. Introduceți dispozitivul acoperit prin teaca venoasă în ramura venoasă a fistulei sau a grefei.
11. La grefă, avansați vârful flexibil până la anastomoza venoasă. **Avertisment: nu avansați mai departe de anastomoză.** La fistulă, avansați vârful flexibil până la cel mai avansat cheag central. Descoperiți firul spiralat prin deblocarea și retragerea completă a brațului glisant și rotirea brațului glisant până se aude un clic (consultați fig. 4). Confirmați prin fluoroscopie poziționarea dispozitivului în interiorul fistulei sau grefei. Apșați comutatorul ON/OFF (pomiț/oprit) pentru a activa rotirea.

Notă: trebuie luate măsuri de precauție când se descoperă firul, pentru a evita avansarea firului în cheag mai departe de anastomoză.

12. Cu dispozitivul activat, retrageți încet firul spiralat care se rotește de-a lungul grefei sau fistulei, pentru a dezintegra cheagul. **Avertisment: se recomandă o viteză de retragere de 1-2 cm/secundă atunci când se întâlnesc raze de curbură mici.** Când firul spiralat atinge vârful teicii venoase, eliberați comutatorul pentru a opri dispozitivul de rotire.
13. Acoperiți dispozitivul și scoateți-l din grefă sau fistulă. Spălați lumenul cateterului cu soluție salină heparinizată și îndepărtați manual fibrina acumulată de pe firul spiralat.
14. Aspirați cheagul macerat prin teacă și eliminați materialul aspirat. **Precauție: aspirarea continuă nereușită poate conduce la colapsul teicii și al grefei/fistulei.**
15. Injectați o cantitate redusă de agent de contrast prin teaca venoasă pentru a evalua gradul reușit de îndepărtare a trombului. **Avertisment: evitați supra-injectarea agentului de contrast, pentru a reduce la minimum riscul de embolizare arterială.** Tratați trombul rezidual prin repetarea pașilor 11-14, până se reușește eliminarea acceptabilă a trombului.
16. Administrați anestezic local la locul puncției pentru introducerea teicii arteriale. Pregătiți și plasați teaca arterială a dispozitivului de introducere conform protocolului spitalului. Teaca arterială trebuie direcționată către anastomoza arterială. **Precauție: vârfurile teicilor arterială și venoasă nu trebuie să se suprapună.**
17. Țineți vârful flexibil între degetul mare și arătător în timpul inserției prin valva teicii. Introduceți dispozitivul acoperit prin teaca arterială în ramura arterială a fistulei sau a grefei.
18. La grefă, avansați vârful flexibil până la anastomoza arterială. **Avertisment: nu avansați mai departe de anastomoză.** La fistulă, avansați vârful flexibil până la cel mai avansat cheag central. Descoperiți firul spiralat prin deblocarea și retragerea completă a brațului glisant și rotirea brațului glisant până se aude un clic. Confirmați prin fluoroscopie poziționarea dispozitivului în interiorul fistulei sau grefei. Apșați comutatorul ON/OFF (pomiț/oprit) pentru a activa rotirea.
19. Cu dispozitivul activat, retrageți încet firul spiralat care se rotește, în poziția descoperit, de-a lungul grefei sau fistulei, pentru a dezintegra cheagul. **Avertisment: se recomandă o viteză de retragere de 1-2 cm/secundă atunci când se întâlnesc raze de curbură mici.** Când firul spiralat atinge vârful teicii arteriale, eliberați comutatorul pentru a opri dispozitivul de rotire.
20. Acoperiți dispozitivul și scoateți-l din grefă sau fistulă. Spălați lumenul cateterului cu soluție salină heparinizată și îndepărtați manual fibrina acumulată de pe firul spiralat.
21. Aspirați cheagul macerat prin oricare dintre teici și eliminați materialul aspirat. **Precauție: aspirarea continuă nereușită poate conduce la colapsul teicii și al grefei/fistulei.**
22. Introduceți un cateter adecvat prin teaca arterială și treceți-l cu atenție până după anastomoza arterială a grefei sau fistulei. Umflați balonul, dacă este un cateter cu balon. Trageți dopul arterial în mijlocul ramurii arteriale. Dezumflați balonul și scoateți cateterul cu balon.
23. Reintroduceți dispozitivul acoperit CLEANER 15™ prin teaca arterială în ramura arterială a grefei sau fistulei.
24. Descoperiți firul spiralat și activați dispozitivul pentru a dezintegra dopul arterial, folosind agent de contrast pentru a ghida macerarea.
25. Acoperiți dispozitivul și scoateți-l din grefă sau fistulă. Spălați lumenul cateterului cu soluție salină heparinizată și îndepărtați manual fibrina acumulată de pe firul spiralat.
26. Aspirați cheagul macerat prin teacă și eliminați materialul aspirat.
27. Injectați agent de contrast pentru a evalua gradul de îndepărtare a trombilor. Tratați orice trombi rămași folosind dispozitivul CLEANER 15™ introdus prin oricare dintre teici, după cum este necesar.
28. Când eliminarea trombului s-a încheiat, tratați orice afecțiune sau stenoză care conduce la producerea acestuia conform protocolului spitalului.
29. Efectuați fistulograma finală.
30. Îndepărtați tecile din fistulă sau grefă.
31. Realizați homeostaza la locul (locurile) de puncție conform protocolului spitalului.

AVERTISMENT

Numai de unică folosință. A nu se reutiliza, retrata sau resteriliza. Reutilizarea, retratarea sau resterilizarea pot compromite integritatea structurală a dispozitivului și/sau pot conduce la nefuncționarea dispozitivului care, la rândul său, poate avea ca rezultat vătămarea, îmbolnăvirea sau moartea pacientului. Reutilizarea, retratarea sau resterilizarea pot, de asemenea, crea riscul de contaminare a dispozitivului și/sau pot cauza infecția sau infecția încrucișată a pacientului, inclusiv, dar nu limitat numai la aceasta, transmitia de boli infecțioase de la un pacient la altul. Contaminarea dispozitivului poate conduce la vătămarea, îmbolnăvirea sau moartea pacientului.

PĂSTRAREA

Se păstrează la temperatura controlată a camerei. Nu expuneți la solvenți organici, radiație ionizantă sau lumină ultravioletă.

ELIMINAREA

Eliminați sistemul cateterului în conformitate cu Directiva privind deșeurile de echipamente electrice și electronice (DEEE) și în conformitate cu procedurile instituționale standard privind deșeurile medicale, inclusiv dispozitivele de unică folosință care intră în contact cu sângele.

PRECIZĂRI LEGALE PRIVIND GARANȚIA ȘI LIMITELE DESPĂGUBIRILOR

Nu există nicio garanție expresă sau implicită, inclusiv garanție fără limitare și implicită pentru vandabilitatea sau adecvarea produsului la o anumită cerință pentru produsul (produsele) Argon Medical descris(e) în această publicație. În nicio situație Argon Medical nu va fi răspunzătoare pentru nici un fel de daune directe, imprevizibile sau corelate, altele decât cele prevăzute expres de legislația specifică. Nicio persoană nu deține autoritatea de a asocia Argon Medical cu vreo declarație sau garanție, exceptând cele prevăzute în mod special în acest document.

Descrierile sau specificațiile din materialul tipărit aparținând Argon Medical, inclusiv această publicație, sunt destinate exclusiv descrierii generale a produsului la momentul fabricației și nu constituie nicio garanție expresă.

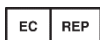
Argon Medical nu va fi răspunzătoare de daune directe, imprevizibile sau corelate cauzate de reutilizarea produsului.



MEDICAL — GENERAL MEDICAL EQUIPMENT
AS TO ELECTRICAL SHOCK, FIRE AND MECHANICAL HAZARDS ONLY
IN ACCORDANCE WITH IEC60601-1 3rd Ed. & CAN/CSA-C22.2
NO. 60601.1 (2008), AAMI ES 60601-1:2008
4CR3



Glosarul simbolurilor este stocat electronic la
www.argonmedical.com/symbols



EMERGO EUROPE
Westervoortsedijk 60
6827 AT Arnhem
The Netherlands
+31 70 345 8570



ARGON MEDICAL DEVICES, INC.
1445 Flat Creek Road
Athens, Texas 75751 USA
Tel: +1 (903) 675 9321
Tel: +1 (800) 927 4669
www.argonmedical.com



Emergo Consulting (UK) Limited
c/o Cr 360 - UL International
Compass House, Vision Park Histon
Cambridge CB24 9BZ
United Kingdom

CLEANER 15™

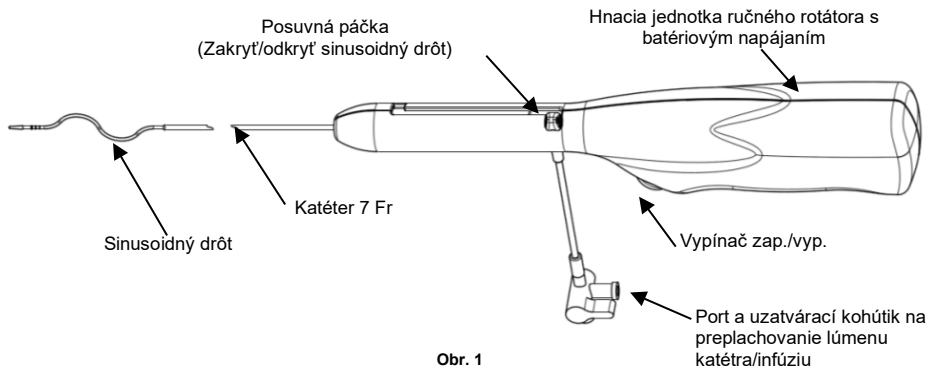
Rotational Thrombectomy System

Slovak - Pred použitím si prečítajte všetky pokyny

	strany
Návod na použitie u periférnej vaskulatúry.....	1-4
Návod na použitie u štepov a fistúl.....	5-6

OPIS ZARIADENIA:

Rotačný systém na trombektómii CLEANER 15™ je perkutánný systém na báze katétra 7Fr (konštrukčne tvoriaci jeden kus). Jednorazová ručná pohonná jednotka rotátora napájaná batériami je pripojená k sinusoidnému drôtu, ktorý rotuje s rýchlosťou približne 4 000 otáčok za minútu. Drôt a atraumatický mäkký hrot sú pri fluoroskopickej vizualizácii rádioopakné.



INDIKÁCIE NA POUŽITIE:

Rotačný systém CLEANER 15™ je indikovaný na mechanické odstraňovanie zrazenín a kontrolovanú a selektívnu infúziu lekárom určených kvapalín, vrátane trombolýtik, v periférnej vaskulatúre.

KONTRAINDIKÁCIE:

Systém rotačnej trombektómie CLEANER 15™ je kontraindikovaný v nasledujúcich prípadoch:

- Tento systém je kontraindikovaný, ak podľa lekárskeho úsudku lekára môže takýto postup ohroziť stav pacienta.
- Zariadenie nie je určené na dilatáciu periférnej vaskulatúry.
- Tento systém nie je určený na infúzne podanie krvi alebo krvných produktov.
- Pozrite si príbalový leták k liečivému roztoku podľa vašej voľby, kde sú uvedené indikácie, kontraindikácie, vedľajšie účinky a bezpečnostné opatrenia.
- Ak majú pôvodné cievy menší priemer než 6 mm
- U pacientov s vaskulárnym filtrom, ako je filter dolnej dutej žily.

Periférna vaskulatúra

UPOZORNENIA A BEZPEČNOSTNÉ OPATRENIA:

- Pred použitím si prečítajte všetky upozornenia, bezpečnostné opatrenia a pokyny uvedené v príbalovom letáku. V opačnom prípade by mohlo dôjsť k vážnemu poraneniu a smrti pacienta.
- Tieto postupy môže vykonávať len lekár a zamestnanci, ktorí predmetné zariadenie a techniky poznajú. Zariadenie bolo sterilizované EtO a je sterilné, pokiaľ nedošlo k otvoreniu alebo poškodeniu obalu. Pred použitím zariadenia skontrolujte jeho obal; ak je poškodený, zariadenie NEPOUŽÍVAJTE. Zariadenie je určené len pre jedného pacienta; NEPOUŽÍVAJTE A NESTERILIZUJTE HO OPAKOVANE.
- Pred použitím si dôkladne prezrite rotačný systém na trombektómiu CLEANER 15™ a skontrolujte, či sa počas prepravy nepoškodil. Ak na komponentoch výrobku zistítejaké poškodenia, NEPOUŽÍVAJTE HO.
- V dôsledku rizika expozície vírusu HIV (vírusu ľudskej imunitnej nedostatočnosti) alebo iným krvou prenášaným patogénom, musia ošetrovatelia pri starostlivosti o všetkých pacientov rutinne dbať na všeobecné bezpečnostné opatrenia pri kontakte s krvou a telesnými tekutinami. Počas manipulácie so zariadením je nutné striktné dodržiavať sterilnú techniku.
- Ak narazíte na odpor, nepokračujte, ale najskôr fluoroskopicky určite príčinu odporu a prijmite potrebné nápravné opatrenie. Nadmerné pôsobenie silou proti odporu môže viesť k poškodeniu zariadenia alebo vaskulatúry.
- Pred zavedením a v prípade vybratia zariadenia CLEANER 15™ z vaskulárneho systému je nutné prepláchnuť katéter.
- Ak katéter alebo vodiaci drôt praskne, alebo sa počas používania inak poškodí, prestaňte ho používať a vymeňte ho.
- Lekári si musia byť vedomí potenciálnych komplikácií spojených s trombolýzou periférnej vaskulatúry, vrátane týchto komplikácií:
 - Perforácia alebo pretrhnutie ciev
 - Cievne kľče
 - Hematóm
 - Sepsa/infekcia
 - Intimálne narušenie
 - Vaskulárna trombóza
 - Alergická reakcia na kontrastnú látku
 - Tromboembolické príhody
 - Distálna embolizácia krvných zrazenín
 - Krvácanie
 - Bolesť a citlivosť na dotyk
 - Tromboflebitída
 - Diskécia artéria
 - Reakcia na liek
 - Arteriovenózna fistula
 - Amputácia
- Pri dlhodobej aktivácii zariadenia CLEANER 15™ môže dôjsť k potenciálnemu únavaťému zlomu sinusoidného drôtu zariadenia CLEANER 15™. V prípade ostrých polomerov (t.j. polomerov slučkového štepu alebo fistuly, polomery < 3 cm) sa odporúča rýchlosť vyťahovania 1-2 cm/s.

NAVRHOVANÝ POSTUP:

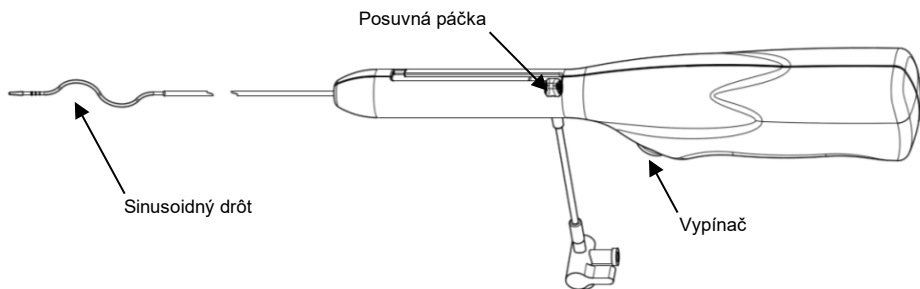
Použite sterilnú techniku.

Príprava pacienta:

1. Pacientovi podajte vhodné anxiolytiká, analgetiká a/alebo antibiotiká podľa nemocničného protokolu.

Kontrola zariadenia:

2. Rotačný systém na trombektómiu CLEANER 15™ vyberte z obalu. Stlačte vypínač ZAP/VYP, aby ste sa uistili, že sinusoidný drôt sa voľne otáča (pozri Obr. 2). Vypínač uvoľnite, čím rotátor zastavíte. **Bezpečnostné opatrenie: Zariadenie nepoužívate, ak sa po stlačení vypínača okamžite neuviede do činnosti a ak sa po uvoľnení vypínača okamžite nezastaví.**



Obr. 2

3. K portu na preplachovanie katétra pripievnte striekačku s liečivom alebo heparinizovaným fyziologickým roztokom a katéter zariadenia CLEANER 15™ prepláchnite. Uistite sa, že kvapalina vyteká z najvzdialenejšieho otvoru katétra, ktorý sa nachádza v blízkosti konca katétra. Zatvorte uzatvárací kohútik, čím „zaisťíte“ liečivo alebo heparín v katétri a striekačku vyberte.

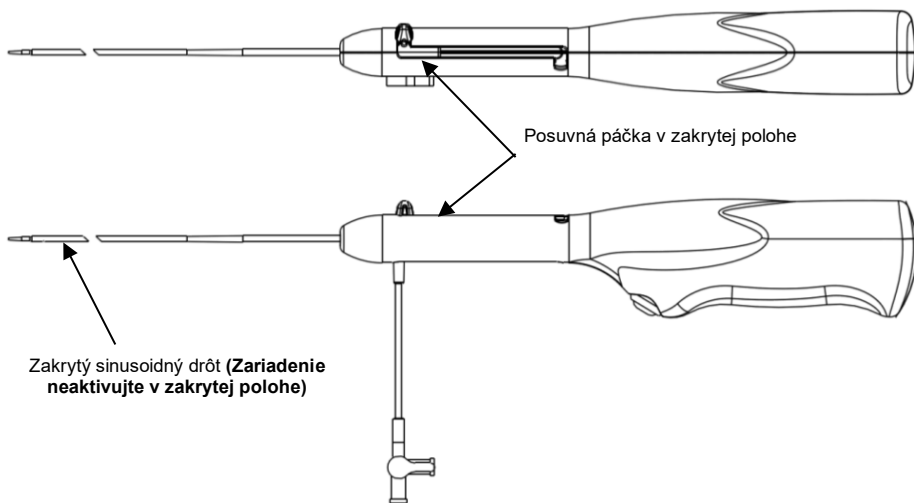
Ošetrovanie:

Presný postup ošetrovania určí lekár. Nasledujúca možnosť opisuje spôsob, akým je možné procedúru realizovať.

Periférna vaskulatúra

4. Procedúru dokončíte pod kontinuálnou fluoroskopiou. Rotáciu sinusoidného drôtu neaktivujte (aktivácia zariadenia), pokiaľ nie je potvrdená správna poloha zariadenia v periférnej vaskulatúre.
5. Miesto punkcie pripravte a zakryte podľa potreby.
6. Na mieste punkcie podajte lokálne anestetikum, aby ste mohli zaviesť venózne puzdro.
7. Zvoľte si puzdro vhodnej veľkosti, do ktorého sa vojde katéter CLEANER 15™ a iné zariadenia/katétre, ktoré sa môžu počas procedúry použiť. Maximálna veľkosť vodiaceho drôtu bude závisieť od zvolenej zostavy puzdra zavádzača/dilatátora. V prípade križovania iliakálneho rozdvojenia je potrebné použiť dlhé vystužené puzdro.
8. Puzdro venózneho zavádzača si pripravte a umiestnite ho podľa nemocničného protokolu. Venózne puzdro sa umiestňuje v žilovej vetve periférnej vaskulatúry a musí smerovať k miestu ošetrovania. Umiestnenie venózneho puzdra môže byť voľiteľné v závislosti od namáhania cievy zrazeninou.
9. Zariadenie vložte v zakrytej polohe tak, že potlačíte posuvnú páčku do distálnej polohy a budete otáčať posuvnou páčkou, aby ste ju zaistili v zakrytej polohe (pozri Obr. 3). V zakrytej polohe sa z katétra vysúva len pružný hrot sinusoidného drôtu. **Upozornenie: Zariadenie sa nemá aktivovať v zakrytej polohe.**
10. Počas vkladania cez ventil puzdra pridržujte pružný hrot medzi palcom a ukazovákcom. Zakryté zariadenie vložte cez venózne puzdro do žilovej vetvy periférnej vaskulatúry.
11. K uzatváraciemu kohútiku pripievňte 10 ml striekačku s liečivou určeným na infúziu. Uzavraciaci kohútik otvorte, čím umožníte prietok. **Upozornenie: Do katétra nenatáhajte krv.**

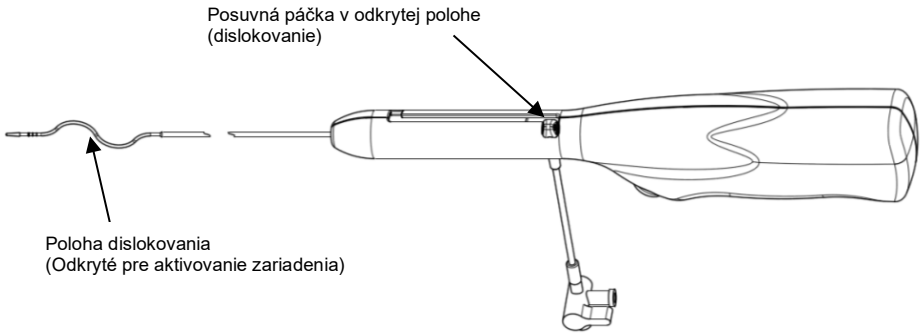
Poznámka: Pri rekonštitúcii a riadení určených kvapalín postupujte podľa návodu výrobcu.



Obr. 3

12. Pružný hrot posuňte k distálnemu okraju zrazeniny. Sinusoidný drôt odkryte tak, že ho odistíte, pričom celkom vytiahnite posuvnú páčku a otáčajte ňou, dokiaľ nezačujete „kliknutie“ (pozri Obr. 4). Polohu zariadenia na mieste ošetrovania si overte fluoroskopicky. Stlačte vypínač ZAP/VYP, čím zapnete rotáciu.

Periférna vaskulatúra



Obr. 4

13. Pri aktivovanom zariadení pomaly vyťahujte rotujúci sinusoidný drôt pozdĺž miesta ošetrovania, pričom infúzne podávajte liečivo cez infúzny port, aby sa zrazenina rozpadla. **Upozornenie: V prípade ostrých polomerov sa odporúča rýchlosť vyťahovania 1-2 cm/s.** Keď sinusoidný drôt dosiahne hrot venózneho puzdra, uvoľnite vypínač, čím vypnete otáčanie sa disperzného drôtu.
14. Zariadenie zakryte a vyberte ho z periférnej vaskulatúry. Lúmen katétra prepláchnite heparinizovaným fyziologickým roztokom a manuálne vyberte prípadný akumulovaný fibrín zo sinusoidného drôtu.
15. Aspirujte macerovanú zrazeninu cez puzdro a aspirát zlikvidujte. **Bezpečnostné opatrenie: Pokračujúca neúspešná aspirácia môže vyvolať stlačenie puzdra a cievy.**
16. Vstreknite malé množstvo kontrastnej látky do venózneho puzdra, aby ste mohli posúdiť stupeň dosiahnutého odstránenia trombu. **Upozornenie: Nevstrekujte nadmerné množstvo kontrastnej látky, aby ste minimalizovali riziko embolizácie.** Zvyškový trombus ošetríte opakovaním krokov 11-15, dokiaľ nedosiahnete prijateľnú mieru odstránenia trombu.
17. Po dokončení odstránenia trombu liečte základnú chorobu alebo stenózu podľa nemocničného protokolu.
18. Urobte záverečný angiogram.
19. Z periférnej vaskulatúry vyberte puzdrá.
20. Zastavte krvácanie na mieste punkcie podľa nemocničného protokolu.

Štepy a fistuly

INDIKÁCIE NA POUŽITIE:

Rotačný systém na trombektómii CLEANER 15™ je indikovaný na mechanické odstránenie trombov v pôvodných cievnych dialyzačných fistulách a syntetických dialyzačných prístupových štepoch.

KONTRAINDIKÁCIE:

Systém rotačnej trombektómie CLEANER 15™ je kontraindikovaný v nasledujúcich prípadoch:

- Ak podľa lekárskeho úsudku lekára môže takýto postup ohroziť stav pacienta.
- Ak majú pôvodné cievy menší priemer než 6 mm
- V prípade existujúcej infekcie prístupového miesta k hemodialýze.
- Nevyvinuté dialyzačné fistuly v pôvodnej cieve (fistuly, ktoré sa nepoužili na aspoň jedno hemodialyzačné ošetrenie).

UPOZORNENIA A BEZPEČNOSTNÉ OPATRENIA:

- Pred použitím si prečítajte všetky upozornenia, bezpečnostné opatrenia a pokyny uvedené v príbalovom letáku. V opačnom prípade by mohlo dôjsť k vážnemu poraneniu a smrti pacienta.
- Tieto postupy môže vykonávať len lekár a zamestnanci, ktorí predmetné zariadenie a techniky poznajú. Zariadenie bolo sterilizované EIO a je sterilné, pokiaľ nedošlo k otvoreniu alebo poškodeniu obalu. Pred použitím zariadenia skontrolujte jeho obal; ak je poškodený, zariadenie NEPOUŽÍVAJTE. Zariadenie je určené len pre jedného pacienta; NEPOUŽÍVAJTE A NESTERILIZUJTE HO OPAKOVANE.
- Pred použitím si dôkladne prezrite rotačný systém na trombektómii CLEANER 15™ a skontrolujte, či sa počas prepravy nepoškodil. Ak na komponentoch výrobku zistíte nejaké poškodenia, NEPOUŽÍVAJTE HO.
- V dôsledku rizika expozície vírusu HIV (vírusu ľudskej imunitnej nedostatočnosti) alebo iným krvou prenášaným patogénom, musia ošetrovatelia pri starostlivosti o všetkých pacientov rutinne dbať na všeobecné bezpečnostné opatrenia pri kontakte s krvou a telesnými tekutinami. Počas manipulácie so zariadením je nutné striktné dodržiavať sterilnú techniku.
- Lekári si musia byť vedomí potenciálnych komplikácií spojených s trombolýzou v dialyzačnej fistule a štepe, vrátane týchto komplikácií:
 - Krvácanie
 - Symptomatická pľúcna embólia
 - Arteriálna embolizácia
 - Alergická reakcia na kontrastnú látku
 - Pseudoaneurizma
 - Bolesť a/alebo citlivosť na dotyk
 - Natrhnutie alebo pretrhnutie cievy
 - Infekcia
 - Perforácia tepny alebo žily
 - Hematóm
 - Smrť
- Pri vypudzovaní zátky na arteriálnej anastomóze dávajte pozor, aby ste minimalizovali riziko arteriálnej embolizácie.
- Počas tejto procedúry je pre nedostatok exkrécie pri hemodialyzovaných pacientoch nutné použitie kontrastnej látky udržiavať na minime.
- Pri dlhodobej aktivácii zariadenia CLEANER 15™ môže dôjsť k potenciálnemu únavaťmu zlomu sinusoidného drôtu zariadenia CLEANER 15™. V prípade ostrých polomerov (t.j. polomerov slučkového štepu alebo fistuly, polomery < 3 cm) sa odporúča rýchlosť vytahovania 1-2 cm/s.

NAVRHOVANÝ POSTUP:

Použite sterilnú techniku.

Príprava pacienta:

1. Pacientovi podajte vhodné anxiolytiká, analgetiká a/alebo antibiotiká podľa nemocničného protokolu.

Kontrola zariadenia:

2. Rotačný systém na trombektómii CLEANER 15™ vyberte z obalu. Stlačte vypínač ZAP/VYP, aby ste sa uistili, že sinusoidný drôt sa voľne otáča (pozri Obr. 2). Vypínač uvoľníte, čím rotátor zastavíte. **Bezpečnostné opatrenie: Zariadenie nepoužívate, ak sa po stlačení vypínača okamžite neuvedie do činnosti a ak sa po uvoľnení vypínača okamžite nezastaví.**
3. Katéter zariadenia CLEANER 15™ prepláchnite heparinizovaným fyziologickým roztokom cez port na preplachovanie lúmenu katétra. Uzatvárací kohútik vráťte do polohy VYP, až potom môžete pristúpiť k operácii.

Postup pri trombolýze:

4. Procedúru trombolýzy pomocou zariadenia CLEANER 15™ realizujte pod kontinuálnou fluoroskopiou. Rotáciu sinusoidného drôtu neaktivujte (aktivácia zariadenia), pokiaľ nie je potvrdená správna poloha zariadenia vo fistule alebo štepe.
5. Miesto punkcie pripravte a zakryte podľa potreby.
6. Na mieste punkcie podajte lokálne anestetikum, aby ste mohli zaviesť venózne puzdro.
7. Zvoľte si puzdro vhodnej veľkosti, do ktorého sa vojde katéter CLEANER 15™ a iné zariadenia/katétre, ktoré sa môžu počas procedúry použiť. Maximálna veľkosť vodiaceho drôtu bude závisieť od zvolenej zostavy puzdra zavádzača/dilatátora.
8. Puzdro venózneho zavádzača si pripravte a umiestnite ho podľa nemocničného protokolu. Venózne puzdro sa umiestňuje v žilovej vetve štepu a musí smerovať k miestu ošetrovania. Vo fistule môže byť umiestnenie venózneho puzdra voľiteľné v závislosti

Štepy a fistuly

od namáhania cievy zrazeninou. Ak použijete venózne puzdro, umiestňujte sa v žilovej vetve fistuly a musí smerovať k hlavnému výtoku žily. Poznámka: Ak v AV fistule nepoužijete venózne puzdro, potom prejdite na krok č. 16.

9. Zariadenie vložte v zakrytej polohe tak, že potlačíte posuvnú páčku do distálnej polohy a budete otáčať posuvnou páčkou, aby ste ju zaisťili v zakrytej polohe (pozri Obr. 3). V zakrytej polohe sa z katétra vysúva len pružný hrot sinusoidného drôtu. Zariadenie sa nemá aktivovať v zakrytej polohe.
10. Počas vkladania cez ventil puzdra pridržiavajte pružný hrot medzi palcom a ukazovák. Zakryté zariadenie vložte cez venózne puzdro do žilovej vetvy fistuly alebo štepu.
11. V štepe posuňte pružný hrot do venóznej anastomózy. **Upozornenie: Neposúvajte ho za anastomózu.** Vo fistule posuňte pružný hrot k centrálnemu okraju zrazeniny. Sinusoidný drôt odkryte tak, že ho odistíte, pričom celkom vytiahnite posuvnú páčku a otáčajte ňou, dokiaľ nezačujete „kliknutie“ (pozri Obr. 4). Polohu zariadenia vo fistule alebo štepe si overte fluoroskopicky. Stlačte vypínač ZAP/VYP, čím zapnete rotáciu.

Poznámka: Pri odkrývaní drôtu dávajte pozor, aby ste predišli posunu drôtu do zrazeniny a za anastomózu.

12. Pri aktivovanom zariadení pomaly vyťahujte rotujúci sinusoidný drôt pozdĺž štepu alebo fistuly, aby sa zrazenina rozpadla. **Upozornenie: V prípade ostrých polomerov sa odporúča rýchlosť vyťahovania 1-2 cm/s.** Keď sinusoidný drôt dosiahne hrot venózneho puzdra, uvoľnite vypínač, čím vypnete rotátor.
13. Zariadenie zakryté a vyberte ho zo štepu alebo fistuly. Lúmen katétra prepláchnite heparinizovaným fyziologickým roztokom a manuálne vyberte prípadný akumulovaný fibrín zo sinusoidného drôtu.
14. Aspirujte macerovanú zrazeninu cez puzdro a aspirát zlikvidujte. **Bezpečnostné opatrenie: Pokračujúca neúspešná aspirácia môže vyvolať stlačenie puzdra a štepu/fistuly.**
15. Vstreknite malé množstvo kontrastnej látky do venózneho puzdra, aby ste mohli posúdiť stupeň dosiahnutého odstránenia trombu. **Upozornenie: Nevstrekujte nadmerné množstvo kontrastnej látky, aby ste minimalizovali riziko arteriálnej embolizácie.** Zvyškový trombus ošetríte opakovaním krokov 11-14, dokiaľ nedosiahnete prijateľnú mieru odstránenia trombu.
16. Na mieste punkcie podajte lokálne anestetikum, aby ste mohli zaviesť arteriálne puzdro. Puzdro arteriálneho zavádzača si pripravte a umiestnite ho podľa nemocničného protokolu. Arteriálne puzdro musí smerovať k arteriálnej anastomóze. **Bezpečnostné opatrenie: Hroty arteriálneho a venózneho puzdra sa nesmú prekryvať.**
17. Počas vkladania cez ventil puzdra pridržiavajte pružný hrot medzi palcom a ukazovák. Zakryté zariadenie vložte cez arteriálne puzdro do arteriálnej vetvy fistuly alebo štepu.
18. V štepe posuňte pružný hrot do arteriálnej anastomózy. **Upozornenie: Neposúvajte ho za anastomózu.** Vo fistule posuňte pružný hrot k centrálnemu okraju zrazeniny. Sinusoidný drôt odkryte tak, že ho odistíte, pričom celkom vytiahnite posuvnú páčku a otáčajte ňou, dokiaľ nezačujete „kliknutie“. Polohu zariadenia vo fistule alebo štepe si overte fluoroskopicky. Stlačte vypínač ZAP/VYP, čím zapnete rotáciu.
19. Pri aktivovanom zariadení pomaly vyťahujte rotujúci sinusoidný drôt v odkrytej polohe pozdĺž štepu alebo fistuly, aby sa zrazenina rozpadla. **Upozornenie: V prípade ostrých polomerov sa odporúča rýchlosť vyťahovania 1-2 cm/s.** Keď sinusoidný drôt dosiahne hrot arteriálneho puzdra, uvoľnite vypínač, čím vypnete rotátor.
20. Zariadenie zakryté a vyberte ho zo štepu alebo fistuly. Lúmen katétra prepláchnite heparinizovaným fyziologickým roztokom a manuálne vyberte prípadný akumulovaný fibrín zo sinusoidného drôtu.
21. Aspirujte macerovanú zrazeninu niektoré puzdro a aspirát zlikvidujte. **Bezpečnostné opatrenie: Pokračujúca neúspešná aspirácia môže vyvolať stlačenie puzdra a štepu/fistuly.**
22. Cez arteriálne puzdro zavedte vhodný katéter a opatrne ho posúvajte okolo arteriálnej anastomózy štepu alebo fistuly. Nafúknite balónik, ak ide o balónikový katéter. Arteriálnu zátku potiahnite do stredu arteriálnej vetvy. Balónik vyfúknite a balónikový katéter vyberte.
23. Zakryté zariadenie CLEANER 15™ znovu vložte cez arteriálne puzdro do arteriálnej vetvy štepu alebo fistuly.
24. Sinusoidný drôt odkryte a aktivujte zariadenie, čím rozrušíte arteriálnu zátku, na vedenie macerácie použijete kontrastnú látku.
25. Zariadenie zakryté a vyberte ho zo štepu alebo fistuly. Lúmen katétra prepláchnite heparinizovaným fyziologickým roztokom a manuálne vyberte prípadný akumulovaný fibrín zo sinusoidného drôtu.
26. Aspirujte macerovanú zrazeninu cez puzdro a aspirát zlikvidujte.
27. Vstreknite kontrastnú látku, aby ste mohli posúdiť mieru odstránenia trombu. Pomocou zariadenia CLEANER 15™ ošetríte podľa potreby cez niektoré puzdro prípadný zvyškový trombus.
28. Po dokončení odstránenia trombu liečte základnú chorobu alebo stenózu podľa nemocničného protokolu.
29. Urobte záverečný fistulogram.
30. Z fistuly alebo štepu vyberte puzdrá.
31. Zastavte krvácanie na mieste punkcie podľa nemocničného protokolu.

UPOZORNENIE:

Len na jednorazové použitie. Toto zariadenie nesmiete opakovane používať, opakovane spracovať ani opakovane sterilizovať. Opakované použitie, opakované spracovanie alebo opakovaná sterilizácia môže narušiť konštrukčnú celistvosť zariadenia a/alebo môže viesť k poruche zariadenia, čo zasa môže viesť k poraneniu, ochoreniu alebo smrti pacienta. Opakované použitie, opakované spracovanie alebo opakovaná sterilizácia tiež môže vytvárať riziko kontaminácie zariadenia a/alebo vyvolať infekciu alebo krízovú infekciu pacienta, okrem iného vrátane prenosu infekčnej choroby z jedného pacienta na iného. Kontaminácia zariadenia môže viesť k poraneniu, chorobe alebo smrti pacienta.

SKLADOVANIE:

Skladujte pri kontrolovanej izbovej teplote. Nevystavujte pôsobeniu organických rozpúšťadiel, ionizujúceho žiarenia alebo ultrafialového svetla.

LIKVIDÁCIA:

Katétrový systém likvidujte v súlade so smernicou o odpadových elektrických a elektronických zariadeniach (WEEEED) a v súlade so štandardnými postupmi konkrétnej inštitúcie pre lekársky odpad, vrátane jednorazových zariadení, ktoré sa dostávajú do kontaktu s krvou.

ODMIETNUTIE ZÁRUKY A OBMEDZENIE ODŠKODNENIA:

Na výrobky spoločnosti Argon Medical opísané v tejto publikácii sa neposkytuje žiadna výslovná ani implicitná záruka, okrem iného vrátane implikovanej záruky obchodovateľnosti alebo vhodnosti na konkrétny účel. Spoločnosť Argon Medical nebude za žiadnych okolností niesť zodpovednosť za prípadné priame, náhodné alebo následné škody iné než výslovné uvedené špecifickou legislatívou. Žiadna osoba nemá oprávnenie zaväzovať spoločnosť Argon Medical k vyhláseniam alebo záruke, okrem prípadov špecificky uvedených v tomto dokumente.

Opisy alebo špecifikácie v tlačovinách spoločnosti Argon Medical, vrátane tejto publikácie, sú určené výhradne na všeobecný opis produktu v čase jeho výroby a nepredstavujú žiadne výslovné záruky.

Spoločnosť Argon Medical nebude niesť zodpovednosť za žiadne priame, nepriame alebo následné škody, ktoré vzniknú v dôsledku opakovaného použitia produktu.



MEDICAL — GENERAL MEDICAL EQUIPMENT
AS TO ELECTRICAL SHOCK, FIRE AND MECHANICAL HAZARDS ONLY
IN ACCORDANCE WITH IEC60601-1 3rd Ed. & CAN/CSA-C22.2
NO. 60601.1 (2008), AAMI ES 60601-1:2008
4CR3



Glosár symbolov je v elektronickej podobe k dispozícii na stránkach www.argonmedical.com/symbols



EMERGO EUROPE
Westervoortsedijk 60
6827 AT Arnhem
The Netherlands
+31 70 345 8570



ARGON MEDICAL DEVICES, INC.
1445 Flat Creek Road
Athens, Texas 75751 USA
Tel: +1 (903) 675 9321
Tel: +1 (800) 927 4669
www.argonmedical.com



Emergo Consulting (UK) Limited
c/o Cr 360 - UL International
Compass House, Vision Park Histon
Cambridge CB24 9BZ
United Kingdom

CLEANER 15™

Rotational Thrombectomy System

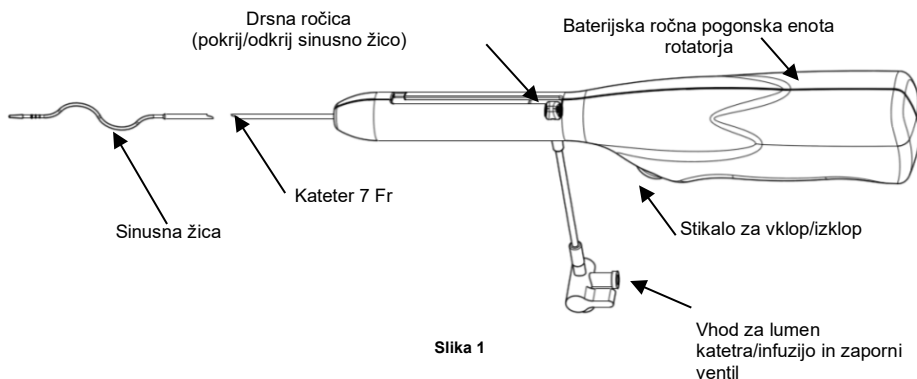
Slovenian - Vsa navodila je treba prebrati pred uporabo.

strani

Navodila za uporabo v perifernem ožilju	1-4
Navodila za uporabo v grafth in fistulah	5-6

OPIS PRIPOMOČKA:

Rotacijski sistem za trombektomijo CLEANER 15™ je perkutani katerski sistem 7Fr (zasnovan iz enega dela). Ročna baterijska pogonska enota rotatorja za enkratno uporabo je pritrjena na sinusno žico, ki se vrti s pribl. 4000 vrt./min. Žica in atravmatska mehka konica sta prozorni, kar omogoča fluoroskopsko vizualizacijo.



INDIKACIJE ZA UPORABO:

Rotacijski sistem za trombektomijo CLEANER 15™ je indiciran za mehansko odmašitev in nadzorovano in selektivno infuzijo specifičnih predpisanih tekočin, vključno s trombolitiki, v perifernem ožilju.

KONTRAINDIKACIJE:

Rotacijski sistem za trombektomijo CLEANER 15™ je kontraindiciran v naslednjih primerih:

- Ta sistem je kontraindiciran, kadar po presoji zdravnika tovrstni sistem lahko ogroža bolnikovo stanje.
- Sistem ni predviden za dilatacijo perifernega ožilja.
- Prav tako ni predviden za infuzijo krvi ali krvnih produktov.
- Za indikacije, kontraindikacije, stranske učinke in previdnostne ukrepe glejte priložena navodila terapevtske raztopine po izboru.
- V naravnih žilah, s premerom manj kot 6 mm.
- Pri bolnikih z žilnim filtrom, kot je inferiorni vena cava filter.

Periferno ožilje

OPOZORILA IN PREVIDNOSTNI UKREPI:

- Pred uporabo preberite vsa opozorila, previdnostne ukrepe in navodila v priloženih navodilih. Če tega ne storite, lahko pride do hudih poškodb in smrti bolnika.
- Te postopke lahko izvajajo samo zdravniki in osebje, seznanjeno z zadevno opremo in tehnikami. EtO je steriliziral pripomoček in je sterilen, če embalaža ni bila odprta ali poškodovana. Pred uporabo je treba pregledati embalažo; če je poškodovana, pripomočka NE UPORABLJAJTE. Pripomoček je predviden samo za enega bolnika; PONOVRNO UPORABA ALI PONOVRNA STERILIZIRACIJA NI DOVOLJENA.
- Pred uporabo skrbno preglejte rotacijski sistem za trombektomijo CLEANER 15™ in se prepričajte, da se med pošiljanjem ni poškodoval. Če komponente izdelka kažejo kakršne koli znake poškodbe, JIH NE UPORABLJAJTE.
- Zaradi nevarnosti izpostavljenosti HIV-u (virus imunske pomanjkljivosti) ali drugim patogenom, ki se prenašajo s krvjo, morajo zdravstveni delavci pri vseh bolnikih redno izvajati univerzalne preventivne ukrepe za kri in telesne tekočine. Med kakršnim koli ravnanjem s pripomočkom je treba strogo slediti sterilni tehniki.
- Pripomočka CLEANER 15™ ne vstavljajte naprej, če naletite na upor, dokler s fluoroskopijo ne ugotovite vzroka upora in ne izvedete potrebnega ukrepa, da ga odpravite. Prekomerna sila proti uporju lahko povzroči poškodbe pripomočka ali ožilja.
- Preden pripomoček CLEANER 15™ vstavite in kadarkoli ga odstranite iz žilnega sistema, je treba kateter sprati.
- Če se kateter ali žično vodilo med uporabo upogneta ali kako drugače poškodujeta, prenehajte z uporabo in ju zamenjajte.
- Zdravniki se morajo zavedati potencialnih zapletov, povezanih s trombolizo perifernega ožilja, vključno z naslednjimi:
 - perforacijo ali razpočenjem žile
 - žilni krč
 - hematom
 - sepsa/okužba
 - intimalna disrupcija
 - žilna tromboza
 - alergična reakcija na kontrastni medij
 - tromboembolija
 - distalno embolizacijo krvnih strdkov
 - krvavitev
 - bolečina in občutljivost
 - tromboflebitis
 - arterijska disekcija
 - reakcije na zdravila
 - arteriovenozna fistula
 - amputacija
- Pri dolgotrajni uporabi pripomočka CLEANER 15™ lahko pride do obrabe sinusne žice CLEANER 15™. Ko naletite na ostre polmere, je priporočljiva hitrost izvlačenja 1-2cm/sekundo (npr. polmer zankastega kanala ali fistule, polmer < 3 cm).

PRIPOROČENI POSTOPEK:

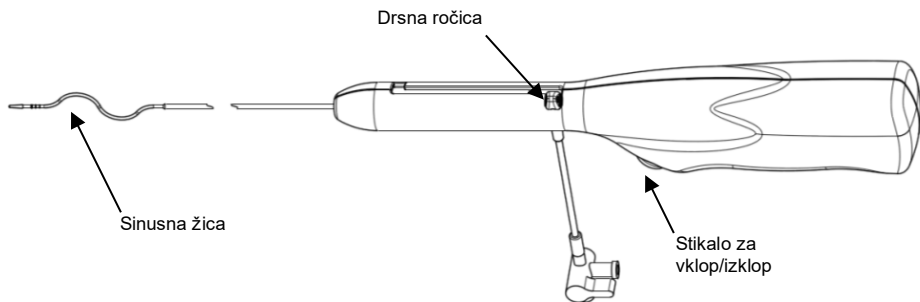
Uporaba sterilne tehnike.

Priprava bolnika:

1. Predhodno odmerjanje ustreznih odmerkov pomirjeval, analgetikov in/ali antibiotika v skladu z bolnišničnim protokolom.

Preizkušanje delovanja pripomočka:

2. Vzemite rotacijski sistem za trombektomijo CLEANER 15™ iz embalaže. Pritisnite stikalo za VKLOP/IZKLOP in se prepričajte, ali se sinusna žica prosto vrti (glejte sliko 2). Izpustite stikalo, da se rotator preneha vrteti. **Previdnostni ukrep: Ne uporabljajte pripomočka, če se ta ne aktivira takoj, ko pritisnete stikalo, in izključi takoj, ko stikalo izpustite.**



Slika 2

Periferno ožilje

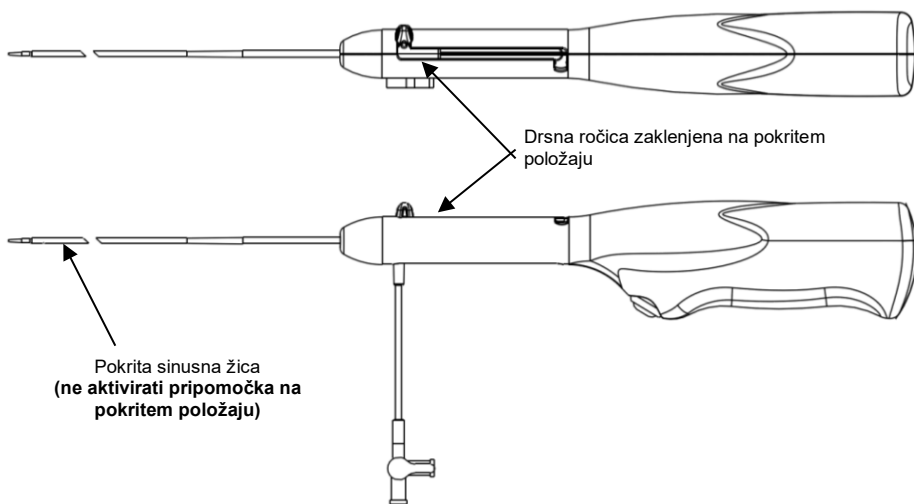
3. Na vhod za spiranje katetra pritrdite brizgo s terapevtskim sredstvom ali fiziološko raztopino in sperite kateter CLEANER 15™. Prepričajte se, da tekočina izteka iz najbolj distalne odprtine katetra, ki je blizu konca katetra. Zaprite zaporni ventil, da "zaklenete" terapevtsko sredstvo ali heparin v kateter in odstranite brizgo.

Zdravljenje:

Natančen postopek zdravljenja mora določiti zdravnik. Naslednja možnost opisuje, kako lahko postopek poteka.

4. Postopek izvajajte pod stalno fluoroskopijo. Sinusne žice ne začnite vrteti (aktivacija pripomočka), dokler ne potrdite pravilne namestitve pripomočka v perifernem ožilju.
5. Pripravite mesto vboda, kot je potrebno.
6. Na mesto vboda dajte lokalni anestetik, da lahko vstavite žilno uvajalo.
7. Izberite ustrezno veliko uvajalo, primerno za kateter CLEANER 15™ in druge pripomočke/katetre, ki jih boste morda uporabljali med postopkom. Največja velikost žičnega vodila bo odvisna od izbranega žilnega uvajala/dilatatorja. Pri prečkanju iliakalne bifurkacije je treba uporabiti dolgo, ojačano uvajalo.
8. Pripravite in namestite žilno uvajalo v skladu z bolnišničnim protokolom. Uvajalo je treba vstaviti v venozni krak perifernega ožilja, usmerjeno proti mestu zdravljenja. Postavitev venoznega uvajala je lahko opcjska, odvisno od količine strdkov v žili.
9. Pripomoček CLEANER 15™ vstavite v pokritem položaju tako, da potiskate drsno ročico proti distalnemu položaju in ročico hkrati vrtite, da pripomoček fiksirate na pokritem položaju (glejte sliko 3). Ko je na pokritem položaju, mora iz katetra moleti samo gibljiva konica sinusne žice. **Opozorilo: Pripomočka na pokritem položaju ne aktivirajte.**
10. Med vstavljanjem skozi zaklopko žilnega uvajala primate gibljivo konico med palec in kazalec. Vstavite pokriti pripomoček skozi venosno uvajalo in v venozni krak perifernega ožilja.
11. Na zaporni ventil pritrdite 10 cc brizgo s terapevtsko snovjo, predviden za infuzijo. Odprite zaporni ventil, da omogočite pretok. **Opozorilo: Ne vlečite krvi nazaj v kateter.**

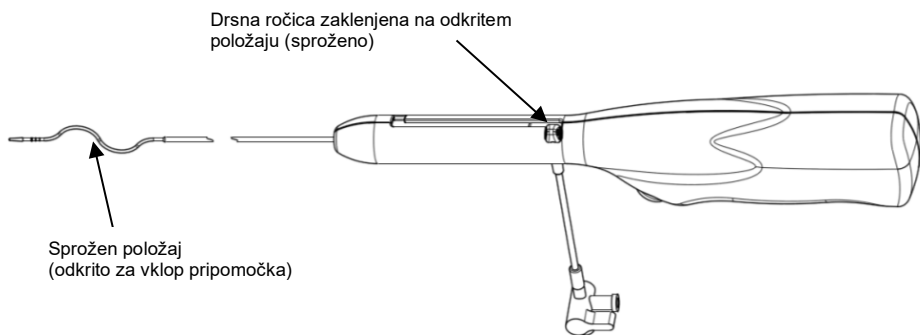
Opomba: Sledite navodilom proizvajalca glede obnovitve in redčenja specificiranih tekočin.



Slika 3

12. Vstavite gibljivo konico do najbolj distalnega strdka. Sedaj odkrijte sinusno žico tako, da odklenete in do konca vpotegnete drsno ročico in jo obračate, dokler ne zaslišite "klika" (glejte sliko 4). S pomočjo fluoroskopije preverite, ali je pripomoček pravilno vstavljen. Pritisnite stikalo za VKLOP/IZKLOP, da aktivirate vrtenje.

Periferno ožilje



Slika 4

13. Ko je pripomoček CLEANER 15™ aktiviran, počasi vlecite rotacijsko sinusno žico iz mesta zdravljenja, hkrati pa skozi vrata za infuzijo vbrizgavajte zdravilo, da razbijete strdek. **Opozorilo: Ko naletite na ostre polmere, žico vlecite ven s hitrostjo 1-2 cm/sekundo.** Ko sinusna žica doseže konico venskega uvajala, izpustite stikalo, da izključite vrtenje rotacijske disperzijske žice.
14. Pokrijte pripomoček CLEANER 15™ in ga odstranite iz perifernega ožilja. Sperite lumen katetra s fiziološko raztopino in ročno odstranite morebitne nakopičene vlaknine s sinusne žice.
15. Razmeščan strdek aspirirajte skozi žilno uvajalo in ga odstranite. **Previdnostni ukrep: Neprestana neuspešna aspiracija lahko poškoduje žilno uvajalo in žilo.**
16. Skozi venozno cevko vbrizgajte majhno količino kontrasta in ocenite stopnjo dosežene odstranitve strdka. **Opozorilo: Preprečite prekomerno vbrizganje kontrasta, da zmanjšanje tveganje embolizacije.** Preostale strdke odstranite z 11-15-imi ponovitvami postopka, dokler ne dosežete sprejemljive stopnje odstranjenosti strdka.
17. Ko odstranite strdek, zadevno bolezen ali stenozo zdravite v skladu z bolnišničnim protokolom.
18. Opravite končni angiogram.
19. Odstranite uvajalo iz perifernega ožilja.
20. Na mestu oz. mestih vboda zaustavite krvavitev v skladu z bolnišničnim protokolom.

Kanali in fistule

INDIKACIJE ZA UPORABO:

Rotacijski sistem za trombektomijo CLEANER 15™ je indiciran za mehansko odstranjevanje strdkov iz fistule za dializo naravne žile in umetnih kanalov za dializo.

KONTRAINDIKACIJE:

Rotacijski sistem za trombektomijo CLEANER 15™ je kontraindiciran v naslednjih primerih:

- kadar po presoji zdravnika tovrstni sistem lahko ogroža bolnikovo stanje;
- V naravnih žilah, s premerom manj kot 6 mm.
- obstoječa okužba dostopnega mesta za hemodializo;
- fistule za dializo nedozorele naravne žile (fistule, ki niso bile uporabljene za najmanj en tretma hemodialize).

OPOZORILA IN PREVIDNOSTNI UKREPI:

- Pred uporabo preberite vsa opozorila, previdnostne ukrepe in navodila v priloženih navodilih. Če tega ne storite, lahko pride do hudih poškodb in smrti bolnika.
- Te postopke lahko izvajajo samo zdravniki in osebje, seznanjeno z zadevno opremo in tehnikami. EtO je steriliziral pripomoček in je sterilen, če embalaža ni bila odprta ali poškodovana. Pred uporabo je treba pregledati embalažo; če je poškodovana, je NE UPORABLJAJTE. Pripomoček je predviden samo za enega bolnika; NI DOVOLJENA PONOVNNA UPORABA ALI PONOVNNA STERILIZACIJA.
- Pred uporabo skrbno preglejte rotacijski sistem za trombektomijo CLEANER 15™ in se prepričajte, da se med pošiljanjem ni poškodoval. Če komponente izdelka kažejo kakršne koli znake poškodbe, JIH NE UPORABLJAJTE.
- Zaradi nevarnosti izpostavljenosti HIV-u (virus imunske pomanjkljivosti) ali drugim patogenom, ki se prenašajo s krvjo, morajo zdravstveni delavci pri vseh bolnikih redno izvajati univerzalne preventivne ukrepe za kri in telesne tekočine. Med kakršnim koli rvanjem s pripomočkom je treba strogo slediti sterilni tehniki.
- Zdravniki se morajo zavedati potencialnih zapletov, povezanih s fistulo in graftom, vključno z naslednjimi:
 - krvavitev
 - simptomatična pljučna embolija
 - arterijska embolizacija
 - alergična reakcija na kontrastni medij
 - psevdoanevrizem
 - bolečina in/ali občutljivost
 - pretgranje ali prekinitev žile
 - okužba
 - perforacija arterije ali vene
 - hematoma
 - smrt
- Pri odstranjevanju čepa pri arterijski anastomozi je treba paziti, da zmanjšate tveganje arterijske embolizacije.
- Zaradi pomanjkanja izločanja pri bolnikih s hemodializo, je treba med tem postopkom ohraniti uporabo kontrasta na minimumu.
- Pri dolgotrajni uporabi pripomočka CLEANER 15™ lahko pride do obrabe sinusne žice CLEANER 15™. Ko naletite na ostre polmere, je priporočljiva hitrost izvleka 1-2cm/sekundo (npr. polmer zankastega kanala ali fistule, polmer < 3 cm).

PRIPOROČENI POSTOPEK:

Uporaba sterilne tehnike.

Priprava bolnika:

1. Predhodno odmerjanje ustreznih odmerkov pomirjeval, analgetikov in/ali antibiotika v skladu z bolnišničnim protokolom.

Preizkušanje delovanja pripomočka:

2. Vzemite rotacijski sistem za trombektomijo CLEANER 15™ iz embalaže. Pritisnite stikalo za VKLOP/IZKLOP in se prepričajte, ali se sinusna žica prosto vrti (glejte sliko 2). Izpusnite stikalo, da se rotator preneha vrteti. **Previdnostni ukrep: Ne uporabljajte pripomočka, če se ta ne aktivira takoj, ko pritisnete stikalo, in izključite takoj, ko stikalo izpuscite.**
3. Sperite kateter CLEANER 15™ s fiziološko raztopino skozi vhod za spiranje lumna katetra. Pred tem postopkom zaprite zaporni ventil.

Postopek za trombolizo:

4. Postopek trombolize CLEANER 15™ izvajajte pri stalni fluoroskopiji. Sinusne žice ne začnite vrteti (aktivacija pripomočka), dokler ne potrdite pravilne namestitve pripomočka v fistuli ali kanalu.
5. Pripravite mesto vboda, kot je potrebno.
6. Na mesto vboda dajte lokalni anestetik, da lahko vstavite žilno uvajalo.
7. Izberite ustrezno veliko uvajalo, primerno za kateter CLEANER 15™ in druge pripomočke/katetre, ki jih boste morda uporabljali med postopkom. Največja velikost žičnega vodila bo odvisna od izbranega sklopa žilnega uvajala/dilatatorja.
8. Pripravite in namestite uvajalo v skladu z bolnišničnim protokolom. Žilno uvajalo je treba vstaviti v veleni krak kanala in jo usmeriti proti veleni anastomozi. V fistuli je postavitev veleno cevke lahko opcjska, odvisno od količine strdkov v žili. Pri uporabi žilnega uvajala, je le tega treba vstaviti v veleni krak fistule in jo usmeriti proti osrednjemu velenemu toku. Opomba: Če v AV-fistuli ne uporabljate žilnega uvajala, nadaljujete s 16. korakom.

Kanali in fistule

9. Pripomoček CLEANER 15™ vstavite v pokritem položaju tako, da potiskate drsno ročico proti distalnemu položaju in ročico hkrati vrtite, da pripomoček fiksirate na pokritem položaju (glejte sliko 3). Ko je na pokritem položaju, mora iz katetra moletti samo gibljiva konica sinusne žice. Pripomočka na pokritem položaju ne aktivirajte.
10. Med vstavljanjem skozi zaklopko cevke primate gibljivo konico med palec in kazalec. Vstavite pokriti pripomoček skozi venso uvajalo v venozni krak fistule ali graft.
11. Pri graftu vstavite gibljivo konico do venozne anastomoze. **Opozorilo: Ne vstavite je dlje od anastomoze.** Pri fistuli vstavite gibljivo konico do najbolj osrednjega strdka. Sedaj odkrijte sinusno žico tako, da odklenete in do konca vpletete drsno ročico in jo obračate, dokler ne zaslišite "klika" (glejte sliko 4). S pomočjo fluoroskopije preverite, ali je pripomoček pravilno vstavljen v fistuli ali kanalu. Pritisnite stikalo za VKLOP/IZKLOP, da aktivirate vrtenje.
Opomba: Med odkrivanjem žice je treba paziti, da je ne vstavite v strdek ali mimo anastomoze.
12. Ko je pripomoček CLEANER 15™ aktiviran, počasi vlecite rotacijsko sinusno žico vzdolž kanala ali fistule, da razbijete strdek. **Opozorilo: Ko naletite na ostre polmere, žico vlecite ven s hitrostjo 1-2 cm/sekundo.** Ko sinusna žica doseže konico venozno cevko, izpuscite stikalo, da izključite rotator.
13. Pokrijte pripomoček CLEANER 15™ in ga odstranite iz grafta ali fistule. Sperite lumen katetra s fiziološko raztopino in ročno odstranite morebitne nakopičene vlaknine s sinusne žice.
14. Razmehčan strdek aspirirajte skozi žilno uvajalo in ga odstranite. **Previdnostni ukrep: Neprestana neuspešna aspiracija lahko poškoduje uvajalo in graft/fistulo.**
15. Skozi venso uvajalo vbrizgajte majhno količino kontrasta in ocenite stopnjo dosežene odstranitve strdka. **Opozorilo: Spreprečite prekomerno vbrizganje kontrasta, da zmanjšanje tveganje arterijske embolizacije.** Preostale strdke odstranite z 11-14-imi ponovitvami postopka, dokler ne dosežete sprejemljive stopnje odstranjenosti strdka.
16. Na mesto vboda dajte lokalni anestetik, da lahko vstavite arterijsko uvajalo. Pripravite in namestite arterijsko uvajalo v skladu z bolnišničnim protokolom. Arterijsko uvajalo mora biti usmerjeno proti arterijski anastomози. **Previdnostni ukrep: Konici arterijskega in venskega uvajala se ne smeta prekrivati.**
17. Med vstavljanjem CLEANER 15™ skozi uvajalo primate gibljivo konico med palec in kazalec. Vstavite pokriti pripomoček skozi arterijsko uvajalo in v arterijski krak fistule ali grafta.
18. Pri graftu vstavite gibljivo konico do arterijske anastomoze. **Opozorilo: Ne vstavite je dlje od anastomoze.** Pri fistuli vstavite gibljivo konico do najbolj osrednjega strdka. Sedaj odkrijte sinusno žico tako, da odklenete in do konca vpletete drsno ročico in jo obračate, dokler ne zaslišite "klika". S pomočjo fluoroskopije preverite, ali je pripomoček pravilno vstavljen v fistuli ali graftu. Pritisnite stikalo za VKLOP/IZKLOP, da aktivirate vrtenje.
19. Ko je pripomoček aktiviran, počasi vlecite rotacijsko sinusno žico v pokriti položaj vzdolž grafta ali fistule, da razbijete strdek. **Opozorilo: Ko naletite na ostre polmere, žico vlecite ven s hitrostjo 1-2 cm/sekundo.** Ko sinusna žica doseže konico arterijske cevke, izpuscite stikalo, da izključite rotator.
20. Pokrijte pripomoček in ga odstranite iz grafta ali fistule. Sperite lumen katetra s fiziološko raztopino in ročno odstranite morebitne nakopičene vlaknine s sinusne žice.
21. Razmehčan strdek aspirirajte s pomočjo enega od uvajal in ga odstranite. **Previdnostni ukrep: Neprestana neuspešna aspiracija lahko poškoduje uvajalo in graft /fistulo.**
22. Skozi arterijsko cevko vstavite ustrezen kateter in ga previdno pomaknite mimo arterijske anastomoze grafta ali fistule. Napihnite balon, če gre za balonski kateter. Povlecite arterijski čep na sredino arterijskega kraka. Izpraznite balon in odstranite balonski kateter.
23. Ponovno vstavite pokriti pripomoček CLEANER 15™ skozi arterijsko cevko v arterijski krak grafta ali fistule.
24. Odkrijte sinusno žico in aktivirajte pripomoček, da razbijete arterijski čep, postopek pa nadzirajte s pomočjo kontrasta.
25. Pokrijte pripomoček in ga odstranite iz grafta ali fistule. Sperite lumen katetra s fiziološko raztopino in ročno odstranite morebitne nakopičene vlaknine s sinusne žice.
26. Razmehčan strdek aspirirajte skozi uvajalo in ga odstranite.
27. Vbrizgajte kontrast in ocenite stopnjo odstranitve tromboze. Morebitne ostanke tromboze po potrebi obdelajte z CLEANER 15™ skozi katerokoli uvajalo.
28. Ko odstranite strdek, zdravite zadevno bolezen ali stenozo v skladu z bolnišničnim protokolom.
29. Opravite končni fistulogram.
30. Odstranite uvajala iz fistule ali grafta.
31. Na mestu oz. mestih vboda zaustavite krvavitev v skladu z bolnišničnim protokolom.

OPOZORILO:

Samo za enkratno uporabo. Ni dovoljena ponovna uporaba, predelava ali ponovna sterilizacija. Ponovna uporaba, predelava ali ponovna sterilizacija lahko ogrožajo strukturno celovitost pripomočka in/ali vodijo do okvare pripomočka, kar lahko posledično vodi do poškodbe, bolezni ali smrti bolnika. Ponovna uporaba, predelava ali ponovna sterilizacija lahko prav tako predstavljajo tveganje kontaminacije pripomočka in/ali povzročijo okužbo bolnika ali navzkrižno okužbo, vključno, vendar ne omejeno na, prenos nalezljivih bolezni iz enega bolnika na drugega. Kontaminacija pripomočka lahko vodi do poškodb, bolezni ali smrti bolnika.

SHRANJEVANJE:

Skladiščite pri nadzorovani sobni temperaturi. Ne izpostavljajte organskim raztopinam, ionizacijskemu sevanju ali ultravijolični svetlobi.

ODSTRANJEVANJE:

Katetrski sistem odstranite v skladu z Direktivo o odpadni električni in elektronski opremi (OEEO) in standardnimi postopki ustanove za medicinske odpadke, vključno s pripomočki za enkratno uporabo za odvzem krvi.

ODPOVED JAMSTVA IN OMEJITEV GARANCIJE:

Za pripomoček oz. pripomočke Argon Medical, opisan v tem dokumentu, ne obstaja izrecno ali implicirano jamstvo, vključno z jamstvom brez omejitve in impliciranim jamstvom za prodajnost izdelka ali njegovo pripravnost za določen namen. Podjetje Argon Medical ne prevzema nobene odgovornosti za kakršnekoli neposredne, nezgodne ali posledične škode, razen tiste, izrecno določene s specifičnim zakonom. Nobena oseba nima pooblastila, da bi podjetje Argon Medical obvezala do kakršnegakoli jamstva, razen tega, navedena tukaj.

Opisi ali specifikacije v tiskanih dokumentih podjetja Argon Medical, vključno s temi navodili, so predvideni izključno za splošni opis izdelka v času proizvodnje in ne predstavljajo nobenega izrecnega jamstva.

Podjetje Argon Medical ne prevzema nobene odgovornosti za kakršnokoli neposredno, nezgodno ali posledično škodo, nastalo zaradi ponovne uporabe izdelka.



E353911

MEDICAL — GENERAL MEDICAL EQUIPMENT
AS TO ELECTRICAL SHOCK, FIRE AND MECHANICAL HAZARDS ONLY
IN ACCORDANCE WITH IEC60601-1 3rd Ed. & CAN/CSA-C22.2
NO. 60601.1 (2008), AAMI ES 60601-1:2008
4CR3



Slovar simbolov se nahaja v elektronski obliki na
www.argonmedical.com/symbols



EMERGO EUROPE
Westervoortsedijk 60
6827 AT Arnhem
The Netherlands
+31 70 345 8570



ARGON MEDICAL DEVICES, INC.
1445 Flat Creek Road
Athens, Texas 75751 USA
Tel: +1 (903) 675 9321
Tel: +1 (800) 927 4669
www.argonmedical.com



Emergo Consulting (UK) Limited
c/o Cr 360 - UL International
Compass House, Vision Park Histon
Cambridge CB24 9BZ
United Kingdom

CLEANER 15™

Rotational Thrombectomy System

Spanish - Leer todas las instrucciones antes del uso

	páginas
Instrucciones de uso en vascular periférico	1-4
Instrucciones de uso en injertos y fistulas	5-6

DESCRIPCIÓN DEL DISPOSITIVO:

CLEANER 15™ Rotational Thrombectomy System es un sistema para trombectomía giratorio basado en un catéter percutáneo de 7 Fr (hecho de una sola pieza). Esta unidad de accionamiento giratorio de mano y desechable operada por batería está conectada a un alambre guía sinuoso que gira aproximadamente a 4000 RPM. La guía y la punta atramática son radiopacas para facilitar la visualización fluoroscópica.

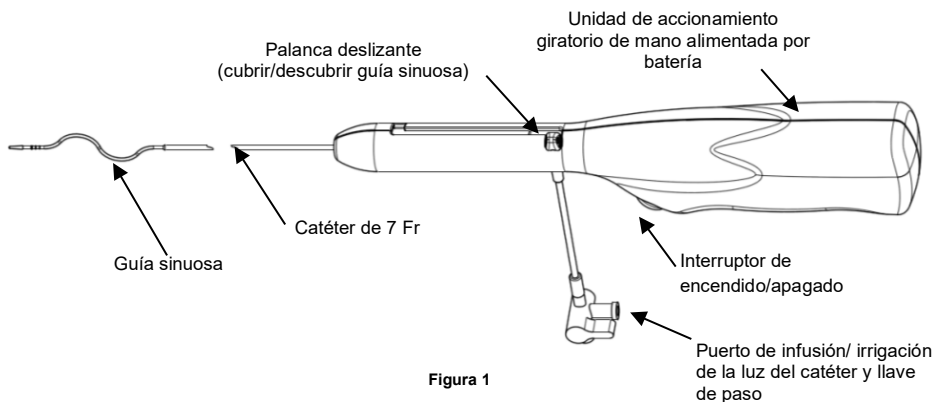


Figura 1

INDICACIONES DE USO:

CLEANER 15™ Rotational Thrombectomy System está indicado para la extracción mecánica de trombos y la infusión controlada y selectiva de fluidos indicada por el médico, incluidos los trombolíticos, en el sistema vascular periférico

CONTRAINDICACIONES:

CLEANER 15™ Rotational Thrombectomy System está contraindicado en los siguientes casos:

- Cuando, según el criterio clínico del médico, el procedimiento puede comprometer las condiciones del paciente.
- No está diseñado para la dilatación vascular periférica.
- Este sistema no está previsto para la infusión de sangre o de productos sanguíneos.
- Consulte las indicaciones, contraindicaciones, efectos secundarios y precauciones en el folleto incluido con la solución terapéutica elegida.
- En vasos naturales con un diámetro inferior a 6 mm.
- En pacientes sin filtro vascular, como el filtro de vena cava inferior.

Vascular Periférico

ADVERTENCIAS Y PRECAUCIONES:

- Antes del uso, lea todas las advertencias, precauciones e instrucciones del folleto incluido en el paquete. No hacerlo puede derivar en lesiones graves para el paciente e incluso la muerte.
- Estos procedimientos solo deben realizarlos médicos y personal expertos en el uso del equipo y de las técnicas asociadas. El dispositivo ha sido esterilizado con óxido de etileno (OE) y permanece estéril mientras el paquete esté cerrado y en buenas condiciones. Se debe examinar el paquete antes del uso; NO LO UTILICE si está dañado. El dispositivo está previsto para usarse en un solo paciente; NO LO REUTILICE NI REESTERILICE.
- Antes del uso, examine detenidamente CLEANER 15™ Rotational Thrombectomy System para verificar que no se ha deteriorado en el transporte. Si alguno de los componentes del producto muestra desperfectos, NO LO UTILICE.
- Debido al riesgo de exposición al VIH (Virus de inmunodeficiencia humana) u otros patógenos de transmisión hemática, los trabajadores de la salud deben emplear a diario las precauciones universales de bioseguridad relativas a la sangre y los fluidos corporales en la práctica clínica con todos los pacientes. Debe observarse estrictamente la técnica estéril durante cualquier manipulación del dispositivo.
- Si detecta cualquier resistencia, no continúe hasta que haya determinado la causa de la resistencia mediante fluoroscopia y tomado las medidas correctivas necesarias. El empleo de la fuerza ante la resistencia puede ocasionar daños en el dispositivo o en el sistema vascular
- Antes de la introducción, y siempre que se extraiga CLEANER 15™ del sistema vascular, es necesario irrigar el catéter.
- Si el catéter o la guía se doblan o dañan de alguna manera durante el uso, deje de utilizarlos y sustitúyalos.
- Los médicos deben ser conscientes de las posibles complicaciones relacionadas con la trombólisis vascular periférica, como son:
 - Perforación o ruptura de vasos
 - Espasmos vasculares
 - Hematoma
 - Septicemia/Infección
 - Desgarro de la íntima
 - Trombosis vascular
 - Reacción alérgica a medios de contraste
 - Episodios de tromboembolia
 - Embolización distal de coágulos de sangre
 - Hemorragia
 - Dolor
 - Tromboflebitis
 - Disección arterial
 - Reacciones a fármacos
 - Fístula arteriovenosa
 - Amputación
- Podría producirse un fallo potencial por fatiga del sistema sinosoidal del CLEANER 15™ tras una activación prolongada del dispositivo CLEANER 15™. Se recomienda una velocidad de retirada de 1-2 cm/segundo cuando se encuentran radios agudos (es decir, radio de fístula o injerto en puente < 3 cm).

PROCEDIMIENTO SUGERIDO:

Utilice una técnica estéril.

Preparación del paciente:

1. Administre la medicación previa (ansiolítico, analgésico o antibiótico) que estipule el protocolo del centro/hospital.

Prueba de funcionamiento del dispositivo

2. Extraiga CLEANER 15™ Rotational Thrombectomy System del paquete. Pulse el interruptor de ENCENDIDO/APAGADO para asegurarse de que el sistema sinosoidal gira libremente (ver Figura 2). Suelte el interruptor para detener el movimiento giratorio. **Precaución: No utilice el dispositivo si no se activa o desactiva inmediatamente al pulsar o soltar el interruptor.**

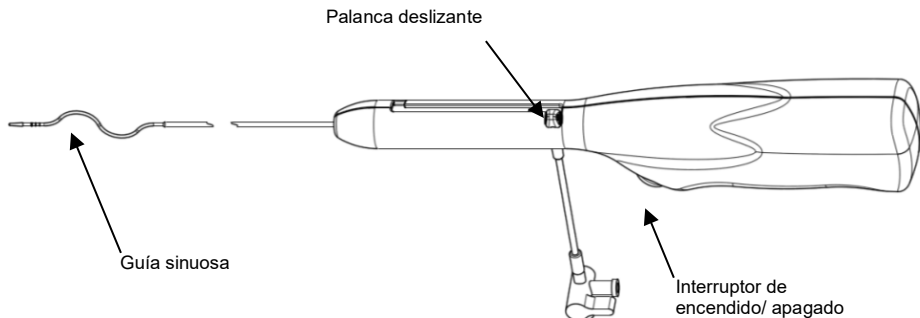


Figura 2

Vascular Periférico

- Acople una jeringa con medicamento o solución salina heparinizada al puerto de infusión del catéter e irrigue el catéter CLEANER 15™. Compruebe que sale líquido por el orificio más distal del catéter, cerca del extremo del catéter. Cierre la llave de paso para "bloquear" la salida del medicamento o la solución heparinizada del catéter y retire la jeringa.

Tratamiento:

El procedimiento exacto del tratamiento lo debe establecer el médico. A continuación se describe un posible procedimiento.

- Termine el procedimiento con control fluoroscópico continuo. No inicie el giro de la guía sinuosa (activación del dispositivo) hasta haber confirmado que el dispositivo se encuentra en la posición adecuada de la vasculatura periférica.
- Prepare el lugar de la punción como corresponda.
- Administre anestesia local en el lugar de la punción para la inserción del introductor venoso
- Seleccione un introductor del tamaño adecuado para adaptar el catéter CLEANER 15™ y demás dispositivos/catéteres que puedan utilizarse en el procedimiento. El tamaño máximo de la guía dependerá del conjunto de introductor de vaina/dilatador elegido. Si se cruza la bifurcación iliaca, se debe utilizar una vaina larga reforzada.
- Prepare y coloque el introductor conforme al protocolo del centro. El introductor debe situarse en la rama venosa y dirigirse hacia el lugar del tratamiento. La posición del introductor puede variar en función de la masa embólica en el vaso.
- Coloque el dispositivo en la posición cubierta; para ello, empuje la palanca deslizante hasta el final y gírela para bloquearla (ver Figura 3). Cuando está en la posición cubierta, solo sale del catéter la punta flexible del sistema sinusoidal. **Advertencia: El dispositivo no se debe activar en la posición cubierta.**
- Sujete la punta flexible con los dedos índice y pulgar durante la inserción a través de la válvula del introductor. Inserte el dispositivo cubierto en la rama venosa.
- Acople una jeringa de 10 ml con el medicamento previsto para la infusión a la llave de paso. Abra la llave de paso para permitir el flujo. **Advertencia: No extraiga sangre hacia el catéter.**

Nota: Siga las instrucciones del fabricante sobre la reconstitución y dilución de líquidos específicos.

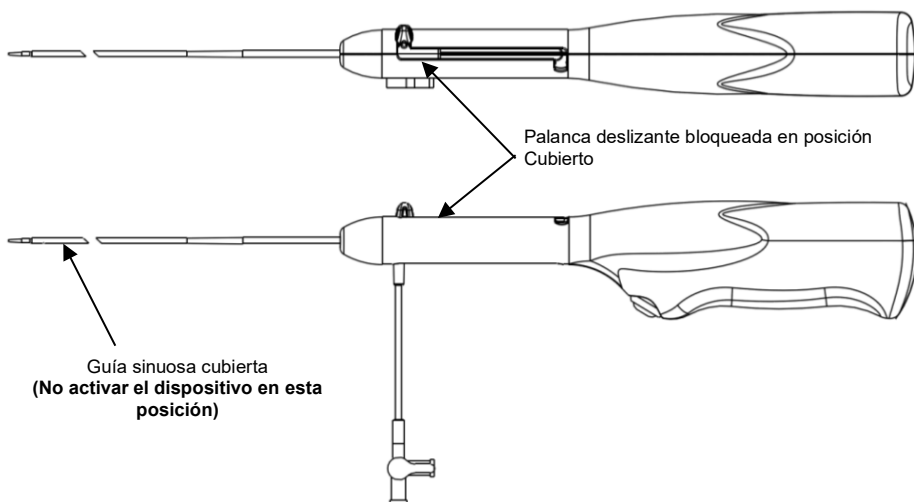


Figura 3

- Haga avanzar la punta flexible hasta el extremo más distal del coágulo. Descubra la guía sinuosa; para ello, desbloquéela retrayendo la palanca deslizante y girándola hasta oír un "clic" (ver Figura 4). Confirme la posición del dispositivo en el lugar del tratamiento mediante fluoroscopia. Pulse el interruptor de encendido/apagado para activar la rotación.

Vascular Periférico

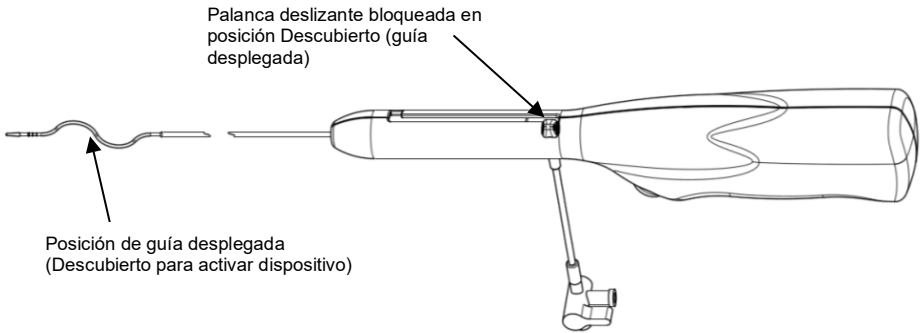


Figura 4

13. Con el dispositivo activado, retire lentamente el sistema sinusoidal de rotación a lo largo del lugar del tratamiento, mientras irriga medicamento por el puerto de infusión, para fragmentar el coágulo. **Advertencia: Se recomienda una velocidad de retirada de 1-2 cm/segundo cuando se encuentran radios agudos.** Cuando el sistema sinusoidal alcance la punta de la vaina venosa, suelte el interruptor para desactivar la guía de dispersión giratoria.
14. Cubra el dispositivo y extráigalo. Irrigue la luz del catéter con solución salina heparinizada y retire manualmente cualquier resto de fibrina acumulado en el sistema sinusoidal
15. aspire el coágulo macerado a través de la vaina y deseche el resultado de la aspiración. **Precaución: Una aspiración continua sin resultados podría colapsar la vaina y el vaso.**
16. Inyecte una pequeña cantidad de contraste a través del introductor para evaluar el nivel de extracción del trombo alcanzado. **Advertencia: Evite la inyección excesiva de contraste para minimizar el riesgo de embolia.** Repita los pasos 11-15 para tratar el trombo residual y conseguir un nivel de extracción aceptable.
17. Cuando termine de extraer el trombo, siga el protocolo del centro para tratar la estenosis o enfermedad subyacente.
18. Realice el angiograma final.
19. Retire el introductor del sistema vascular periférico.
20. Siga el protocolo del centro para conseguir la hemostasia en el lugar de punción.

Injertos y fistulas

INDICACIONES DE USO:

CLEANER 15™ Rotational Thrombectomy System está indicado para la extracción mecánica de coágulos en fistulas para diálisis en vasos naturales y en injertos sintéticos de acceso para diálisis.

CONTRAINDICACIONES:

CLEANER 15™ Rotational Thrombectomy System está contraindicado en los siguientes casos:

- Cuando, según el criterio clínico del médico, el procedimiento puede comprometer las condiciones del paciente.
- En vasos naturales con un diámetro inferior a 6 mm.
- Presencia de infección en el lugar de acceso de la hemodiálisis.
- Fistulas para diálisis en vasos naturales inmaduras (fistulas no utilizadas al menos en un tratamiento de hemodiálisis).

ADVERTENCIAS Y PRECAUCIONES:

- Antes del uso, lea todas las advertencias, precauciones e instrucciones del folleto incluido en el paquete. No hacerlo puede derivar en lesiones graves para el paciente e incluso la muerte.
- Estos procedimientos solo deben realizarlos médicos y personal expertos en el uso del equipo y de las técnicas asociadas. El dispositivo ha sido esterilizado con óxido de etileno (OE) y permanece estéril mientras el paquete esté cerrado y en buenas condiciones. Se debe examinar el paquete antes del uso; NO LO UTILICE si ha sufrido algún desperfecto. El dispositivo está previsto para usarse en un solo paciente; NO LO REUTILICE NI REESTERILICE.
- Antes del uso, examine detenidamente CLEANER 15™ Rotational Thrombectomy System para verificar que no ha sufrido desperfectos durante el transporte. Si alguno de los componentes del producto muestra algún signo de deterioro, NO LO UTILICE.
- Debido al riesgo de exposición al VIH (Virus de inmunodeficiencia humana) u otros patógenos de transmisión hemática, los trabajadores de la salud deben emplear a diario las precauciones universales de bioseguridad relativas a la sangre y los fluidos corporales en la práctica clínica con todos los pacientes. Debe observarse estrictamente la técnica estéril durante cualquier manipulación del dispositivo.
- Los médicos deben ser conscientes de las posibles complicaciones relacionadas con la trombólisis de fistulas e injertos para diálisis, como son:
 - Hemorragia
 - Embolia pulmonar sintomática
 - Embolia arterial
 - Reacción alérgica a medios de contraste
 - Seudoaneurisma
 - Dolor
 - Desgarro o rotura de vasos
 - Infección
 - Perforación de la arteria o vena
 - Hematoma
 - Muerte
- Preste especial atención al retirar el trombo en la anastomosis arterial para minimizar el riesgo de embolia arterial.
- Debido a la falta de eliminación asociada a los pacientes de hemodiálisis, el uso de contraste debe reducirse al mínimo durante este procedimiento.
- Podría producirse un fallo potencial por fatiga de la guía sinuosa del CLEANER 15™ tras una activación prolongada del dispositivo CLEANER 15™. Se recomienda una velocidad de retirada de 1-2 cm/segundo cuando se encuentran radios agudos (es decir, radio de fistula o injerto en puente < 3 cm).

PROCEDIMIENTO SUGERIDO:

Utilice una técnica estéril.

Preparación del paciente:

1. Administre la medicación previa (ansiolítico, analgésico o antibiótico) que estipule el protocolo del centro/hospital.

Prueba de funcionamiento del dispositivo

2. Extraiga CLEANER 15™ Rotational Thrombectomy System del paquete. Pulse el interruptor de ENCENDIDO/APAGADO para asegurarse de que el sistema sinusoidal gira libremente (ver Figura 2). Suelte el interruptor para detener el movimiento giratorio. **Precaución: No utilice el dispositivo si no se activa o desactiva inmediatamente al pulsar o soltar el interruptor.**
3. Irrigue el catéter 15™ con solución salina heparinizada a través del puerto de irrigación de la luz del catéter. Antes de proceder, cierre la llave de paso.

Procedimiento de trombólisis:

4. Lleve a cabo el procedimiento de trombólisis con CLEANER 15™ bajo control fluoroscópico continuo. No inicie el giro del sistema sinusoidal (activación del dispositivo) hasta haber confirmado que el dispositivo se encuentra en la posición adecuada de la fistula o el injerto.
5. Prepare y cubra el lugar de la punción como corresponda.
6. Administre anestesia local en el lugar de la punción para la inserción del introductor.
7. Seleccione un introductor del tamaño adecuado para adaptar el catéter CLEANER 15™ y demás dispositivos/catéteres que puedan utilizarse en el procedimiento. El tamaño máximo del introductor dependerá del conjunto de introductor/dilatador elegido.

Injertos y fistulas

8. Prepare y coloque el introductor venoso conforme al protocolo del centro. El introductor debe situarse en la rama venosa del injerto y dirigirse hacia la anastomosis venosa. En las fistulas, la posición del introductor venoso puede variar en función de la masa embólica en el vaso. Si se utiliza un introductor venoso, debe situarse en la rama venosa de la fistula y dirigirse hacia la salida venosa central. Nota: Si no se utiliza introductor venoso en la fistula AV, continúe en el paso 16.
9. Coloque el dispositivo en la posición cubierta; para ello, empuje la palanca deslizante hasta el final y gírela para bloquearla (ver Figura 3). Cuando está en la posición cubierta, solo sale del catéter la punta flexible del sistema sinusoidal. El dispositivo no se debe activar en la posición cubierta.
10. Sujete la punta flexible con los dedos índice y pulgar durante la inserción a través del introductor. Inserte el dispositivo cubierto en la rama venosa de la fistula o el injerto a través del introductor.
11. En un injerto, haga avanzar la punta flexible hasta la anastomosis venosa. **Advertencia: No avance más allá de la anastomosis.** En una fistula, haga avanzar la punta flexible hasta el extremo más central del coágulo. Descubra el sistema sinusoidal; para ello, desbloquéela retrayendo la palanca deslizante y girándola hasta oír un "clic" (ver Figura 4). Confirme la posición del dispositivo en la fistula o el injerto mediante fluoroscopia. Pulse el interruptor de encendido/apagado para activar la rotación.

Nota: Preste especial atención cuando descubra la guía para evitar que llegue al coágulo y pase la anastomosis.

12. Con el dispositivo activado, retire lentamente el sistema sinusoidal de rotación a lo largo del injerto o la fistula para fragmentar el coágulo. **Advertencia: Se recomienda una velocidad de retirada de 1-2 cm/segundo cuando se encuentran radios agudos.** Cuando la guía sinuosa alcance la punta del introductor, suelte el interruptor para desactivar la rotación.
13. Cubra el dispositivo y extráigalo del injerto o la fistula. Irrigue la luz del catéter con solución salina heparinizada y retire manualmente cualquier resto de fibrina acumulado en el sistema sinusoidal.
14. Aspire el coágulo macerado a través del introductor y deseche el resultado de la aspiración. **Precaución: Una aspiración continua sin resultados podría colapsar el introductor y el injerto/fistula.**
15. Inyecte una pequeña cantidad de contraste a través del introductor para evaluar el nivel de extracción del trombo alcanzado. **Advertencia: Evite la inyección excesiva de contraste para minimizar el riesgo de embolia arterial.** Repita los pasos 11-14 para tratar el trombo residual y conseguir un nivel de extracción aceptable.
16. Administre anestesia local en el lugar de la punción para la inserción del introductor. Prepare y coloque el introductor conforme al protocolo del centro. El introductor arterial debe dirigirse hacia la anastomosis arterial. **Precaución: Las puntas de los introductores venosos y arteriales no deben solaparse.**
17. Sujete la punta flexible con los dedos índice y pulgar durante la inserción a través del introductor. Inserte el dispositivo cubierto en la rama arterial de la fistula o el injerto a través del introductor arterial.
18. En un injerto, haga avanzar la punta flexible hasta la anastomosis arterial. **Advertencia: No avance más allá de la anastomosis.** En una fistula, haga avanzar la punta flexible hasta el extremo más central del coágulo. Descubra la guía sinuosa; para ello, desbloquéela retrayendo la palanca deslizante y girándola hasta oír un "clic". Confirme la posición del dispositivo en la fistula o el injerto mediante fluoroscopia. Pulse el interruptor de encendido/apagado para activar la rotación.
19. Con el dispositivo activado, retire lentamente el sistema sinusoidal de rotación (en posición descubierta) a lo largo del injerto o la fistula para fragmentar el coágulo. **Advertencia: Se recomienda una velocidad de retirada de 1-2 cm/segundo cuando se encuentran radios agudos.** Cuando el sistema sinusoidal alcance la punta de la vaina arterial, suelte el interruptor para desactivar la rotación.
20. Cubra el dispositivo y extráigalo del injerto o la fistula. Irrigue la luz del catéter con solución salina heparinizada y retire manualmente cualquier resto de fibrina acumulado en el sistema sinusoidal.
21. Aspire el coágulo macerado mediante un introductor y deseche el resultado de la aspiración. **Precaución: Una aspiración continua sin resultados podría colapsar el introductor y el injerto/fistula.**
22. Pase un catéter adecuado por la arteria y aplíquelo con cuidado más allá de la anastomosis arterial del injerto o la fistula. Infla el balón, si se trata de un catéter de balón. Tire del coágulo arterial hasta la mitad de la rama arterial. Desinfe el balón y retire el catéter de balón.
23. Vuelva a insertar el dispositivo CLEANER 15™ cubierto a través del introductor arterial en la rama arterial del injerto o la fistula.
24. Descubra el sistema sinusoidal y active el dispositivo para fragmentar el trombo arterial usando contraste para dirigir la maceración.
25. Cubra el dispositivo y extráigalo del injerto o la fistula. Irrigue la luz del catéter con solución salina heparinizada y retire manualmente cualquier resto de fibrina acumulado en el sistema sinusoidal.
26. Aspire el coágulo macerado a través del introductor y deseche el resultado de la aspiración.
27. Inyecte contraste para evaluar el nivel de extracción del trombo. Trate el trombo residual con el CLEANER 15™ a través de uno de los introductores, según proceda.
28. Cuando termine de extraer el trombo, siga el protocolo del centro para tratar la estenosis o enfermedad subyacente.
29. Realice el fistulograma final.
30. Retire los introductores de la fistula o el injerto.
31. Siga el protocolo del centro para conseguir la hemostasia en el lugar de punción.

ADVERTENCIA:

Para un solo uso. No reutilizar, reprocesar ni reesterilizar. Reutilizar, reprocesar o reesterilizar el dispositivo puede comprometer la integridad de su estructura y derivar en fallos del dispositivo, que a su vez pueden provocar lesiones, enfermedad o incluso la muerte del paciente. Reutilizar, reprocesar o reesterilizar también aumenta el riesgo de contaminación del dispositivo y de infección o infección cruzada del paciente, que incluye, sin limitarse a ello, la transmisión de enfermedades infecciosas de un paciente a otro. La contaminación del dispositivo puede derivar en lesiones, enfermedad e incluso la muerte del paciente.

CONSERVACIÓN:

Guarde el producto en un lugar con control de temperatura. No exponga el dispositivo a disolventes orgánicos, radiación ionizante o luz ultravioleta.

ELIMINACIÓN:

Deseche el sistema de catéter de acuerdo con la Directiva de Residuos de Aparatos Eléctricos y Electrónicos (RAEE) y conforme a los procedimientos oficiales estándar para desechos médicos como los dispositivos de contacto con la sangre de un solo uso.

EXENCIÓN DE GARANTÍA Y LIMITACIÓN DE RESPONSABILIDAD:

Los productos Argon Medical descritos en esta documentación no incluyen ninguna garantía explícita ni implícita, incluidas sin limitación la garantía implícita de comerciabilidad o adecuación a una finalidad concreta. Argon Medical no será responsable en ningún caso por daños directos, accidentales o consecuenciales distintos de los expresamente establecidos por la ley vigente. Nadie tiene la autoridad de vincular a Argon Medical con ninguna garantía o afirmación a excepción de lo aquí establecido específicamente.

Las descripciones o especificaciones en materiales impresos de Argon Medical, incluida esta publicación, solo pretenden ofrecer una descripción general del producto en el momento de fabricación y no constituyen garantía expresa alguna.

Argon Medical no será responsable en ningún caso por daños directos, accidentales o consecuenciales derivados de la reutilización del producto.



MEDICAL — GENERAL MEDICAL EQUIPMENT
AS TO ELECTRICAL SHOCK, FIRE AND MECHANICAL HAZARDS ONLY
IN ACCORDANCE WITH IEC60601-1 3rd Ed. & CAN/CSA-C22.2
NO. 60601.1 (2008), AAMI ES 60601-1:2008
4CR3



El glosario de símbolos puede consultarse electrónicamente en la dirección www.argonmedical.com/symbols



EMERGO EUROPE
Westervoortsedijk 60
6827 AT Arnhem
The Netherlands
+31 70 345 8570



ARGON MEDICAL DEVICES, INC.
1445 Flat Creek Road
Athens, Texas 75751 USA
Tel: +1 (903) 675 9321
Tel: +1 (800) 927 4669
www.argonmedical.com



Emergo Consulting (UK) Limited
c/o Cr 360 - UL International
Compass House, Vision Park Histon
Cambridge CB24 9BZ
United Kingdom

CLEANER 15™

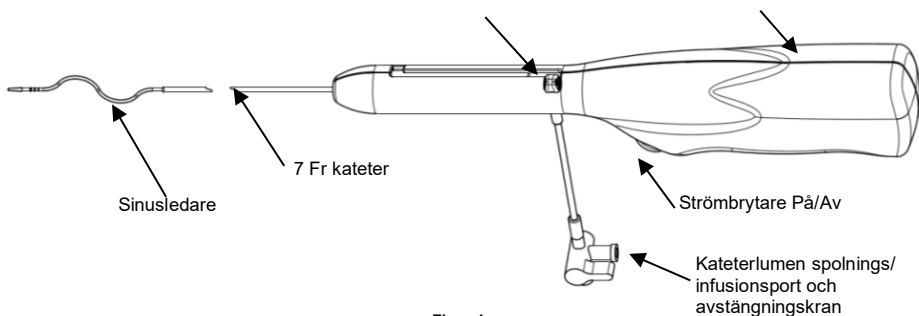
Rotational Thrombectomy System

Swedish - Alla instruktioner ska läsas före användning

	sidor
Instruktioner för användning i perifer vaskulatur	1-4
Instruktioner för användning i grafter och fistlar	5-6

BESKRIVNING AV ENHETEN:

CLEANER 15™ Roterande trombektomisystem är ett 7 Fr perkutant kateterbaserat system (endelskonstruktion). En handhållen batteridrivna rotatornheten för engångsbruk är apterad vid en sinusledare som roterar vid cirka 4000 RPM. Ledaren och den atraumatiske mjuka spetsen är röntgentäta för visualisering med fluoroskopi.



Figur 1

INDIKATIONER FÖR ANVÄNDNING:

CLEANER 15™ Roterande trombektomisystem är indikerat för mekanisk avkoagulering samt kontrollerad och selektiv infusion av vätskor specificerade av läkare, inklusive trombolytika, i den perifera vaskulaturen.

KONTRAIKATIONER:

CLEANER 15™ Roterande trombektomisystem är kontraindikerat i följande fall:

- Detta system är kontraindikerat när, enligt läkarens medicinska omdöme, en sådan procedur kan äventyra patientens tillstånd.
- Ej avsett för dilatationsändamål i perifer vaskulatur.
- Detta system är inte avsett för infusion av blod eller blodprodukter.
- Se produktbilagan för den terapeutiska lösningen för indikationer, kontraindikationer, biverkningar och försiktighetsåtgärder.
- I medfödda kärl mindre än 6 mm i diameter
- I patienter utan ett vaskulärt filter såsom ett filter av typ inferior vena cava.

Perifer vaskulatur

VARNINGAR OCH FÖRSIKTIGHETSÅTGÄRDER:

- Före användning, läs alla varningar, försiktighetsåtgärder och instruktioner i förpackningens bilaga. Underlåtenhet att göra detta kan leda till allvarliga patientskador och dödsfall.
- Dessa procedurer bör endast utföras av läkare och personal som har god kännedom om utrustningen och gällande teknik. Enheten har steriliserats med EtO och är steril såvida inte förpackningen är öppnad eller skadad. Förpackningen ska undersökas före användning: om den är skadad, ANVÄND INTE PRODUKTEN. Enheten är avsedd för användning på endast en patient: enheten får INTE ÅTERANVÄNDAS ELLER OMSTERILISERAS.
- Före användning, inspektera noga CLEANER 15™ Roterande trombektomisystem för att verifiera att det inte har skadats under transporten. Om produktkomponenterna visar tecken på skador, ANVÄND INTE PRODUKTEN.
- På grund av risken för exponering för HIV (Human Immunodeficiency Virus) eller andra blodburna patogener bör vårdpersonal rutinmässigt använda universella blod- och kroppsvätskeskydd i vården av alla patienter. Steril teknik måste användas i all hantering av enheten.
- För inte in enheten om ett motstånd känns av utan att först bestämma orsaken till motståndet under fluoroskopi och vidta nödvändiga korrigerande åtgärder. Överdriven kraft mot motståndet kan resultera i skada på enheten eller vaskulatur.
- Före införing, och närhelst CLEANER 15™ avlägsnas från det vaskulära systemet, bör katetern spolas.
- Om katetern eller guideledaren snor sig eller skadas på annat sätt under användning, avbryt användningen och byt ut komponenten.
- Läkare måste känna till möjliga komplikationer associerade med perifer vaskulaturtrombolys, inklusive:
 - Kärilperforation eller ruptur
 - Kärilspasm
 - Hematom
 - Sepsis / infektion
 - Intimal rubbning
 - Vaskulär trombos
 - Allergisk reaktion på kontrastmedel
 - Tromboemboliska episoder
 - Distal embolisering av blodproppar
 - Blödning
 - Smärta och ömhet
 - Tromboflebit
 - Arteriell dissektion
 - Drogreaktioner
 - Arteriovenös fistel
 - Amputation
- Potentiellt utmattningssfel hos CLEANER 15™ sinusledare kan inträffa vid långvarig aktivering av CLEANER 15™-enheten. En tillbakadragningshastighet på 1-2 cm/ sekund rekommenderas när skarpa radier påträffas (dvs. radie hos en slinggraft eller fistel, radie < 3 cm).

REKOMMENDERAD PROCEDUR:

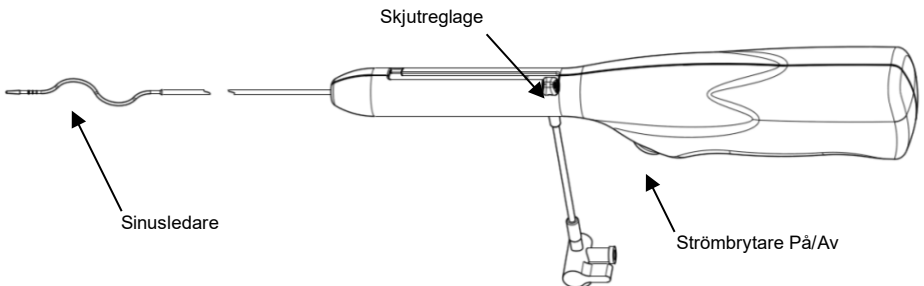
Använd steril teknik.

Förberedelse av patient:

1. Förmedicinera med lämplig anxiolytikum, analgetikum och/eller antibiotika enligt sjukhusets protokoll.

Test av enhetens prestanda:

2. Plocka fram CLEANER 15™ Roterande trombektomisystem ur förpackningen. Tryck på strömbrytaren På/Av för att säkerställa att sinusledaren roterar fritt (se figur 2). Släpp strömbrytaren för att stoppa rotatorn. **Försiktighet: Använd inte enheten om den inte aktiveras omedelbart när strömbrytaren trycks in, och inaktiveras omedelbart när strömbrytaren släpps.**



Figur 2

Perifer vaskulatur

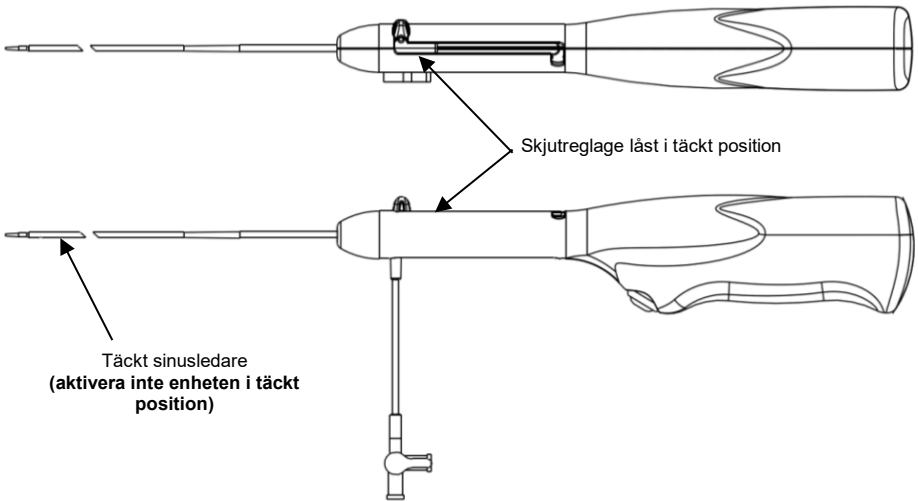
3. Anslut en spruta med terapeutiskt medel eller hepariniserad saltlösning till kateterns spolningsport och spola CLEANER 15™-katetern. Se noga till att vätska kommer ut från det mest distala kateterhålet som sitter nära änden av katetern. Stäng avstängningskranen för att "låsa" det terapeutiska medlet eller heparinet i katetern och avlägsna sprutan.

Behandling:

Den exakta behandlingsproceduren ska bestämmas av läkaren. Följande alternativ beskriver hur proceduren kan utföras.

4. Genomför proceduren under kontinuerlig fluoroskopi. Initiera inte rotation av sinusledaren (enhetsaktivering) såvida inte lämplig positionering av enheten har verifierats inom den perifera vaskulaturen.
5. Förbered och drapera punktionsstället efter behov.
6. Administrera lokal anestetika vid punktionsstället för införing av venös introducer.
7. Välj en introducer i lämplig storlek för att rymma CLEANER 15™-katetern och andra enheter/katetrar som kan komma att användas under proceduren. Maximal storlek på guideledaren beror på den introducer/dilatatorenhet som väljs. Om höftbifurkationen ska korsas bör en lång, förstärkt introducer användas.
8. Förbered och placera den venösa introducern enligt sjukhusets protokoll. Den venösa introducern bör placeras i den venösa delen av den perifera vaskulaturen och riktas mot behandlingsstället. Placeringen av den introducern kan vara valfri beroende på koaguleringen i kärlet.
9. Placera enheten i den täckta positionen genom att föra skjutreglaget till den distala positionen och vrida skjutreglaget för att låsa i den täckta positionen (se figur 3). I den täckta positionen bör endast den venösa ledarens flexibla spets sträcka ut från katetern. **Varning: Enheten får inte aktiveras i den täckta positionen.**
10. Stöd den flexibla spetsen mellan tummen och pekfingeret under införing genom hylsventilen. För in den täckta enheten genom den venösa introducern och in i den venösa delen i den perifera vaskulaturen.
11. Anslut en 10 ml spruta med det terapeutiska medlet avsett för infusion till avstängningskranen. Öppna avstängningskranen för att aktivera flöde. **Varning: Dra inte tillbaka blod in i katetern.**

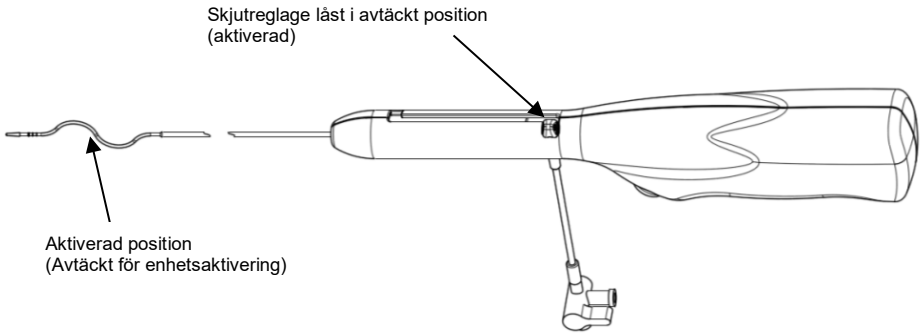
Anmärkning: Följ tillverkarens instruktioner om rekonstitution och spädning av specificerade vätskor.



Figur 3

12. För in den flexibla spetsen upp till den distala största delen av blodproppen. Avtäck sinusledaren genom att låsa upp den, dra tillbaka skjutreglaget helt och vrida skjutreglaget tills du hör ett "klick" (se figur 4). Verifiera enhetens positionering inom behandlingsstället via fluoroskopi. Tryck på strömbrytaren På/Av för att aktivera rotation.

Perifer vaskulatur



Figur 4

13. Med enheten aktiverad, dra sakta tillbaka den roterande sinusledaren längs behandlingsstället medan du infuserar terapeutiskt medel genom infusionsporten för att lösa upp blodproppen. **Varning: En tillbakadragningshastighet på 1-2 cm/ sekund rekommenderas när skarpa radier påträffas.** När sinusledaren når spetsen på den venösa introducern, släpp strömbrytaren för att stänga av den roterande dispersionsledaren.
14. Täck enheten och avlägsna den från den perifera vaskulaturen. Spola kateterlumen med hepariniserad saltlösning och avlägsna manuellt eventuellt ackumulerat fibrin från sinusledaren.
15. Aspirera den upplösta blodproppen via hylsan och kassera aspiratet. **Försiktighet: Fortsatt misslyckad aspiration kan få introducern och kärlet att kollapsa.**
16. Injicera en liten mängd kontrastmedel via den venösa introducern för att utvärdera den uppnådda graden av trombborttagning. **Varning: Undvik överinjicering av kontrastmedel för att minimera risken för embolisering.** Behandla resterande tromb genom att upprepa steg 11-15 tills en acceptabel trombborttagning har uppnåtts.
17. När trombborttagningen är klar, behandla eventuellt underliggande sjukdom eller stenosis enligt sjukhusets protokoll.
18. Utför det slutliga angiogrammet.
19. Avlägsna introducerna från den perifera vaskulaturen.
20. Skapa hemostas vid punktionsstället/ställena enligt sjukhusets protokoll.

Grafter och fistlar

INDIKATIONER FÖR ANVÄNDNING:

CLEANER 15™ Roterande trombektomisystem är indikerat för mekanisk trombupplösning av medfödda kärldialysfistlar och syntetiska grafter för dialysåtkomst.

KONTRAINDIKATIONER:

CLEANER 15™ Roterande trombektomisystem är kontraindikerat i följande fall:

- När, enligt läkarens medicinska omdöme, en sådan procedur kan äventyra patientens tillstånd.
- I nativa kärl mindre än 6 mm i diameter
- Befintlig infektion av ställe för hemodialysåtkomst.
- Omogna nativa kärldialysfistlar (fistlar som inte har använts för minst en hemodialysbehandling).

VARNINGAR OCH FÖRSIKTIGHETSÅTGÄRDER:

- Före användning, läs alla varningar, försiktighetsåtgärder och instruktioner i förpackningens bilaga. Underlåtenhet att göra detta kan leda till allvarliga patientskador och dödsfall.
- Dessa procedurer bör endast utföras av läkare och personal som har god kännedom om utrustningen och gällande teknik. Enheten har steriliserats med ETO och är steril såvida inte förpackningen är öppnad eller skadad. Förpackningen ska undersökas före användning: om den är skadad, ANVÄND INTE PRODUKTEN. Enheten är avsedd för användning på endast en patient: enheten får INTE ÅTERANVÄNDAS ELLER OMSTERILISERAS.
- Före användning, inspektera noga CLEANER 15™ Roterande trombektomisystem för att verifiera att det inte har skadats under transporten. Om produktkomponenterna visar tecken på skador, ANVÄND INTE PRODUKTEN.
- På grund av risken för exponering för HIV (Human Immunodeficiency Virus) eller andra blodburna patogener bör vårdpersonal rutinmässigt använda universella blod- och kroppsvätskeskydd i vården av alla patienter. Steril teknik måste användas i all hantering av enheten.
- Läkare måste känna till möjliga komplikationer associerade med dialysfistlar och grafftrombolys, inklusive:
 - Blödning
 - Symptomatisk pulmonell emboli
 - Arteriell embolisering
 - Allergisk reaktion på kontrastmedel
 - Pseudoaneurysm
 - Smärta och/eller ömhet
 - Kärlslitage eller brott
 - Infektion
 - Perforation av artären eller venen
 - Hematom
 - Dödsfall
- Försiktighet bör iaktas när pluggen lossas vid den arteriella anastomosen för att minimera risken för arteriell embolisering.
- På grund av bristen på utsöndring associerad med hemodialyspatienter bör användningen av kontrastmedel hållas på ett minimum under denna procedur.
- Potentiellt utmattningsfel hos CLEANER 15™ sinusledare kan inträffa vid långvarig aktivering av CLEANER 15™-enheten. En tillbakadragningshastighet på 1-2 cm/ sekund rekommenderas när skarpa radier påträffas (dvs. radie hos en slinggraft eller fistel, radie < 3 cm).

REKOMMENDERAD PROCEDUR:

Använd steril teknik.

Förberedelse av patient:

1. Förmedicinera med lämplig anxiolytikum, analgetikum och/eller antibiotika enligt sjukhusets protokoll.

Test av enhetens prestanda:

2. Plocka fram CLEANER 15™ Roterande trombektomisystem ur förpackningen. Tryck på strömbrytaren På/Av för att säkerställa att sinusledaren roterar fritt (se figur 2). Släpp strömbrytaren för att stoppa rotatorn. **Försiktighet: Använd inte enheten om den inte aktiveras omedelbart när strömbrytaren trycks in, och inaktiveras omedelbart när strömbrytaren släpps.**
3. Spola CLEANER 15™-katetern med hepariniserad saltlösning genom kateterlumens spolningsport. Återför avstängningskranen till Av-läget före användning.

Trombolysprocedur:

4. Genomför CLEANER 15™-trombolysproceduren under kontinuerlig fluoroskopi. Initiera inte rotation av sinusledaren (enhetsaktivering) såvida inte lämplig positionering av enheten har verifierats inom fisteln eller grafte.
5. Förbered och draper punktionsstället efter behov.
6. Administrera lokal anestetika vid punktionsstället för införing av venös hylsa.
7. Välj en introducer i lämplig storlek för att rymma CLEANER 15™-katetern och andra enheter/katetrar som kan komma att användas under proceduren. Maximal storlek på guideledaren beror på den introducer/dilatatornhet som väljs.
8. Förbered och placera den venösa introducer enligt sjukhusets protokoll. Den venösa introducern bör placeras i den venösa delen av grafte och riktas mot den venösa anastomosen. I fisteln kan placeringen av den venösa introducern vara valfri beroende på koaguleringen i kärlet. Om en venös introducer används bör den placeras i den venösa delen av fisteln och riktas mot det centrala venösa utflödet. Anmärkning: Om ingen venös introducer används i AV-fisteln, gå till steg 16.

Grafter och fistlar

9. Placera enheten i den täckta positionen genom att föra skjutreglaget till den distala positionen och vrida skjutreglaget för att låsa i den täckta positionen (se figur 3). I den täckta positionen bör endast den venösa ledarens flexibla spets sträcka ut från katetern. Enheten får inte aktiveras i den täckta positionen.
10. Stöd den flexibla spetsen mellan tummen och pekfingeret under införing genom hylsventilen. För in den täckta enheten genom den venösa introducern och in i den venösa delen av fisteln eller grafet.
11. I ett graft, för in den flexibla spetsen upp till den venösa anastomosen. **Varning: För inte in den bortom anastomosen.** I en fistel, för in den flexibla spetsen upp till den centrala största delen av blodproppen. Avtäck sinusledaren genom att låsa upp den, dra tillbaka skjutreglaget helt och vrida skjutreglaget tills du hör ett "klikk" (se figur 4). Verifiera enhetens positionering inom fisteln eller grafet via fluoroskopi. Tryck på strömbrytaren På/Av för att aktivera rotation.
Anmärkning: Försiktighet bör iaktas medan ledaren avtäckts för att undvika införing av ledaren i blodproppen och förbi anastomosen.
12. Med enheten aktiverad, dra sakta tillbaka den roterande sinusledaren längs grafet eller fisteln för att lösa upp blodproppen. **Varning: En tillbakadragningshastighet på 1-2 cm/sekund rekommenderas när skarpa radier påträffas.** När sinusledaren når spetsen på den venösa hylsan, släpp strömbrytaren för att stänga av rotatorn.
13. Täck enheten och avlägsna den från grafet eller fisteln. Spola kateterlumen med hepariniserad saltlösning och avlägsna manuellt eventuellt ackumulerat fibrin från sinusledaren.
14. Aspirera den upplösta blodproppen via hylsan och kassera aspiratet. **Försiktighet: Fortsatt misslyckad aspiration kan få introducern och grafet/fisteln att kollapsa.**
15. Injicera en liten mängd kontrastmedel via den venösa introducern för att utvärdera den uppnådda graden av trombborttagning. **Varning: Undvik överinjicering av kontrastmedel för att minimera risken för arteriell embolisering.** Behandla resterande tromb genom att upprepa steg 11-14 tills en acceptabel trombborttagning har uppnåtts.
16. Administrera lokal anestetika vid punktionsstället för införing av arteriell introducer. Förbered och placera den arteriella introducer enligt sjukhusets protokoll. Den arteriella introducern bör riktas mot den arteriella anastomosen. **Försiktighet: De arteriella och venösa introducerspetsarna får inte överlappa.**
17. Stöd den flexibla spetsen mellan tummen och pekfingeret under införing genom introducerventilen. För in den täckta enheten genom den arteriella introducern och in i den arteriella delen av fisteln eller grafet.
18. I ett graft, för in den flexibla spetsen upp till den arteriella anastomosen. **Varning: För inte in den bortom anastomosen.** I en fistel, för in den flexibla spetsen upp till den centrala största delen av blodproppen. Avtäck sinusledaren genom att låsa upp den, dra tillbaka skjutreglaget helt och vrida skjutreglaget tills du hör ett "klikk". Verifiera enhetens positionering inom fisteln eller grafet via fluoroskopi. Tryck på strömbrytaren På/Av för att aktivera rotation.
19. Med enheten aktiverad, dra sakta tillbaka den roterande sinusledaren, i den avtäckta positionen, längs grafet eller fisteln för att lösa upp blodproppen. **Varning: En tillbakadragningshastighet på 1-2 cm/sekund rekommenderas när skarpa radier påträffas.** När sinusledaren når spetsen på den arteriella introducern, släpp strömbrytaren för att stänga av rotatorn.
20. Täck enheten och avlägsna den från grafet eller fisteln. Spola kateterlumen med hepariniserad saltlösning och avlägsna manuellt eventuellt ackumulerat fibrin från sinusledaren.
21. Aspirera den upplösta blodproppen med endera hylsa och kassera aspiratet. **Försiktighet: Fortsatt misslyckad aspiration kan få hylsan och grafet/fisteln att kollapsa.**
22. För en lämplig kateter genom den arteriella hylsan, och för den försiktigt förbi grafets eller fistelns arteriella anastomos. Fyll ballongen, om det är en ballongkateter. Dra den arteriella pluggen in i mitten av den arteriella lemman. Töm ballongen och avlägsna ballongkatetern.
23. För på nytt in den täckta CLEANER 15™-enheten genom den arteriella introducern och in i den arteriella delen av grafet eller fisteln.
24. Avtäck sinusledaren och aktivera enheten för att lösa upp den arteriella pluggen, med användning av kontrastmedel för att vägleda upplösningen.
25. Täck enheten och avlägsna den från grafet eller fisteln. Spola kateterlumen med hepariniserad saltlösning och avlägsna manuellt eventuellt ackumulerat fibrin från sinusledaren.
26. Aspirera den upplösta blodproppen via hylsan och kassera aspiratet.
27. Injicera kontrastmedel för att utvärdera graden av trombborttagning. Behandla eventuellt kvarvarande tromb med CLEANER 15™ via endera introducer efter behov.
28. När trombborttagningen är klar, behandla eventuellt underliggande sjukdom eller stenos enligt sjukhusets protokoll.
29. Utför det slutliga fistulogrammet.
30. Avlägsna introducerna från fisteln eller grafet.
31. Skapa hemostas vid punktionsstället/ställena enligt sjukhusets protokoll.

VARNING:

Endast för engångsbruk. Denna enhet får ej återvändas, omarbetas eller omsteriliseras. Återanvändning, omarbetning eller omsterilisering kan äventyra enhetens strukturella integritet och/eller leda till fel hos enheten, vilket i sin tur kan resultera i patientskada, sjukdom eller dödsfall. Återanvändning, omarbetning eller omsterilisering kan också skapa en risk för kontaminering av enheten och/eller orsaka patientinfektion eller korsinfektion, inklusive, men ej begränsat till, överföring av smittsamma sjukdomar från en patient till en annan. Kontaminering av enheten kan leda till patientskada, sjukdom eller dödsfall.

FÖRVARING:

Produkten ska förvaras i rumstemperatur. Exponera inte produkten för organiska lösningsmedel, joniserande strålning eller UV-ljus.

KASSERING:

Kassera katetersystemet enligt WEEED-direktivet (Waste Electrical and Electronic Equipment Directive) och enligt institutionella standardprocedurer för medicinskt avfall, inklusive engångsprodukter som kommer i kontakt med blod.

FRISKRIVNINGSKLAUSUL OCH BEGRÄNSAD GOTTGÖRELSE:

Det finns inte någon uttrycklig eller underförstådd garanti, inklusive utan begränsning och underförstådd garanti om säljbarhet eller lämplighet för ett visst ändamål, för de produkter från Argon Medical som beskrivs i denna publikation. Under inga omständigheter skall Argon Medical hållas ansvarigt för några direkta eller oförutsedda skador eller följdskador utöver vad som uttryckligen anges i specifik lag. Ingen person har behörighet att binda Argon Medical vid någon representation eller garanti utöver vad som specifikt anges här.

Beskrivningar och specifikationer i Argon Medicals tryckta material, inklusive denna publikation, är endast avsedda att ge en allmän beskrivning av produkten vid tillverkningstillfället och utgör inte några uttryckliga garantier.

Argon Medical ansvarar inte för några direkta eller oförutsedda skador eller följdskador som uppstår genom återanvändning av produkten.



MEDICAL — GENERAL MEDICAL EQUIPMENT
AS TO ELECTRICAL SHOCK, FIRE AND MECHANICAL HAZARDS ONLY
IN ACCORDANCE WITH IEC60601-1 3rd Ed. & CAN/CSA-C22.2
NO. 60601.1 (2008), AAMI ES 60601-1:2008
4CR3



Symbolordlistan finns elektroniskt på
www.argonmedical.com/symbols



EMERGO EUROPE
Westervoortsedijk 60
6827 AT Arnhem
The Netherlands
+31 70 345 8570



ARGON MEDICAL DEVICES, INC.
1445 Flat Creek Road
Athens, Texas 75751 USA
Tel: +1 (903) 675 9321
Tel: +1 (800) 927 4669
www.argonmedical.com



Emergo Consulting (UK) Limited
c/o Cr 360 - UL International
Compass House, Vision Park Histon
Cambridge CB24 9BZ
United Kingdom

CLEANER 15™

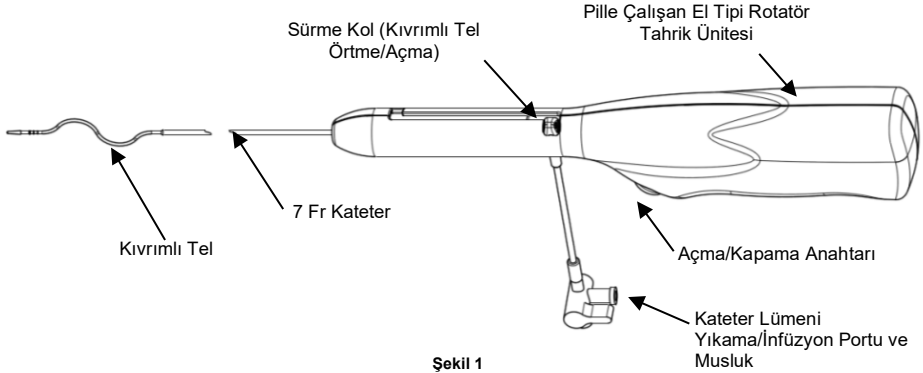
Rotational Thrombectomy System

Turkish - Kullanım öncesinde tüm talimatlar okunmalıdır

	sayfa
Periferik Vaskülatürde Kullanma Talimatları	1-4
Greftler ve Fistüllerde Kullanma Talimatları	5-6

CİHAZ AÇIKLAMASI:

CLEANER 15™ Rotational Thrombectomy System 7Fr perkütan kateter tabanlı bir sistemdir (tek parçalı yapı). Tek kullanımlık, pille çalışan el tipi rotatör tahrik ünitesi yaklaşık dakikada 4000 devirle dönen bir kıvrımlı tele bağlıdır. Tel ve atravmatik yumuşak ucu floroskopi görüntüleme açısından radyopaktır.



KULLANIM ENDİKASYONLARI:

CLEANER 15™ Rotational Thrombectomy System, periferik vaskülatürde mekanik pıhtılaşma giderme ve trombolitikler dahil olmak üzere doktor tarafından istenen sıvıların kontrollü ve seçici infüzyonu için endikedir.

KONTRENDİKASYONLAR:

CLEANER 15™ Rotational Thrombectomy System, aşağıda belirtilen durumlarda kontrendikedir:

- Bu sistem, doktorun tıbbi görüşüne göre böyle bir prosedürün hastanın durumunu tehlikeye atabileceği hallerde kontrendikedir.
- Periferik vaskülatür dilasyonu için tasarlanmamıştır.
- Bu sistem kan veya kan ürünlerinin infüzyonu için kullanılamaz.
- Endikasyonlar, kontrendikasyonlar, yan etkiler ve önlemler için seçilen terapötik çözümün prospektüsüne başvurun.
- Çapı 6 mm'den küçük yerel damarlarda
- İnferior vena kava filtresi gibi vasküler filtre olmayan hastalar.

Periferik Vaskülatür

UYARILAR VE ÖNLEMLER:

- Kullanım öncesinde ambalajın içinde verilen tüm uyarıları, önlemleri ve talimatları okuyun. Aksi takdirde hasta ciddi şekilde yaralanabilir veya ölebilir.
- Bu prosedürler sadece ilgili ekipman ve teknikleri bilen doktorlar ve personel tarafından gerçekleştirilmelidir. Cihaz, ETO tarafından sterilize edilmiş olup ambalajı açılmadıkça veya hasar görmedikçe sterilidir. Ambalaj kullanım öncesinde incelenmeli ve hasarlıysa KULLANILMAMALIDIR. Cihaz sadece tek bir hastada kullanılabilir. YENİDEN KULLANMAYIN VEYA YENİDEN STERİLİZE ETMEYİN.
- Kullanmadan önce nakliye sırasında hasar görmediğinden emin olmak için CLEANER 15™ Rotational Thrombectomy System'ı dikkatlice inceleyin. Ürün bileşenlerinde herhangi bir hasar belirtisi varsa KULLANMAYIN.
- HIV (İnsan Bağışıklık Yetmezliği Virüsü) veya kan yoluyla geçen başka patojenlere maruz kalma riski nedeniyle sağlık çalışanları tüm hastaların bakımında rutin olarak evrensel kan ve vücut sıvısı önlemlerini uygulamalıdır. Cihazı her türlü taşıyıcı steril tekniğine harfiyen uyulmalıdır.
- Dirençle karşılaştığınızda floroskopi altında direncin sebebini belirleyip gereken düzeltici işlemi yapmadan devam etmeyin. Direnç karşısında aşırı kuvvet uygulamak cihazın veya vaskülatürün hasar görmesine yol açabilir.
- Yerleştirmeden önce ve CLEANER 15™ vasküler sistemden her çıkarıldığında kateterin yıkanması gerekir.
- Kateter veya kılavuz tel kullanım sırasında bükülür veya başka şekilde hasar görürse kullanmayı bırakın ve değiştirin.
- Pratisyenler, aşağıdakiler dahil olmak üzere periferik vaskülatür tromboliz ile ilişkili potansiyel komplikasyonların farkında olmalıdır:
 - Damarda perforasyon veya ruptür
 - Damar spazmı
 - Hematom
 - Sepsis/Enfeksiyon
 - İntral parçalanma
 - Vasküler tromboz
 - Kontrast maddeye alerjik reaksiyon
 - Tromboembolik epizodlar
 - Kan pıhtılarında distal embolizasyon
 - Hemoraji
 - Ağrı ve hassasiyet
 - Tromboflebit
 - Arteriyel diseksiyon
 - İlaç reaksiyonları
 - Arteriyovenöz fistüller
 - Ampütasyon
- CLEANER 15™ cihazının uzun süre aktif durumda kalması halinde CLEANER 15™ kıvrımlı telde potansiyel yorgunluk arızası ortaya çıkabilir. Keskin yarıçaplarla (ömeğin yarıçapı < 3 cm olan düğüm grefti veya fistülü) karşılaştığında geri çekme hızı olarak 1-2 cm/saniye önerilir.

TAVSİYE EDİLEN PROSEDÜR:

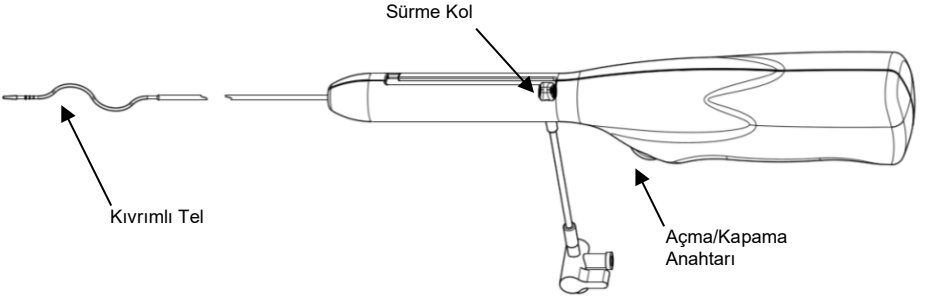
Steril tekniğini kullanın.

Hastanın Hazırlanması:

1. İlk olarak hastane protokolüne göre uygun anksiyolitik, analjezik ve/veya antibiyotik verin.

Cihaz Performans Testi:

2. CLEANER 15™ Rotational Thrombectomy System'ı ambalajından çıkarın. Kıvrımlı telin serbest bir biçimde dönmelerini sağlamak için AÇMA/KAPAMA anahtarına basın (bkz. Şekil 2). Rotatörü durdurmak için anahtarı bırakın. **Önem: Anahtara basıldığında hemen etkinleşmiyor ve anahtar bırakıldığında hemen devre dışı kalmıyorsa cihazı kullanmayın.**



Şekil 2

Periferik Vaskülatür

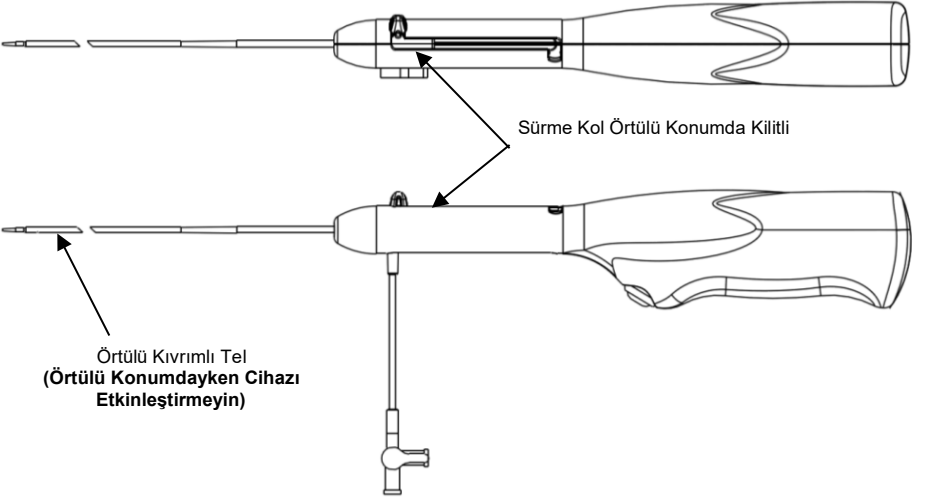
3. Kateter yıkama portuna bir şırınga terapötik ajan veya heparin salın takın ve CLEANER 15™ kateterini yıkayın. Sıvının, kateterin ucuna yakın olan en dıştaki kateter deliğinden çıktığından emin olun. Terapötik ajani veya heparini kateterin içinde "kilitlemek" için musluğu kapatın ve şırıngayı çıkarın.

Uygulama:

Tam uygulama prosedürü doktor tarafından belirlenmelidir. Aşağıda, prosedürün nasıl gerçekleştirileceğine dair bir seçenek sunulmaktadır.

4. Prosedürü sürekli floroskopi altında gerçekleştirin. Periferik vaskülatürde cihazın doğru şekilde konumlandırıldığı teyit edilmeden kıvrımlı tel rotasyonunu (cihaz etkinleştirme) başlatmayın.
5. Giriş yerini hazırlayın ve gerekirse örtün.
6. Venöz kılıf insersiyonu için giriş yerine lokal anestezi uygulayın.
7. CLEANER 15™ kateterin ve prosedür sırasında kullanılabilecek başka cihazların/kateterlerin sığabileceği büyüklükte bir kılıf seçin. Maksimum kılavuz tel boyutu seçilen introduser kılıf/dilatör tertibatına bağlıdır. İliak bifürkasyondan geçerken uzun, takviyeli kılıf kullanılmalıdır.
8. Venöz introduser kılıfını hastane protokolüne uygun olarak hazırlayın ve yerleştirin. Venöz kılıf periferik vaskülatürün venöz dalına yerleştirilmeli ve uygulama yerine yönlendirilmelidir. Venöz kılıf yerleşimi damardaki pıhtı yüküne bağlı olarak tercih edilebilir.
9. Cihazı örtülü haldeyken sürme kolu distal konuma bastırıp yerleştirin ve sürme kolu döndürerek örtülü konumda kilitleyin (bkz. Şekil 3). Örtülü konumdayken kıvrımlı telin sadece esnek ucu kateterin dışına çıkmalıdır. **Uyarı: Cihaz örtülü konumdayken etkinleştirilmemelidir.**
10. Kılıf valfi üzerinden yerleştirme sırasında esnek ucu başparmağınız ve işaret parmağınız arasında destekleyin. Örtülü cihazı venöz kılıftan geçirek periferik vaskülatürün venöz dalına yerleştirin.
11. İnfüzyon amaçlı terapötik ajan içeren 10 cc'lik bir şırıngayı musluğa takın. Akışı sağlamak için musluğu açın. **Uyarı: Katetere kan çekmeyin.**

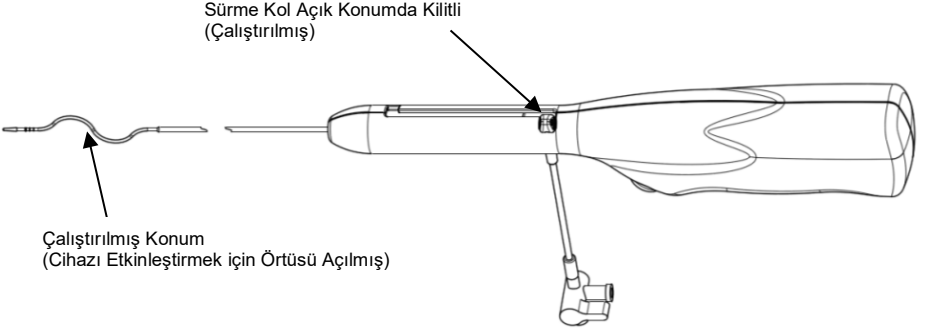
Not: Belirtilen sıvıların sulandırılması ve seyreltilmesi için üreticinin talimatlarını izleyin.



Şekil 3

12. Esnek ucu pıhtının en distal konumuna iletin. Kilidini açıp sürme kolu sonuna kadar geri çekin ve bir "klik" sesi duyulana kadar sürme kolu döndürerek kıvrımlı teli açın (bkz. Şekil 4). Floroskopi uygulayarak cihazın uygulama yerindeki konumunu teyit edin. Rotasyonu başlatmak için AÇMA/KAPAMA anahtarına basın.

Periferik Vaskülatür



Şekil 4

13. Cihaz etkinleştirilmiş haldeyken dönen kıvrımlı teli uygulama yeri üzerinde yavaşça geri çekerken aynı zamanda pıhtıyı açmak için infüzyon portundan terapötik ajan verin. **Uyarı: Keskin yarıçaplarla karşılaştığında geri çekme hızı olarak 1-2 cm/saniye önerilir.** Kıvrımlı tel venöz kılıfın ucuna ulaştığında dönen dispersiyon telini kapatmak için anahtarı bırakın.
14. Cihazı örtün ve periferik vaskülatürden çıkarın. Kateter lümenini heparinli salinle yıkayın ve kıvrımlı telde biriken fibrini manuel olarak temizleyin.
15. Yumuşayan pıhtıyı kılıf yoluyla aspire edin ve aspiratı atın. **Önem: Başarısız bir aspirasyona devam etmek kılıfın ve damarın çatlamasına yol açabilir.**
16. Gerçekleştirilen trombus temizliğinin seviyesini değerlendirmek için venöz kılıfı az miktarda kontrast madde enjekte edin. **Uyarı: Embolizasyon riskini en aza indirmek için kontrast maddeyi çok fazla enjekte etmekten kaçının.** Trombus temizliği kabul edilebilir seviyeye gelene kadar kalan trombus için 11-15 arası adımları tekrarlayın.
17. Trombus temizliği tamamlandıktan sonra sorunun temelindeki hastalığı veya stenozu hastane protokolüne göre tedavi edin.
18. Sonuç anjiyogramını uygulayın.
19. Kılıfları periferik vaskülatürden çıkarın.
20. Giriş yerlerinde hastane protokolüne göre hemostaz sağlayın.

Greftler ve Fistüller

KULLANIM ENDİKASYONLARI:

CLEANER 15™ Rotational Thrombectomy System, yerel damar diyalizi fistüllerinde ve sentetik diyaliz erişim greftlerinde mekanik pıhtılaşma giderme için endikedir.

KONTRENDİKASYONLAR:

CLEANER 15™ Rotational Thrombectomy System, aşağıda belirtilen durumlarda kontrendikedir:

- Doktorun tıbbi görüşüne göre böyle bir prosedürün hastanın durumunu tehlikeye atabileceği hallerde.
- Çapı 6 mm'den küçük yerel damarlarda
- Hemodiyaliz erişim yerinde mevcut enfeksiyon varken.
- İmmatür yerel damar diyaliz fistülleri (en az bir hemodiyaliz tedavisinde kullanılmayan fistüller).

UYARILAR VE ÖNLEMLER:

- Kullanım öncesinde ambalajın içinde verilen tüm uyarıları, önlemleri ve talimatları okuyun. Aksi takdirde hasta ciddi şekilde yaralanabilir veya ölebilir.
- Bu prosedürler sadece ilgili ekipman ve teknikleri bilen doktorlar ve personel tarafından gerçekleştirilmelidir. Cihaz, ETO tarafından sterilize edilmiş olup ambalajı açılmadıkça veya hasar görmedikçe sterilidir. Ambalaj kullanım öncesinde incelenmeli ve hasarlıysa KULLANILMAMALIDIR. Cihaz sadece tek bir hastada kullanılabilir. YENİDEN KULLANMAYIN VEYA YENİDEN STERİLİZE ETMEYİN.
- Kullanmadan önce nakliye sırasında hasar görmediğinden emin olmak için CLEANER 15™ Rotational Thrombectomy System'ı dikkatlice inceleyin. Ürün bileşenlerinde herhangi bir hasar belirtisi varsa KULLANMAYIN.
- HIV (İnsan Bağışıklık Yetmezliği Virüsü) veya kan yoluyla geçen başka patojenlere maruz kalma riski nedeniyle sağlık çalışanları tüm hastaların bakımında rutin olarak evrensel kan ve vücut sıvısı önlemlerini uygulamalıdır. Cihazı her türlü taşıyıcı steril tekniğine harfiyen uyulmalıdır.
- Pratisyenler, aşağıdakiler dahil olmak üzere diyaliz fistülü ve greft tromboliz ile ilişkili potansiyel komplikasyonların farkında olmalıdır:
 - Hemoraji
 - Semptomatik pulmoner embolizm
 - Arteriyel embolizasyon
 - Kontrast maddeye alerjik reaksiyon
 - Psödoanevrizma
 - Ağrı ve/veya hassasiyet
 - Damarda kopma veya parçalanma
 - Enfeksiyon
 - Atardamar veya toplardamarda delinme
 - Hematom
 - Ölüm
- Arteriyel embolizasyon riskini en aza indirmek için arteriyel anastomozdaki tıpayı yerinden çıkarırken dikkatli olun.
- Hemodiyaliz hastalarıyla ilişkili ekstrezyon bulunmadığı için bu prosedür boyunca kontrast madde kullanımı minimumda tutulmalıdır.
- CLEANER 15™ cihazının uzun süre aktif durumda kalması halinde CLEANER 15™ kıvrımlı telde potansiyel yorgunluk arızası ortaya çıkabilir. Keskin yarıçaplarla (örneğin yarıçapı < 3 cm olan düğüm grefti veya fistülü) karşılaşıldığında geri çekme hızı olarak 1-2 cm/saniye önerilir.

TAVSİYE EDİLEN PROSEDÜR:

Steril tekniğini kullanın.

Hastanın Hazırlanması:

1. İlk olarak hastane protokolüne göre uygun anksiyolitik, analjezik ve/veya antibiyotik verin.

Cihaz Performans Testi:

2. CLEANER 15™ Rotational Thrombectomy System'ı ambalajından çıkarın. Kıvrımlı telin serbest bir biçimde dönmelerini sağlamak için AÇMA/KAPAMA anahtarına basın (bkz. Şekil 2). Rotatörü durdurmak için anahtarı bırakın. **Önem:** **Anahtara basıldığında hemen etkinleşmiyor ve anahtar bırakıldığında hemen devre dışı kalmıyorsa cihazı kullanmayın.**
3. CLEANER 15™ kateteri, kateter lümeni yıkama portu üzerinden heparinli salinle yıkayın. Kullanım öncesinde musluğu kapalı konuma getirin.

Tromboliz Prosedürü:

4. CLEANER 15™ tromboliz prosedürünü sürekli floroskopi altında gerçekleştirin. Fistülden veya grefte cihazın doğru şekilde konumlandırıldığı teyit edilmeden kıvrımlı tel rotasyonunu (cihaz etkinleştirme) başlatmayın.
5. Giriş yerini hazırlayın ve gerekirse örtün.
6. Venöz kılıf insersiyonu için giriş yerine lokal anestezi uygulayın.
7. CLEANER 15™ kateterin ve prosedür sırasında kullanılacak başka cihazların/kateterlerin sığabileceği büyüklükte bir kılıf seçin. Maksimum kılavuz tel boyutu seçilen introduser kılıf/dilatör tertibatına bağlıdır.
8. Venöz introduser kılıfını hastane protokolüne uygun olarak hazırlayın ve yerleştirin. Venöz kılıf greftin venöz dalına yerleştirilmeli ve venöz anastomozla yönlendirilmelidir. Fistülden venöz kılıf yerleşimi damardaki pıhtı yüküne bağlı olarak tercih edilebilir. Bir

Greftler ve Fistüller

venöz kılıf kullanılacaksa bu, fistülün venöz dalına yerleştirilmeli ve merkezi venöz çıkışına yönlendirilmelidir. Not: AV fistülünde venöz kılıf kullanılmayacaksa 16. adıma geçin.

9. Cihazı örtülü haldeyken sürme kolu distal konuma bastırıp yerleştirin ve sürme kolu döndürerek örtülü konumda kilitleyin (bkz. Şekil 3). Örtülü konumdayken kıvrımlı telin sadece esnek ucu kateterin dışına çıkmalıdır. Cihaz örtülü konumdayken etkinleştirilmemelidir.
10. Kılıf valfi üzerinden yerleştirme sırasında esnek ucu başparmağınızın ve işaret parmağınız arasında destekleyin. Örtülü cihazı venöz kılıftan geçirerek fistülün veya greftin venöz dalına yerleştirin.
11. Greft içinde esnek ucu venöz anastomozu kadar ilerletin. **Uyarı: İlerletirken anastomozu geçmeyin.** Fistülden esnek ucu pihntinin en orta konumunun en dışına ilerletin. Kilitini açıp sürme kolu sonuna kadar geri çekin ve bir "klik" sesi duyulana kadar sürme kolu döndürerek kıvrımlı teli açın (bkz. Şekil 4). Floroskopi uygulayarak cihazın fistül veya greftteki konumunu teyit edin. Rotasyonu başlatmak için AÇMA/KAPAMA anahtarına basın.

Not: Teli pihntinin içine ve anastomozu geçecek şekilde ilerletmekten kaçınmak için telin örtüsünü açarken dikkatli olun.

12. Cihaz etkinleştirilmiş haldeyken pihntiyi açmak için dönen kıvrımlı teli greft veya fistül üzerinde yavaşça geri çekin. **Uyarı: Keskin yarıcılarla karşılaşıldığında geri çekme hızı olarak 1-2 cm/saniye önerilir.** Kıvrımlı tel venöz kılıfın ucuna ulaştığında dönen rotatörü kapatmak için anahtarı kapatın.
13. Cihazı örtün ve greften veya fistülden çıkarın. Kateter lümenini heparinli salinle yıkayın ve kıvrımlı telde biriken fibrini manuel olarak temizleyin.
14. Yumuşayan pihntiyi kılıf yoluyla aspire edin ve aspiratı atın. **Önem: Başarısız bir aspirasyona devam etmek kılıfın ve greftin/fistülün çatlamasına yol açabilir.**
15. Gerçekleştirilen trombus temizliğinin seviyesini değerlendirmek için venöz kılıfı az miktarda kontrast madde enjekte edin. **Uyarı: Arteriyel embolizasyon riskini en aza indirmek için çok fazla enjekte etmekten kaçınin.** Trombus temizliği kabul edilebilir seviyeye gelene kadar kalan trombus için 11-14 arası adımları tekrarlayın.
16. Arteriyel kılıf insersiyonu için giriş yerine lokal anestezi uygulayın. Arteriyel introduser kılıfını hastane protokolüne uygun olarak hazırlayın ve yerleştirin. Arteriyel kılıf arteriyel anastomozu doğru yönlendirilmelidir. **Önem: Arteriyel ve venöz kılıf uçları üst üste binmemelidir.**
17. Kılıf valfi üzerinden yerleştirme sırasında esnek ucu başparmağınızın ve işaret parmağınız arasında destekleyin. Örtülü cihazı arteriyel kılıftan geçirerek fistülün veya greftin arteriyel dalına yerleştirin.
18. Greft içinde esnek ucu arteriyel anastomozu kadar ilerletin. **Uyarı: İlerletirken anastomozu geçmeyin.** Fistülden esnek ucu pihntinin en orta konumunun en dışına ilerletin. Kilitini açıp sürme kolu sonuna kadar geri çekin ve bir "klik" sesi duyulana kadar sürme kolu döndürerek kıvrımlı teli açın. Floroskopi uygulayarak cihazın fistül veya greftteki konumunu teyit edin. Rotasyonu başlatmak için AÇMA/KAPAMA anahtarına basın.
19. Cihaz etkinleştirilmiş haldeyken pihntiyi açmak için örtüsü açılmış konumdaki dönen kıvrımlı teli greft veya fistül üzerinde yavaşça geri çekin. **Uyarı: Keskin yarıcılarla karşılaşıldığında geri çekme hızı olarak 1-2 cm/saniye önerilir.** Kıvrımlı tel arteriyel kılıfın ucuna ulaştığında dönen rotatörü kapatmak için anahtarı bırakın.
20. Cihazı örtün ve greften veya fistülden çıkarın. Kateter lümenini heparinli salinle yıkayın ve kıvrımlı telde biriken fibrini manuel olarak temizleyin.
21. Yumuşayan pihntiyi iki kılıftan birini kullanarak aspire edin ve aspiratı atın. **Önem: Başarısız bir aspirasyona devam etmek kılıfın ve greftin/fistülün çatlamasına yol açabilir.**
22. Arteriyel kılıftan uygun bir kateter geçirin ve bunu, greftin veya fistülün arteriyel anastomozunun ilerisine doğru besleyin. Balonlu kateter kullanılıyorsa balonu şişirin. Arteriyel tıpayı arteriyel dalın ortasına doğru çekin. Balonu söndürün ve balonlu kateteri çıkarın.
23. Örtülü CLEANER 15™ cihazını arteriyel kılıftan geçirerek greftin veya fistülün arteriyel dalına yerleştirin.
24. Kıvrımlı telin örtüsünü açın ve yumuşatmak için kontrast madde kullanırken arteriyel tıpayı açmak için cihazı çalıştırın.
25. Cihazı örtün ve greften veya fistülden çıkarın. Kateter lümenini heparinli salinle yıkayın ve kıvrımlı telde biriken fibrini manuel olarak temizleyin.
26. Yumuşayan pihntiyi kılıf yoluyla aspire edin ve aspiratı atın.
27. Trombus temizliğinin seviyesini değerlendirmek için kontrast madde enjekte edin. Kalan trombus artıklarını gereken şekilde iki kateterden biri üzerinden CLEANER 15™ cihazını kullanarak temizleyin.
28. Trombus temizliği tamamlandıktan sonra sorunun temelindeki hastalığı veya stenozu hastane protokolüne göre tedavi edin.
29. Sonuç fistülogramını uygulayın.
30. Kılıfları fistülden veya greften çıkarın.
31. Giriş yerlerinde hastane protokolüne göre hemostaz sağlayın.

UYARI:

Sadece tek kullanımlıktır. Yeniden kullanmayın, yeniden işlemeyin veya yeniden sterilize etmeyin. Yeniden kullanma, yeniden işleme veya yeniden sterilize etme cihazın yapısal bütünlüğünü bozabilir ve/veya cihazın arızalanmasına ve bunun sonucunda hastanın yaralanmasına, hastalanmasına veya ölmesine sebep olabilir. Yeniden kullanma, yeniden işleme veya yeniden sterilize etme ayrıca cihazda kontaminasyon riskine ve/veya bir hastadan diğerine bulaşıcı hastalık geçmesi dahil ancak bununla sınırlı olmamak üzere hastada enfeksiyona veya çapraz kontaminasyona da yol açabilir. Cihazın kontamine olması hastanın yaralanmasına, hastalanmasına veya ölmesine sebep olabilir.

SAKLAMA:

Kontrollü oda sıcaklığında saklayın. Organik solventlere, iyonizan radyasyona veya ultraviyole ışınlarına maruz bırakmayın.

ATMA İŞLEMİ:

Kateter sistemini Atık Elektrikli Ve Elektronik Cihazlar Yönergesine (WEEED) ve kanla temas eden tek kullanımlık cihazlar dahil olmak üzere tıbbi atıklar hakkındaki standart kuruluş prosedürlerine göre atın.

GARANTİNİN REDDİ VE SORUMLULUĞUN SINIRLANDIRILMASI:

Bu belgede açıklanan Argon Medical ürünlerinin ticarileştirilebilirliği veya belirli bir amaca uygunluğu ile ilgili örtülü garantiler dahil ancak bunlarla sınırlı olmamak üzere hiçbir açık ya da örtülü garanti verilmaz. Argon Medical, ilgili yasalarca açıkça belirtilenler dışında hiçbir koşulda doğrudan, tesadüfi ya da sonuç olarak ortaya çıkan hasarlardan sorumlu tutulamaz. Hiç kimse, burada açıkça belirtilenler dışında Argon Medical'i bağlayıcı bir garanti veya beyanda bulunma yetkisine sahip değildir.

Bu belge dahil olmak üzere Argon Medical'in basılı materyallerinde yer alan açıklama veya teknik özellikler sadece üretim zamanı itibarıyla ürünü genel olarak açıklama amacına yönelik olup hiçbir şekilde açık garanti yerine geçmez.

Argon Medical, ürünün yeniden kullanılmasından kaynaklanan doğrudan, tesadüfi ya da sonuç olarak ortaya çıkan hasarlardan sorumlu tutulamaz.



MEDICAL — GENERAL MEDICAL EQUIPMENT
AS TO ELECTRICAL SHOCK, FIRE AND MECHANICAL HAZARDS ONLY
IN ACCORDANCE WITH IEC60601-1 3rd Ed. & CAN/CSA-C22.2
NO. 60601.1 (2008), AAMI ES 60601-1:2008
4CR3



Semboller sözlüğü elektronik ortamda
www.argonmedical.com/symbols adresinde yer almaktadır



EMERGO EUROPE
Westervoortsedijk 60
6827 AT Arnhem
The Netherlands
+31 70 345 8570



ARGON MEDICAL DEVICES, INC.
1445 Flat Creek Road
Athens, Texas 75751 USA
Tel: +1 (903) 675 9321
Tel: +1 (800) 927 4669
www.argonmedical.com



Emergo Consulting (UK) Limited
c/o Cr 360 - UL International
Compass House, Vision Park Histon
Cambridge CB24 9BZ
United Kingdom

P/N: P-1015-0109-EU
Date of Issue: 08/25/2023 Rev. B